

Dual Voltage Monitor with Integrated CPU Supervisor and System Battery Switch

FEATURES

- Dual voltage detection and reset assertion
 - Three standard reset threshold settings (4.6V/2.9V, 4.6V/2.6V, 2.9V/1.6V)
 - V_{TRIP2} programmable down to 0.9V
 - Adjust low voltage reset threshold voltages using special programming sequence
 - Reset signal valid to $V_{CC} = 1V$
 - Monitor two voltages or detect power fail
- Battery switch backup
- V_{OUT} : 5mA to 50mA from V_{CC} ; 250 μ A from V_{BATT}
- Fault detection register
- Selectable power-on reset timeout (0.05s, 0.2s, 0.4s, 0.8s)
- Selectable watchdog timer interval (25ms, 200ms, 1.4s, off)
- Debounced manual reset input
- Low power CMOS
 - 25 μ A typical standby current, watchdog on
 - 6 μ A typical standby current, watchdog off
 - 1 μ A battery current in backup mode
- 400kHz 2-wire interface
- 2.7V to 5.5V power supply operation
- Available packages
 - 14-lead SOIC, TSSOP
- Monitor voltages: 5V to 1.6V
- Memory security
- Pb-free plus anneal available (RoHS compliant)

APPLICATIONS

- Communications equipment
 - Routers, hubs, switches
 - Disk arrays
- Industrial systems
 - Process control
 - Intelligent instrumentation
- Computer systems
 - Desktop computers
 - Network servers

X40020, X40021

| Standard V_{TRIP1} Level | Standard V_{TRIP2} Level | Suffix |
|----------------------------|----------------------------|--------|
| 4.6V ($\pm 1\%$) | 2.9V ($\pm 1.7\%$) | -A |
| 4.6V ($\pm 1\%$) | 2.6V ($\pm 2\%$) | -B |
| 2.9V ($\pm 1.7\%$) | 1.6V ($\pm 3\%$) | -C |

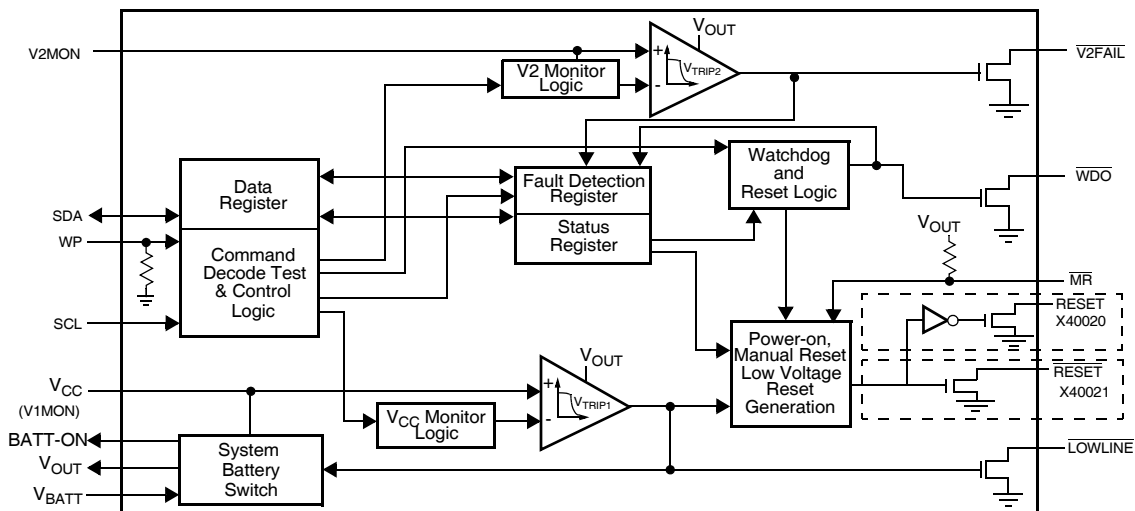
See "Ordering Information" for more details
For Custom Settings, call Intersil.

DESCRIPTION

The X40020 combines power-on reset control, watchdog timer, supply voltage supervision, and secondary supervision, and manual reset, in one package. This combination lowers system cost, reduces board space requirements, and increases reliability.

Applying voltage to V_{CC} activates the power-on reset circuit which holds $\overline{RESET}/\overline{RESET}$ active for a period of time. This allows the power supply and system oscillator to stabilize before the processor can execute code.

BLOCK DIAGRAM



X40020, 40021

Ordering Information

| PART NUMBER* WITH RESET | PART MARKING | PART NUMBER* WITH RESET | PART MARKING | MONITORED V _{CC} SUPPLIES | V _{TRIP1} RANGE (mV) | V _{TRIP2} RANGE (mV) | TEMP. RANGE (°C) | PACKAGE | PKG. DWG. # | | |
|-------------------------|--------------|-------------------------|--------------|------------------------------------|--------------------------------|-------------------------------|------------------|--------------------------------|-------------|--------------------------------|---------|
| X40020S14-C | X40020S C | X40021S14-C | X40021S C | 1.6 to 3.6 | 2.9 ±50 | 1.6 ±50 | 0 to 70 | 14 Ld SOIC (150 mil) | MDP0027 | | |
| X40020S14I-C | X40020S IC | X40021S14I-C | X40021S IC | | | | -40 to +85 | 14 Ld SOIC (150 mil) | MDP0027 | | |
| X40020V14-C | X4002 0VC | X40021V14-C | X4002 1VC | | | | 0 to 70 | 14 Ld TSSOP (4.4mm) | M14.173 | | |
| X40020V14I-C | X4002 0VIC | X40021V14I-C | X4002 1VIC | | | | -40 to +85 | 14 Ld TSSOP (4.4mm) | M14.173 | | |
| X40020S14-B | X40020S B | X40021S14-B | X40021S B | 2.6 to 5.5 | 4.6 ±50 | 2.6 ±50 | 0 to 70 | 14 Ld SOIC (150 mil) | MDP0027 | | |
| X40020S14Z-B (Note) | X40020S ZB | X40021S14Z-B (Note) | X40021S ZB | | | | 0 to 70 | 14 Ld SOIC (150 mil) (Pb-free) | MDP0027 | | |
| X40020S14I-B | X40020S IB | X40021S14I-B | X40021S IB | | | | -40 to +85 | 14 Ld SOIC (150 mil) | MDP0027 | | |
| X40020S14IZ-B (Note) | X40020S ZIB | X40021S14IZ-B (Note) | X40021S ZIB | | | | -40 to +85 | 14 Ld SOIC (150 mil) (Pb-free) | MDP0027 | | |
| X40020V14-B | X4002 0VB | X40021V14-B | X4002 1VB | | | | 0 to 70 | 14 Ld TSSOP (4.4mm) | M14.173 | | |
| X40020V14Z-B (Note) | X4002 0VZB | X40021V14Z-B (Note) | X4002 1VZB | | | | 0 to 70 | 14 Ld TSSOP (4.4mm) (Pb-free) | M14.173 | | |
| X40020V14I-B | X4002 0VIB | X40021V14I-B | X4002 1VIB | | | | -40 to +85 | 14 Ld TSSOP (4.4mm) | M14.173 | | |
| X40020V14IZ-B (Note) | X4002 0VZIB | X40021V14IZ-B (Note) | X4002 1VZIB | | | | -40 to +85 | 14 Ld TSSOP (4.4mm) (Pb-free) | M14.173 | | |
| X40020S14-A | X40020S A | X40021S14-A | X40021S A | | | | 2.9 to 5.5 | 2.9 ±50 | 0 to 70 | 14 Ld SOIC (150 mil) | MDP0027 |
| X40020S14Z-A (Note) | X40020S ZA | X40021S14Z-A (Note) | X40021S ZA | | | | | | 0 to 70 | 14 Ld SOIC (150 mil) (Pb-free) | MDP0027 |
| X40020S14I-A | X40020S IA | X40021S14I-A | X40021S IA | -40 to +85 | 14 Ld SOIC (150 mil) | MDP0027 | | | | | |
| X40020S14IZ-A (Note) | X40020S ZIA | X40021S14IZ-A (Note) | X40021S ZIA | -40 to +85 | 14 Ld SOIC (150 mil) (Pb-free) | MDP0027 | | | | | |
| X40020V14-A | X4002 0VA | X40021V14-A | X4002 1VA | 0 to 70 | 14 Ld TSSOP (4.4mm) | M14.173 | | | | | |
| X40020V14Z-A (Note) | X4002 0VZA | X40021V14Z-A (Note) | X4002 1VZA | 0 to 70 | 14 Ld TSSOP (4.4mm) (Pb-free) | M14.173 | | | | | |
| X40020V14I-A | X4002 0VIA | X40021V14I-A | X4002 1VIA | -40 to +85 | 14 Ld TSSOP (4.4mm) | M14.173 | | | | | |
| X40020V14IZ-A (Note) | X4002 0VZIA | X40021V14IZ-A (Note) | X4002 1VZIA | -40 to +85 | 14 Ld TSSOP (4.4mm) (Pb-free) | M14.173 | | | | | |

*Add "T1" suffix for tape and reel.

NOTE: Intersil Pb-free plus anneal products employ special Pb-free material sets; molding compounds/die attach materials and 100% matte tin plate termination finish, which are RoHS compliant and compatible with both SnPb and Pb-free soldering operations. Intersil Pb-free products are MSL classified at Pb-free peak reflow temperatures that meet or exceed the Pb-free requirements of IPC/JEDEC J STD-020.

X40020, 40021

Low V_{CC} detection circuitry protects the user's system from low voltage conditions, resetting the system when V_{CC} falls below the minimum V_{TRIP1} point. RESET/RESET is active until V_{CC} returns to proper operating level and stabilizes. A second voltage monitor circuit tracks the unregulated supply to provide a power fail warning or monitors different power supply voltage. Three common low voltage combinations are available. However, Intersil's unique circuits allows the threshold for either voltage monitor to be reprogrammed to meet specific system level requirements or to fine-tune the threshold for applications requiring higher precision.

A manual reset input provides debounce circuitry for minimum reset component count.

A battery switch circuit compares V_{CC} with V_{BATT} input and connects V_{OUT} to whichever is higher. This provides voltage to external SRAM or other circuits in the event of main power failure. The X40020/21 can drive

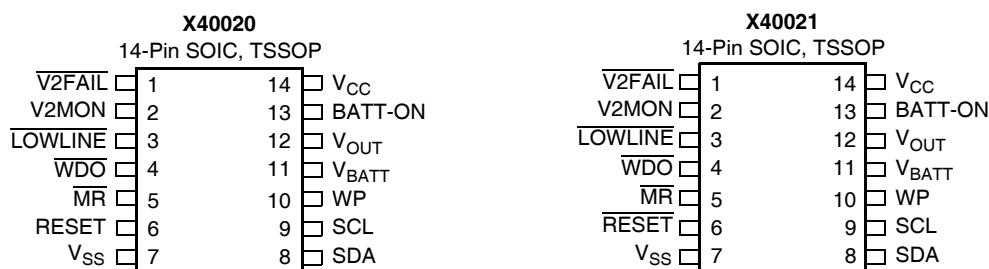
50mA from V_{CC} to 250 μ A from V_{BATT} . The device only switches to V_{BATT} when V_{CC} drops below the low V_{CC} voltage threshold and V_{BATT} .

The Watchdog Timer provides an independent protection mechanism for microcontrollers. When the microcontroller fails to restart a timer within a selectable time out interval, the device activates the \overline{WDO} signal. The user selects the interval from three preset values. Once selected, the interval does not change, even after cycling the power.

The device features an 2-wire interface and software protocol allowing operation on a two-wire bus.

The device utilizes Intersil's proprietary Direct Write™ cell, providing a minimum endurance of 100,000 cycles and a minimum data retention of 100 years.

PIN CONFIGURATION



PIN DESCRIPTION

| Pin | Name | Function |
|-----|----------------------|--|
| 1 | $\overline{V2FAIL}$ | V2 Voltage Fail Output. This open drain output goes LOW when V2MON is less than V_{TRIP2} and goes HIGH when V2MON exceeds V_{TRIP2} . There is no power-up reset delay circuitry on this pin. |
| 2 | V2MON | V2 Voltage Monitor Input. When the V2MON input is less than the V_{TRIP2} voltage, $\overline{V2FAIL}$ goes LOW. This input can monitor an unregulated power supply with an external resistor divider or can monitor a second power supply with no external components. Connect V2MON to V_{SS} or V_{CC} when not used. |
| 3 | $\overline{LOWLINE}$ | Early Low V_{CC} Detect. This open drain output signal goes LOW when $V_{CC} < V_{TRIP1}$. When $V_{CC} > V_{TRIP1}$, this pin is pulled high with the use of an external pull up resistor. |
| 4 | \overline{WDO} | \overline{WDO} Output. \overline{WDO} is an active LOW, open drain output which goes active whenever the watchdog timer goes active. |
| 5 | \overline{MR} | Manual Reset Input. Pulling the \overline{MR} pin LOW initiates a system reset. The RESET/RESET pin will remain HIGH/LOW until the pin is released and for the t_{PURST} thereafter. It has an internal pull up resistor. |
| 6 | RESET/RESET | RESET Output. (X40021) This open drain pin is an active LOW output which goes LOW whenever V_{CC} falls below V_{TRIP1} voltage or if manual reset is asserted. This output stays active for the programmed time period (t_{PURST}) on power-up. It will also stay active until manual reset is released and for t_{PURST} thereafter. RESET Output. (X40020) This pin is an active HIGH open drain output which goes HIGH whenever V_{CC} falls below V_{TRIP1} voltage or if manual reset is asserted. This output stays active for the programmed time period (t_{PURST}) on power-up. It will also stay active until manual reset is released and for t_{PURST} thereafter. |

X40020, 40021

PIN DESCRIPTION (Continued)

| Pin | Name | Function |
|-----|-------------------|---|
| 7 | V _{SS} | Ground |
| 8 | SDA | <p>Serial Data. SDA is a bidirectional pin used to transfer data into and out of the device. It has an open drain output and may be wire ORed with other open drain or open collector outputs. This pin requires a pull up resistor and the input buffer is always active (not gated).</p> <p>Watchdog Input. A HIGH to LOW transition on the SDA (while SCL is toggled from HIGH to LOW and followed by a stop condition) restarts the Watchdog timer. The absence of this transition within the watchdog time out period results in \overline{WDO} going active.</p> |
| 9 | SCL | Serial Clock. The Serial Clock controls the serial bus timing for data input and output. |
| 10 | WP | Write Protect. WP HIGH prevents writes to any location in the device (including all the registers). It has an internal pull down resistor. (>10M Ω typical) |
| 11 | V _{BATT} | Battery Supply Voltage. This input provides a backup supply in the event of a failure of the primary V _{CC} voltage. The V _{BATT} voltage typically provides the supply voltage necessary to maintain the contents of SRAM and also powers the internal logic to “stay awake.” If the battery is not used, connect V _{BATT} to ground. |
| 12 | V _{OUT} | <p>Output Voltage. (V)</p> <p>$V_{OUT} = V_{CC}$ if $V_{CC} > V_{TRIP1}$.</p> <p>IF $V_{CC} < V_{TRIP1}$</p> <p style="padding-left: 20px;">then $V_{OUT} = V_{CC}$ if $V_{CC} > V_{BATT} + 0.03V$</p> <p style="padding-left: 20px;">else $V_{OUT} = V_{BATT}$ (ie if $V_{CC} < V_{BATT} - 0.03V$)</p> <p>Note: There is hysteresis around V_{BATT} \pm 0.03V point to avoid oscillation at or near the switchover voltage. A capacitance of 0.1μF must be connected to V_{OUT} to ensure stability.</p> |
| 13 | BATT-ON | <p>Battery On. This CMOS output goes HIGH when the V_{OUT} switches to V_{BATT} and goes LOW when V_{OUT} switches to V_{CC}. It is used to drive an external PNP pass transistor when V_{CC} = V_{OUT} and current requirements are greater than 50mA.</p> <p>The purpose of this output is to drive an external transistor to get higher operating currents when the V_{CC} supply is fully functional. In the event of a V_{CC} failure, the battery voltage is applied to the V_{OUT} pin and the external transistor is turned off. In this “backup condition,” the battery only needs to supply enough voltage and current to keep SRAM devices from losing their data—there is no communication at this time.</p> |
| 14 | V _{CC} | Supply Voltage |

PRINCIPLES OF OPERATION

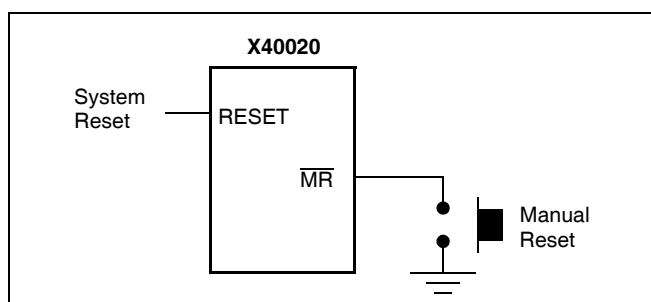
Power-on Reset

Applying power to the X40020/21 activates a Power-on Reset Circuit that pulls the RESET/RESET pins active. This signal provides several benefits.

- It prevents the system microprocessor from starting to operate with insufficient voltage.
- It prevents the processor from operating prior to stabilization of the oscillator.
- It allows time for an FPGA to download its configuration prior to initialization of the circuit.
- It prevents communication to the EEPROM, greatly reducing the likelihood of data corruption on power-up.

When V_{CC} exceeds the device V_{TRIP1} threshold value for t_{PURST} (selectable) the circuit releases the RESET (X40021) and RESET (X40020) pin allowing the system to begin operation.

Figure 1. Connecting a Manual Reset Push-Button



Manual Reset

By connecting a push-button directly from MR to ground, the designer adds manual system reset capability. The MR pin is LOW while the push-button is closed and RESET/RESET pin remains LOW for t_{PURST} or till the push-button is released and for t_{PURST} thereafter. A weak pull up resistor is connected to the MR pin.

Low Voltage V1 Monitoring

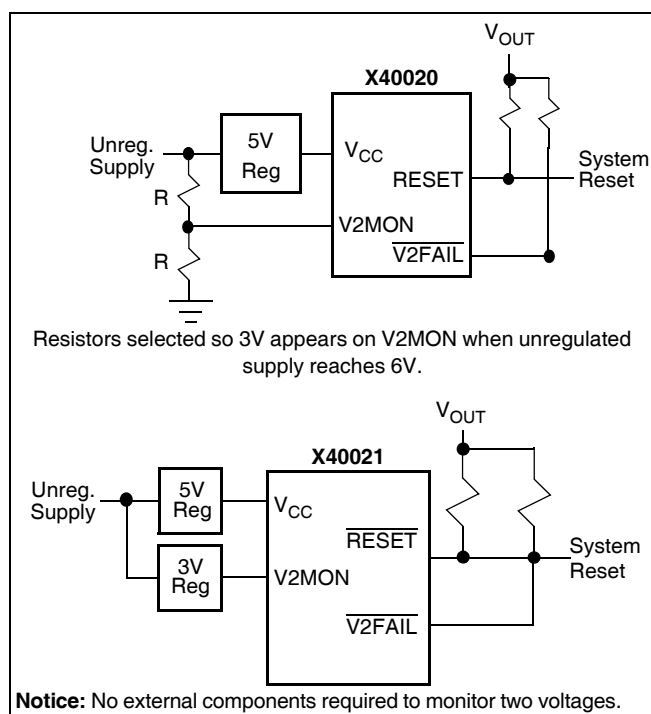
During operation, the X40020/21 monitors the V_{CC} level and asserts RESET if supply voltage falls below a preset minimum V_{TRIP1} . The RESET signal prevents the microprocessor from operating in a power fail or brownout condition. The V1FAIL signal remains active until the voltage drops below 1V. It also remains active until V_{CC} returns and exceeds V_{TRIP1} for t_{PURST} .

Low Voltage V2 Monitoring

The X40020/21 also monitors a second voltage level and asserts V2FAIL if the voltage falls below a preset minimum V_{TRIP2} . The V2FAIL signal is either ORed with RESET to prevent the microprocessor from operating in a power fail or brownout condition or used to interrupt the microprocessor with notification of an impending power failure. The V2FAIL signal remains active until the V_{CC} drops below 1V (V_{CC} falling). It also remains active until V2MON returns and exceeds V_{TRIP2} .

V2MON voltage monitor is powered by V_{OUT} . If V_{CC} and V_{BATT} go away, V2MON cannot be monitored.

Figure 2. Two Uses of Multiple Voltage Monitoring



WATCHDOG TIMER

The Watchdog Timer circuit monitors the microprocessor activity by monitoring the SDA and SCL pins. A standard read or write sequence to any slave address byte restarts the watchdog timer and prevents the WDO signal to go active. A minimum sequence to reset the watchdog timer requires four microprocessor instructions namely, a Start, Clock Low, Clock High and Stop. The state of two nonvolatile control bits in the Status Register determine the watchdog timer period. The microprocessor can change these watchdog bits by writing to the X40020/21 control register (also refer to page 21).

Figure 3. V_{TRIPX} Set/Reset Conditions

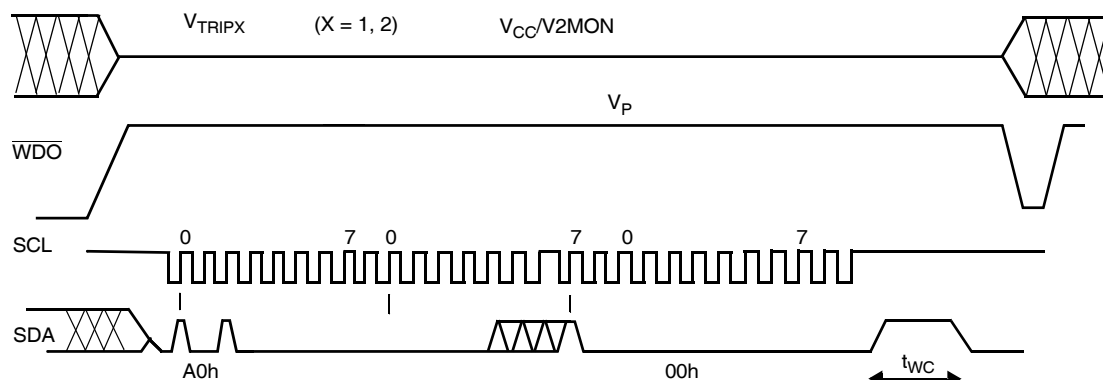
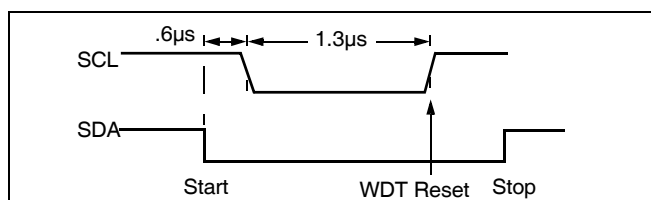


Figure 4. Watchdog Restart



V1 AND V2 THRESHOLD PROGRAM PROCEDURE (OPTIONAL)

The X40020/21 is shipped with standard V1 and V2 threshold (V_{TRIP1} , V_{TRIP2}) voltages. These values will not change over normal operating and storage conditions. However, in applications where the standard thresholds are not exactly right, or if higher precision is needed in the threshold value, the X40020 trip points may be adjusted. The procedure is described below, and uses the application of a high voltage control signal.

Setting a V_{TRIPx} Voltage (x = 1, 2)

There are two procedures used to set the threshold voltages (V_{TRIPx}), depending if the threshold voltage to be stored is higher or lower than the present value. For example, if the present V_{TRIPx} is 2.9 V and the new V_{TRIPx} is 3.2 V, the new voltage can be stored directly into the V_{TRIPx} cell. If however, the new setting is to be lower than the present setting, then it is necessary to “reset” the V_{TRIPx} voltage before setting the new value.

Setting a Higher V_{TRIPx} Voltage (x = 1, 2)

To set a V_{TRIPx} threshold to a new voltage which is higher than the present threshold, the user must apply the desired V_{TRIPx} threshold voltage to the corresponding input pin ($V_{CC}(V1MON)$ or $V2MON$). Then, a program-ming voltage (V_P) must be applied to the \overline{WDO} pin before a START condition is set up on SDA. Next, issue on the SDA pin the Slave Address A0h, followed by the Byte Address 01h for V_{TRIP1} , and 09h for V_{TRIP2} , and a 00h Data Byte in order to program V_{TRIPx} .

The STOP bit following a valid write operation initiates the programming sequence. Pin \overline{WDO} must then be brought LOW to complete the operation.

To check if the V_{TRIPx} has been set, set $VXMON$ to a value slightly greater than V_{TRIPx} (that was previously set). Slowly ramp down $VXMON$ and observe when the corresponding outputs ($\overline{LOWLINE}$ and $\overline{V2FAIL}$) switch. The voltage at which this occurs is the V_{TRIPx} (actual).

CASE A

Now if the desired V_{TRIPx} is greater than the V_{TRIPx} (actual), then add the difference between V_{TRIPx} (desired) - V_{TRIPx} (actual) to the original V_{TRIPx} desired. This is your new V_{TRIPx} that should be applied to $VXMON$ and the whole sequence should be repeated again (see Figure 5).

CASE B

Now if the V_{TRIPx} (actual), is higher than the V_{TRIPx} (desired), perform the reset sequence as described in the next section. The new V_{TRIPx} voltage to be applied to $VXMON$ will now be: V_{TRIPx} (desired) - (V_{TRIPx} (actual) - V_{TRIPx} (desired)).

- Note:**
1. This operation does not corrupt the memory array.
 2. Set $V_{CC} = 5V$, when V_{TRIP2} is being programmed

Setting a Lower V_{TRIPx} Voltage (x = 1, 2)

In order to set V_{TRIPx} to a lower voltage than the present value, then V_{TRIPx} must first be “reset” according to the procedure described below. Once V_{TRIPx} has been “reset”, then V_{TRIPx} can be set to the desired voltage using the procedure described in “Setting a Higher V_{TRIPx} Voltage”.

Resetting the V_{TRIPx} Voltage

To reset a V_{TRIPx} voltage, apply the programming voltage (V_p) to the \overline{WDO} pin before a START condition is set up on SDA. Next, issue on the SDA pin the Slave Address A0h followed by the Byte Address 03h for V_{TRIP1} and 0Bh for V_{TRIP2} , followed by 00h for the Data Byte in order to reset V_{TRIPx} . The STOP bit following a valid write operation initiates the programming sequence. Pin \overline{WDO} must then be brought LOW to complete the operation.

After being reset, the value of V_{TRIPx} becomes a nominal value of 1.7V or lesser.

Note: This operation does not corrupt the registers.

System Battery Switch

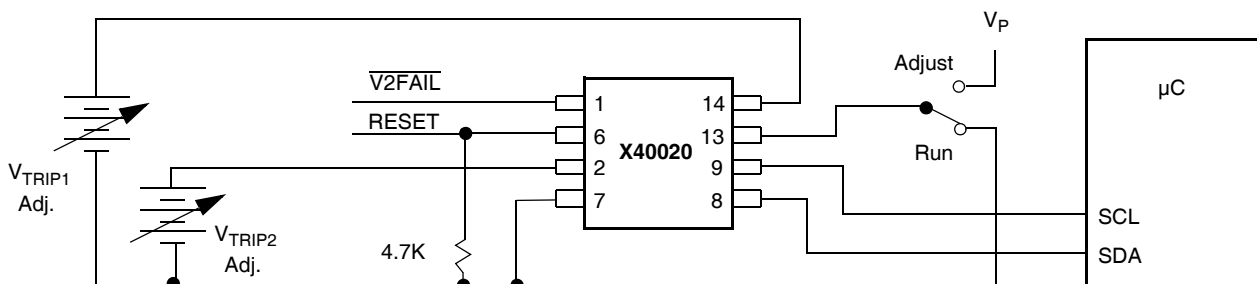
As long as V_{CC} exceeds the low voltage detect threshold V_{TRIP} , V_{OUT} is connected to V_{CC} through a 5Ω (typical) switch. When the V_{CC} has fallen below V_{TRIP} , then V_{CC} is applied to V_{OUT} if V_{CC} is or equal to or greater than $V_{BATT} - 0.03V$. When V_{CC} drops to less than $V_{BATT} - 0.03V$, then V_{OUT} is connected to V_{BATT} through an 80Ω (typical) switch. V_{OUT} typically supplies the system static RAM voltage, so the switchover circuit operates to protect the contents of the static RAM during a power failure. Typically, when V_{CC} has failed, the SRAMs go into a lower power state and draw much less current than in their active mode. When V_{CC} returns, V_{OUT} switches back to V_{CC} when V_{CC} exceeds $V_{BATT} + 0.03V$. There is a 60mV hysteresis around this battery switch threshold to prevent oscillations between supplies.

While V_{CC} is connected to V_{OUT} the BATT-ON pin is pulled LOW. The signal can drive an external PNP transistor to provide additional current to the external circuits during normal operation.

Operation

The device is in normal operation with V_{CC} as long as $V_{CC} > V_{TRIP1}$. It switches to the battery backup mode when V_{CC} goes away.

Figure 5. Sample V_{TRIP} Reset Circuit



| Condition | Mode of Operation |
|--|---|
| $V_{CC} > V_{TRIP1}$ | Normal Operation |
| $V_{CC} > V_{TRIP1}$ & $V_{BATT} = 0$ | Normal Operation without battery backup capability |
| $0 \leq V_{CC} \leq V_{TRIP1}$ and $V_{CC} < V_{BATT}$ | Battery Backup mode; RESET signal is asserted. No communication to the device is allowed. |

Control Register

The Control Register provides the user a mechanism for changing the Block Lock and Watchdog Timer settings. The Block Lock and Watchdog Timer bits are nonvolatile and do not change when power is removed.

The Control Register is accessed with a special preamble in the slave byte (1011) and is located at address 1FFh. It can only be modified by performing a byte write operation directly to the address of the register and only one data byte is allowed for each register write operation. Prior to writing to the Control Register, the WEL and RWEL bits must be set using a two step process, with the whole sequence requiring 3 steps. See "Writing to the Control Registers" on page 8.

The user must issue a stop, after sending this byte to the register, to initiate the nonvolatile cycle that stores WD1, WD0, PUP1, and PUP0. The X40020 will not acknowledge any data bytes written after the first byte is entered.

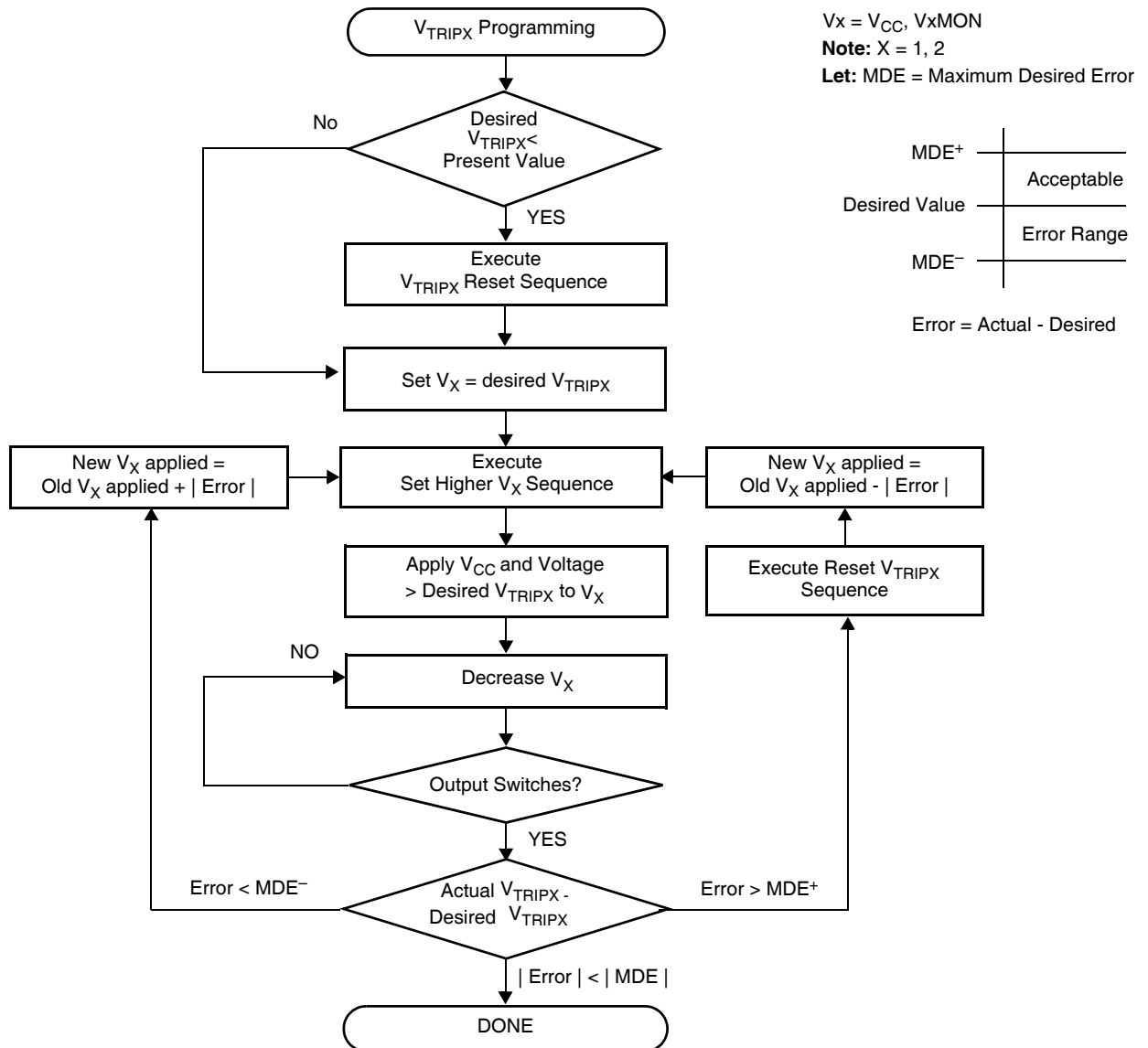
The state of the Control Register can be read at any time by performing a random read at address 01Fh, using the special preamble. Only one byte is read by each register read operation. The master should supply a stop condition to be consistent with the bus protocol, but a stop is not required to end this operation.

| 7 | 6 | 5 | 4 | 3 | 2 | 1 | 0 |
|------|-----|-----|---|---|------|-----|------|
| PUP1 | WD1 | WD0 | 0 | 0 | RWEL | WEL | PUP0 |

RWEL: Register Write Enable Latch (Volatile)

The RWEL bit must be set to "1" prior to a write to the Control Register.

Figure 6. V_{TRIPX} Set/Reset Sequence (X = 1, 2)



WEL: Write Enable Latch (Volatile)

The WEL bit controls the access to the memory and to the Register during a write operation. This bit is a volatile latch that powers up in the LOW (disabled) state. While the WEL bit is LOW, writes to any address, including any control registers will be ignored (no acknowledge will be issued after the Data Byte). The WEL bit is set by writing a “1” to the WEL bit and zeroes to the other bits of the control register.

Once set, WEL remains set until either it is reset to 0 (by writing a “0” to the WEL bit and zeroes to the other bits of the control register) or until the part powers up again. Writes to the WEL bit do not cause a high voltage write cycle, so the device is ready for the next operation immediately after the stop condition.

BP: Block Protect Bit (Nonvolatile)

The Block Protect Bits BP determines which blocks of the array are write protected. A write to a protected block of memory is ignored. The block protect bit will prevent write operations to half the array segment.

| BP | Protected Addresses (Size) | Memory Array Lock |
|----|----------------------------|----------------------------|
| 0 | None | None |
| 1 | 100h - 1FFh (256 bytes) | Upper Half of Memory Array |

PUP1, PUP0: Power-up Bits (Nonvolatile)

The Power-up bits, PUP1 and PUP0, determine the t_{PURST} time delay. The nominal power-up times are shown in the following table.

| PUP1 | PUP0 | Power-on Reset Delay (t_{PURST}) |
|------|------|--------------------------------------|
| 0 | 0 | 50ms |
| 0 | 1 | 200ms (default) |
| 1 | 0 | 400ms |
| 1 | 1 | 800ms |

WD1, WD0: Watchdog Timer Bits

The bits WD1 and WD0 control the period of the Watchdog Timer. The options are shown below.

| WD1 | WD0 | Watchdog Time Out Period |
|-----|-----|----------------------------|
| 0 | 0 | 1.4 seconds |
| 0 | 1 | 200 milliseconds |
| 1 | 0 | 25 milliseconds |
| 1 | 1 | disabled (factory default) |

Writing to the Control Registers

Changing any of the nonvolatile bits of the control and trickle registers requires the following steps:

- Write a 02H to the Control Register to set the Write Enable Latch (WEL). This is a volatile operation, so there is no delay after the write. (Operation preceded by a start and ended with a stop).
- Write a 06H to the Control Register to set the Register Write Enable Latch (RWEL) and the WEL bit. This is also a volatile cycle. The zeros in the data byte are required. (Operation preceded by a start and ended with a stop).

- Write a one byte value to the Control Register that has all the control bits set to the desired state. The Control register can be represented as $qxy0\ 001r$ in binary, where xy are the WD bits, and qr are the power-up bits. This operation preceded by a start and ended with a stop bit. Since this is a nonvolatile write cycle it will take up to 10ms to complete. The RWEL bit is reset by this cycle and the sequence must be repeated to change the nonvolatile bits again. If bit 2 is set to '1' in this third step ($qxy0\ 011r$) then the RWEL bit is set, but the WD1, WD0, PUP1, and PUP0, bits remain unchanged. Writing a second byte to the control register is not allowed. Doing so aborts the write operation and returns a NACK.

- A read operation occurring between any of the previous operations will not interrupt the register write operation.
- The RWEL bit cannot be reset without writing to the nonvolatile control bits in the control register, power cycling the device or attempting a write to a write protected block.

To illustrate, a sequence of writes to the device consisting of [02H, 06H, 02H] will reset all of the nonvolatile bits in the Control Register to 0. A sequence of [02H, 06H, 06H] will leave the nonvolatile bits unchanged and the RWEL bit remains set.

- Note:**
1. t_{PURST} is set to 200ms as factory default.
 2. Watchdog timer bits are shipped disabled.

Fault Detection Register (FDR)

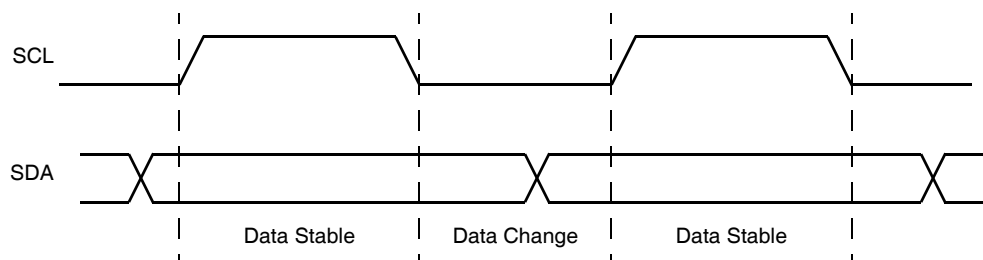
The Fault Detection Register provides the user the status of what causes the system reset active. The Manual Reset Fail, Watchdog Timer Fail and Three Low Voltage Fail bits are volatile.

| 7 | 6 | 5 | 4 | 3 | 2 | 1 | 0 |
|------|------|---|-----|-----|---|---|---|
| LV1F | LV2F | 0 | WDF | MRF | 0 | 0 | 0 |

The FDR is accessed with a special preamble in the slave byte (1011) and is located at address 0FFh. It can only be modified by performing a byte write operation directly to the address of the register and only one data byte is allowed for each register write operation.

There is no need to set the WEL or RWEL in the control register to access this fault detection register.

Figure 7. Valid Data Changes on the SDA Bus



At power-up, the Fault Detection Register is defaulted to all “0”. The system needs to initialize this register to all “1” before the actual monitoring take place. In the event of any one of the monitored sources failed. The corresponding bits in the register will change from a “1” to a “0” to indicate the failure. At this moment, the system should perform a read to the register and noted the cause of the reset. After reading the register the system should reset the register back to all “1” again. The state of the Fault Detection Register can be read at any time by performing a random read at address 0FFh, using the special preamble.

The FDR can be read by performing a random read at 0FFh address of the register at any time. Only one byte of data is read by the register read operation.

MRF, Manual Reset Fail Bit (Volatile)

The MRF bit will set to “0” when Manual Reset input goes active.

WDF, Watchdog Timer Fail Bit (Volatile)

The WDF bit will set to “0” when WDO goes active.

LV1F, Low V_{CC} Reset Fail Bit (Volatile)

The LV1F bit will be set to “0” when V_{CC} (V1MON) falls below V_{TRIP1}.

LV2F, Low V2MON Reset Fail Bit (Volatile)

The LV2F bit will be set to “0” when V2MON falls below V_{TRIP2}.

Interface Conventions

The device supports a bidirectional bus oriented protocol. The protocol defines any device that sends data onto the bus as a transmitter, and the receiving device as the receiver. The device controlling the transfer is called the master and the device being controlled is called the slave. The master always initiates data transfers, and provides the clock for both transmit and receive operations. Therefore, the devices in this family operate as slaves in all applications.

Serial Clock and Data

Data states on the SDA line can change only during SCL LOW. SDA state changes during SCL HIGH are reserved for indicating start and stop conditions. See Figure 7.

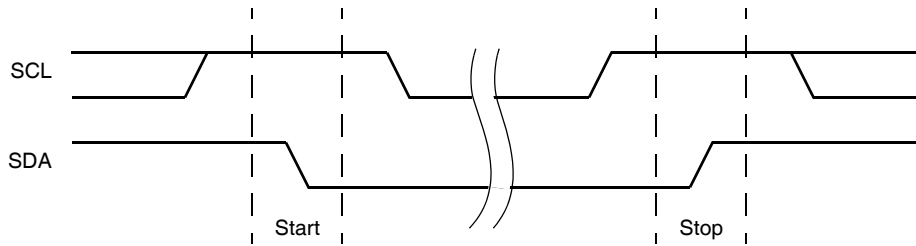
Serial Start Condition

All commands are preceded by the start condition, which is a HIGH to LOW transition of SDA when SCL is HIGH. The device continuously monitors the SDA and SCL lines for the start condition and will not respond to any command until this condition has been met. See Figure 8.

Serial Stop Condition

All communications must be terminated by a stop condition, which is a LOW to HIGH transition of SDA when SCL is HIGH. The stop condition is also used to place the device into the Standby power mode after a read sequence. A stop condition can only be issued after the transmitting device has released the bus. See Figure 8.

Figure 8. Valid Start and Stop Conditions



Serial Acknowledge

Acknowledge is a software convention used to indicate successful data transfer. The transmitting device, either master or slave, will release the bus after transmitting eight bits. During the ninth clock cycle, the receiver will pull the SDA line LOW to acknowledge that it received the eight bits of data. See Figure 9.

The device will respond with an acknowledge after recognition of a start condition and if the correct Device Identifier and Select bits are contained in the Slave Address Byte. If a write operation is selected, the device will respond with an acknowledge after the receipt of each subsequent eight bit word. The device will acknowledge all incoming data and address bytes, except for the Slave Address Byte when the Device Identifier and/or Select bits are incorrect.

In the read mode, the device will transmit eight bits of data, release the SDA line, then monitor the line for an acknowledge. If an acknowledge is detected and no stop condition is generated by the master, the device will continue to transmit data. The device will terminate further data transmissions if an acknowledge is not

detected. The master must then issue a stop condition to return the device to Standby mode and place the device into a known state.

Serial Write Operations

Byte Write

For a write operation, the device requires the Slave Address Byte and a Word Address Byte. This gives the master access to any one of the words in the array. After receipt of the Word Address Byte, the device responds with an acknowledge, and awaits the next eight bits of data. After receiving the 8 bits of the Data Byte, the device again responds with an acknowledge. The master then terminates the transfer by generating a stop condition, at which time the device begins the internal write cycle to the nonvolatile memory. During this internal write cycle, the device inputs are disabled, so the device will not respond to any requests from the master. The SDA output is at high impedance.

Figure 9. Acknowledge Response From Receiver

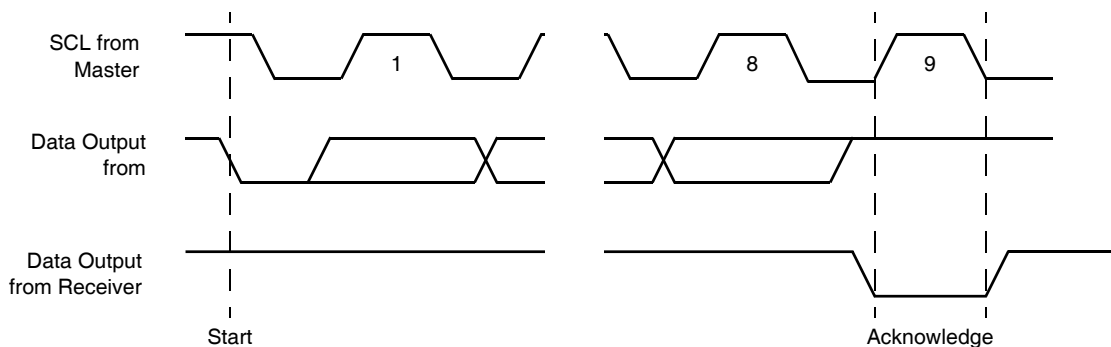
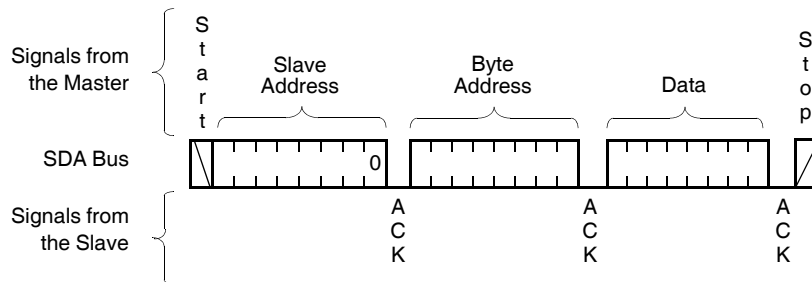


Figure 10. Byte Write Sequence



Stops and Write Modes

Stop conditions that terminate write operations must be sent by the master after sending at least 1 full data byte plus the subsequent ACK signal. If a stop is issued in the middle of a data byte, or before 1 full data byte plus its associated ACK is sent, then the device will reset itself without performing the write. The contents of the array will not be effected.

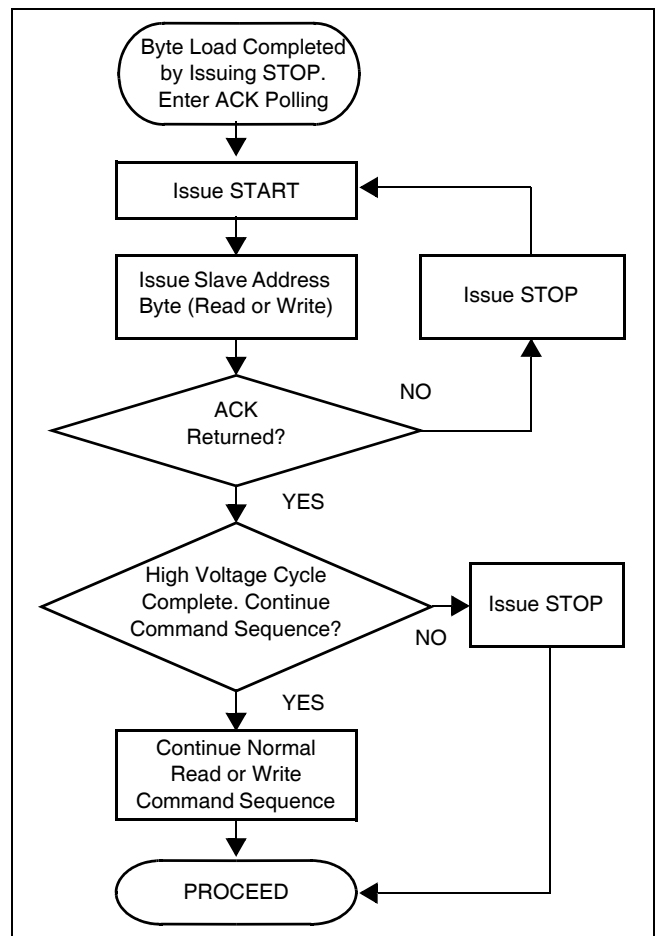
Acknowledge Polling

The disabling of the inputs during high voltage cycles can be used to take advantage of the typical 5ms write cycle time. Once the stop condition is issued to indicate the end of the master's byte load operation, the device initiates the internal high voltage cycle. Acknowledge polling can be initiated immediately. To do this, the master issues a start condition followed by the Slave Address Byte for a write or read operation. If the device is still busy with the high voltage cycle then no ACK will be returned. If the device has completed the write operation, an ACK will be returned and the host can then proceed with the read or write operation. See Figure 11.

Serial Read Operations

Read operations are initiated in the same manner as write operations with the exception that the R/W bit of the Slave Address Byte is set to one.

Figure 11. Acknowledge Polling Sequence



Read Operation

Prior to issuing the Slave Address Byte with the R/\bar{W} bit set to one, the master must first perform a “dummy” write operation. The master issues the start condition and the Slave Address Byte, receives an acknowledge, then issues the Word Address Bytes. After acknowledging receipts of the Word Address Bytes, the master immediately issues another start condition and the Slave Address Byte with the R/\bar{W} bit set to one. This is followed by an acknowledge from the device and then by the eight bit word. The master terminates the read operation by not responding with an acknowledge and then issuing a stop condition. See Figure 12 for the address, acknowledge, and data transfer sequence.

Slave Address Byte

Following a start condition, the master must output a Slave Address Byte. This byte consists of several parts:

- a device type identifier that is always “1011” when accessing the control register and fault detection register.
- two bits of “0”.
- one bit that becomes the MSB of the memory address X_4 .
- last bit of the slave command byte is a R/\bar{W} bit. The R/\bar{W} bit of the Slave Address Byte defines the operation to be performed. When the R/\bar{W} bit is a one, then a read operation is selected. A zero selects a write operation. See Figure 13.

SERIAL DEVICE ADDRESSING

Memory Address Map

CR, Control Register, CR7: CR0
Address: 1FF_{hex}

FDR, Fault Detection Register, FDR7: FDR0
Address: 0FF_{hex}

Figure 12. Read Sequence

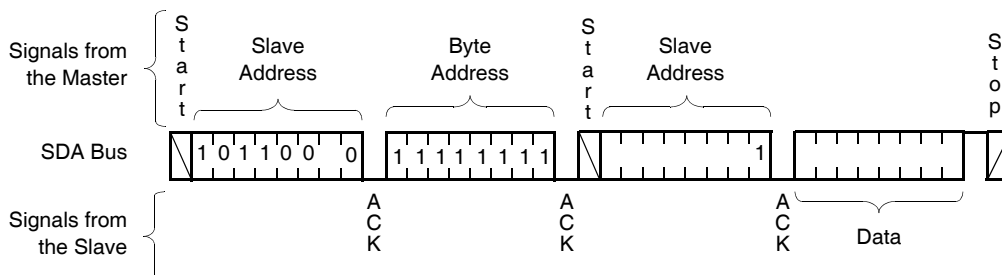


Figure 13. Slave Address, Word Address, and Data Bytes

| | | Slave Byte | | | | | | | |
|--------------------------|--|--------------|----|----|----|----|----|----|-----|
| General Purpose Memory | | 1 | 0 | 1 | 0 | 0 | 0 | A8 | R/W |
| Control Register | | 1 | 0 | 1 | 1 | 0 | 0 | 1 | R/W |
| Fault Detection Register | | 1 | 0 | 1 | 1 | 0 | 0 | 0 | R/W |
| | | Word Address | | | | | | | |
| General Purpose Memory | | A7 | A6 | A5 | A4 | A3 | A2 | A1 | A0 |
| Control Register | | 1 | 1 | 1 | 1 | 1 | 1 | 1 | 1 |
| Fault Detection Register | | 1 | 1 | 1 | 1 | 1 | 1 | 1 | 1 |

Word Address

The word address is either supplied by the master or obtained from an internal counter.

Operational Notes

The device powers-up in the following state:

- The device is in the low power standby state.
- The WEL bit is set to '0'. In this state it is not possible to write to the device.
- SDA pin is the input mode.
- RESET/RESET Signal is active for t_{PURST} .

Data Protection

The following circuitry has been included to prevent inadvertent writes:

- The WEL bit must be set to allow write operations.
- The proper clock count and bit sequence is required prior to the stop bit in order to start a nonvolatile write cycle.
- A three step sequence is required before writing into the Control Register to change Watchdog Timer or Block Lock settings.
- The WP pin, when held HIGH, prevents all writes to the array and all the Register.

X40020, 40021

ABSOLUTE MAXIMUM RATINGS

| | |
|--|-----------------|
| Temperature under bias | -65°C to +135°C |
| Storage temperature | -65°C to +150°C |
| Voltage on any pin with respect to V_{SS} | -1.0V to +7V |
| D.C. output current | 5mA |
| Lead temperature (soldering, 10s) | 300°C |

COMMENT

Stresses above those listed under “Absolute Maximum Ratings” may cause permanent damage to the device. This is a stress rating only; functional operation of the device (at these or any other conditions above those listed in the operational sections of this specification) is not implied. Exposure to absolute maximum rating conditions for extended periods may affect device reliability.

RECOMMENDED OPERATING CONDITIONS

| Temperature | Min. | Max. |
|-------------|-------|-------|
| Commercial | 0°C | 70°C |
| Industrial | -40°C | +85°C |

| Version | Chip Supply Voltage | Monitored Voltages* |
|----------|---------------------|---------------------|
| -A or -B | 2.7V to 5.5V | 2.6 to 5.5V |
| -C | 2.7V to 5.5V | 1.6V to 3.6V |

*See Ordering Info

D.C. OPERATING CHARACTERISTICS

(Over the recommended operating conditions unless otherwise specified)

| Symbol | Parameter | Min. | Typ. ⁽⁵⁾ | Max. | Unit | Test Conditions |
|----------------------|---|---|---------------------|---------------------|---------------|---|
| $I_{CC1}^{(1)}$ | Active Supply Current (V_{CC}) Read (Excludes I_{OUT}) | | | 1.5 | mA | $V_{IL} = V_{CC} \times 0.1$ $V_{IH} = V_{CC} \times 0.9$, $f_{SCL} = 400\text{kHz}$ |
| $I_{CC2}^{(1)}$ | Active Supply Current (V_{CC}) Write Non Volatile Memory (Excludes I_{OUT}) | | | 3.0 | mA | |
| $I_{SB1}^{(1)(7)}$ | Standby Current (V_{CC}) AC (WDT off) | | 6 | 10 | μA | $V_{IL} = V_{CC} \times 0.1$ $V_{IH} = V_{CC} \times 0.9$ $f_{SCL}, f_{SDA} = 400\text{kHz}$ |
| $I_{SB2}^{(2)(7)}$ | Standby Current (V_{CC}) DC (WDT on) | | 25 | 30 | μA | $V_{SDA} = V_{SCL} = V_{CC}$ Others = GND or V_{CC} |
| $I_{BATT1}^{(3)(7)}$ | V_{BATT} Current (Excludes I_{OUT}) | | 0.2 | 1 | μA | $V_{OUT} = V_{CC}$ |
| $I_{BATT2}^{(7)}$ | V_{BATT} Current (Excludes I_{OUT}) (Battery Backup Mode) | | 0.2 | 6 | μA | $V_{BATT} = 2.8\text{V}$ $V_{OUT} = \text{Open}$ |
| $V_{OUT1}^{(7)}$ | Output Voltage ($V_{CC} > V_{BATT} + 0.03\text{V}$ or $V_{CC} > V_{TRIP1}$) | $V_{CC} - 0.05\text{V}$ $V_{CC} - 0.5\text{V}$ | | | V | $I_{OUT} = 5\text{mA } V_{CC} = (4.5-5.5\text{V})$ $I_{OUT} = 50\text{mA } V_{CC} = (4.5-5.5\text{V})$ |
| $V_{OUT2}^{(7)}$ | Output Voltage ($V_{CC} < V_{BATT} - 0.03\text{V}$ and $V_{CC} < V_{TRIP1}$) {Battery Backup} | $V_{BATT} - 0.2$ | | | V | $I_{OUT} = 250\mu\text{A}$ |
| V_{OLB} | Output (BATT-ON) LOW Voltage | | | 0.4 | V | $I_{OL} = 3.0\text{mA } (4.5-5.5\text{V})$ |
| V_{OHB} | Output (BATT-ON) HIGH Voltage | $V_{OUT} - 0.8$ | | | V | $I_{OH} = -0.4\text{mA } (4.5-5.5\text{V})$ |
| $V_{BSH}^{(7)}$ | Battery Switch Hysteresis ($V_{CC} < V_{TRIP1}$) | | 30 -30 | | mV | Power-up Power-down |
| I_{LI} | Input Leakage Current (SCL, $\overline{\text{MR}}$, WP) | | | 10 | μA | $V_{IL} = \text{GND to } V_{CC}$ |
| I_{LO} | Output Leakage Current (SDA, $\overline{\text{V2FAIL}}$, WDO, RESET) | | | 10 | μA | $V_{SDA} = \text{GND to } V_{CC}$ Device is in Standby ⁽²⁾ |
| $V_{IL}^{(3)}$ | Input LOW Voltage (SDA, SCL, $\overline{\text{MR}}$, WP) | -0.5 | | $V_{CC} \times 0.3$ | V | |
| $V_{IH}^{(3)}$ | Input HIGH Voltage (SDA, SCL, $\overline{\text{MR}}$, WP) | $V_{CC} \times 0.7$ | | $V_{CC} + 0.5$ | V | |

X40020, 40021

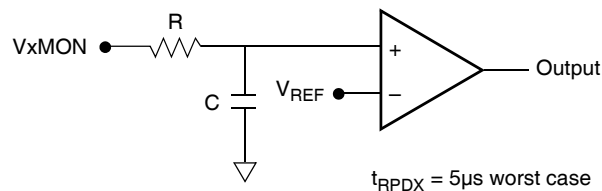
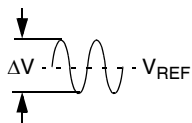
D.C. OPERATING CHARACTERISTICS (Continued)

(Over the recommended operating conditions unless otherwise specified)

| Symbol | Parameter | Min. | Typ. ⁽⁵⁾ | Max. | Unit | Test Conditions |
|-----------------------------------|---|-----------------------|---------------------|------|---------|--|
| $V_{HYS}^{(7)}$ | Schmitt Trigger Input Hysteresis • Fixed input level • V_{CC} related level | 0.2 .05 x V_{CC} | | | V V | |
| V_{OL} | Output LOW Voltage (SDA, RESET/ \overline{RE} -SET, $\overline{LOWLINE}$, V2FAIL, WDO) | | | 0.4 | V | $I_{OL} = 3.0mA$ (2.7-5.5V) $I_{OL} = 1.8mA$ (2.4-3.6V) |
| V_{CC} Supply | | | | | | |
| $V_{TRIP1}^{(6)}$ | V_{CC} Reset Trip Point Voltage Range | 2.0 | | 4.75 | V | |
| | | 4.55 | 4.6 | 4.65 | | A, B Version |
| | | 2.85 | 2.9 | 2.95 | | C Version |
| $t_{RPDL}^{(7)}$ | V_{TRIP1} to $\overline{LOWLINE}$ | | | 5 | μS | |
| Second Supply Monitor | | | | | | |
| $V_{TRIP2}^{(6)}$ | V2MON Reset Trip Point Voltage Range | 0.9 | | 3.5 | V | |
| | | 2.85 | 2.9 | 2.95 | | A Version |
| | | 2.55 | 2.6 | 2.65 | | B Version |
| | | 1.55 | 1.6 | 1.65 | | C Version |
| $t_{RPD2}^{(7)}$ | V_{TRIP2} to $\overline{V2FAIL}$ | | | 5 | μS | |

- Notes: (1) The device enters the Active state after any start, and remains active until: 9 clock cycles later if the Device Select Bits in the Slave Address Byte are incorrect; 200ns after a stop ending a read operation; or t_{WC} after a stop ending a write operation.
(2) The device goes into Standby: 200ns after any stop, except those that initiate a high voltage write cycle; t_{WC} after a stop that initiates a high voltage cycle; or 9 clock cycles after any start that is not followed by the correct Device Select Bits in the Slave Address Byte.
(3) Negative numbers indicate charging current, positive numbers indicate discharge current.
(4) V_{IL} Min. and V_{IH} Max. are for reference only and are not tested.
(5) At 25°C, $V_{CC} = 3V$.
(6) See ordering information for standard programming levels. For custom programming levels, contact factory.
(7) Based on characterization data.

EQUIVALENT INPUT CIRCUIT FOR V_xMON (x = 1, 2)



$\Delta V = 100mV$

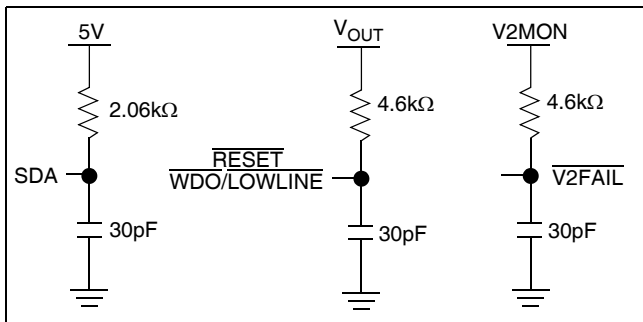
X40020, 40021

CAPACITANCE

| Symbol | Parameter | Max. | Unit | Test Conditions |
|-----------------|---|------|------|-----------------|
| $C_{OUT}^{(1)}$ | Output Capacitance (SDA, RESET, RESET/LOWLINE, V2FAIL, WDO) | 8 | pF | $V_{OUT} = 0V$ |
| $C_{IN}^{(1)}$ | Input Capacitance (SCL, WP) | 6 | pF | $V_{IN} = 0V$ |

Note: (1) This parameter is not 100% tested.

EQUIVALENT A.C. OUTPUT LOAD CIRCUIT FOR $V_{CC} = 5V$



A.C. TEST CONDITIONS

| | |
|--------------------------------|--|
| Input pulse levels | $V_{CC} \times 0.1$ to $V_{CC} \times 0.9$ |
| Input rise and fall times | 10ns |
| Input and output timing levels | $V_{CC} \times 0.5$ |
| Output load | Standard output load |

SYMBOL TABLE

| WAVEFORM | INPUTS | OUTPUTS |
|----------|-----------------------------|-------------------------------|
| | Must be steady | Will be steady |
| | May change from LOW | Will change from LOW to HIGH |
| | May change from HIGH to LOW | Will change from HIGH to LOW |
| | Don't Care: Changes Allowed | Changing: State Not Known |
| | N/A | Center Line is High Impedance |

X40020, 40021

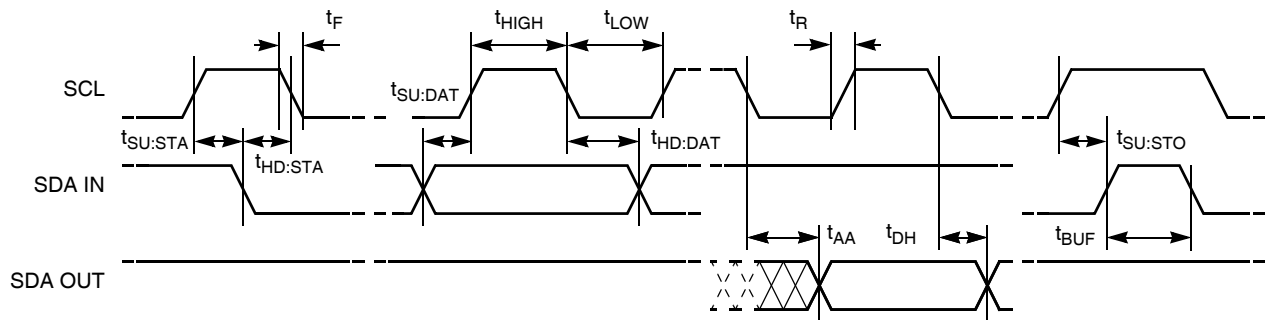
A.C. CHARACTERISTICS

| Symbol | Parameter | 400kHz | | Unit |
|--------------|--|-------------------|------|---------|
| | | Min. | Max. | |
| f_{SCL} | SCL Clock Frequency | | 400 | kHz |
| t_{IN} | Pulse width Suppression Time at inputs | 50 | | ns |
| t_{AA} | SCL LOW to SDA Data Out Valid | 0.1 | 0.9 | μ s |
| t_{BUF} | Time the bus free before start of new transmission | 1.3 | | μ s |
| t_{LOW} | Clock LOW Time | 1.3 | | μ s |
| t_{HIGH} | Clock HIGH Time | 0.6 | | μ s |
| $t_{SU:STA}$ | Start Condition Setup Time | 0.6 | | μ s |
| $t_{HD:STA}$ | Start Condition Hold Time | 0.6 | | μ s |
| $t_{SU:DAT}$ | Data In Setup Time | 100 | | ns |
| $t_{HD:DAT}$ | Data In Hold Time | 0 | | μ s |
| $t_{SU:STO}$ | Stop Condition Setup Time | 0.6 | | μ s |
| t_{DH} | Data Output Hold Time | 50 | | ns |
| t_R | SDA and SCL Rise Time | $20 + .1Cb^{(1)}$ | 300 | ns |
| t_F | SDA and SCL Fall Time | $20 + .1Cb^{(1)}$ | 300 | ns |
| $t_{SU:WP}$ | \overline{WP} Setup Time | 0.6 | | μ s |
| $t_{HD:WP}$ | \overline{WP} Hold Time | 0 | | μ s |
| Cb | Capacitive load for each bus line | | 400 | pF |

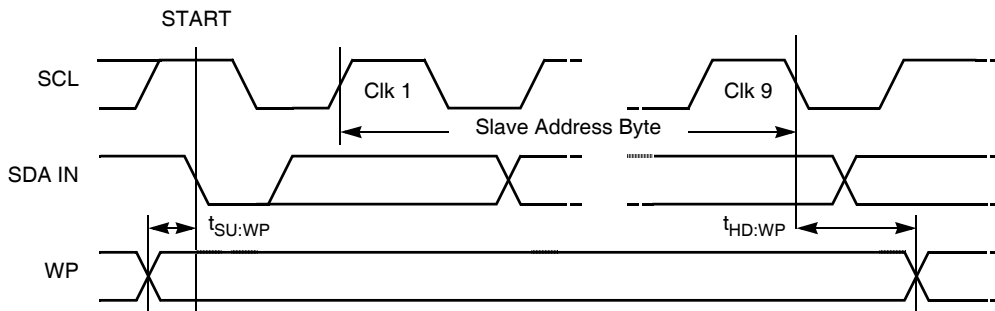
Note: (1) Cb = total capacitance of one bus line in pF.

TIMING DIAGRAMS

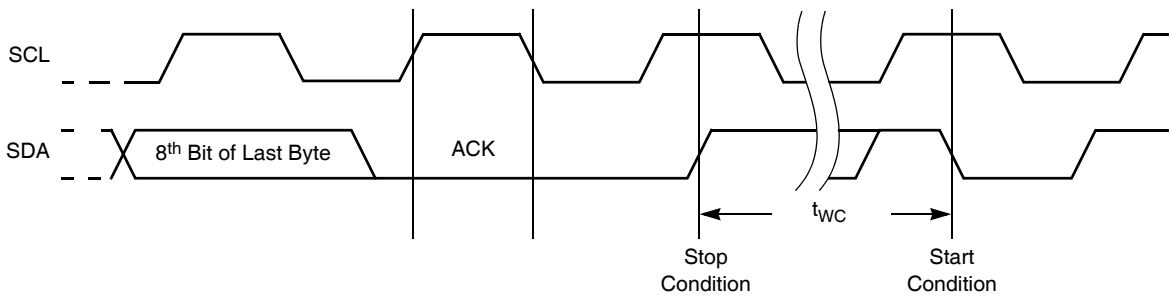
Bus Timing



WP Pin Timing



Write Cycle Timing

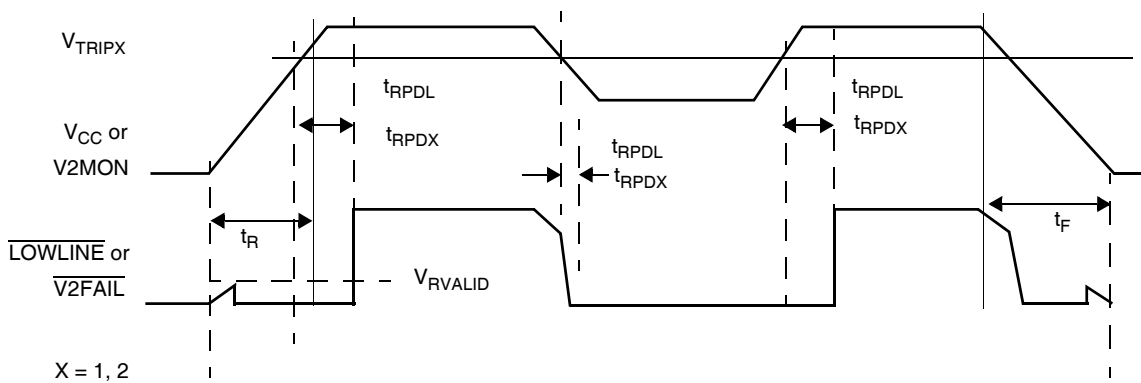


Nonvolatile Write Cycle Timing

| Symbol | Parameter | Min. | Typ. ⁽¹⁾ | Max. | Unit |
|----------------|------------------|------|---------------------|------|------|
| $t_{WC}^{(1)}$ | Write Cycle Time | | 5 | 10 | ms |

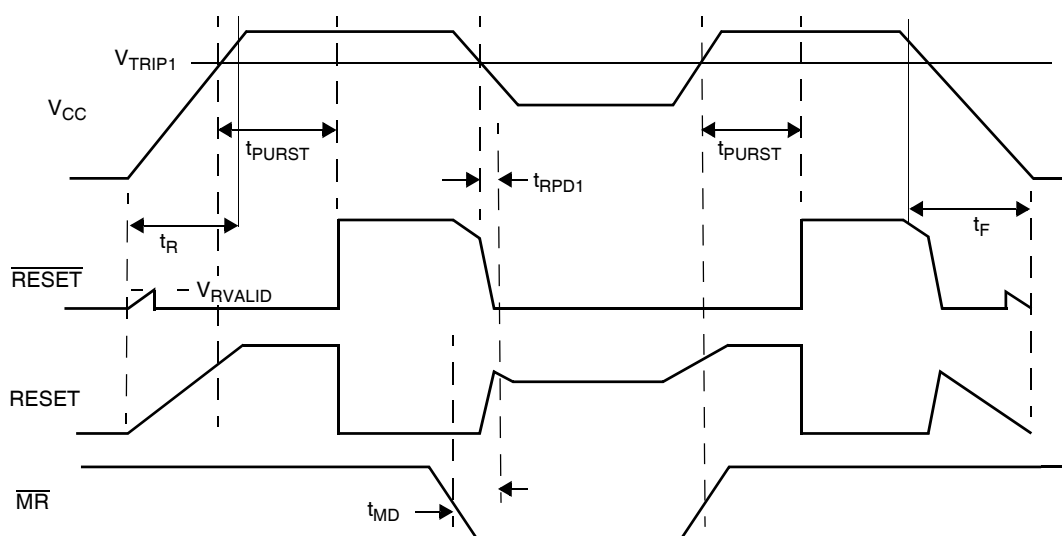
Note: (1) t_{WC} is the time from a valid stop condition at the end of a write sequence to the end of the self-timed internal nonvolatile write cycle. It is the minimum cycle time to be allowed for any nonvolatile write by the user, unless Acknowledge Polling is used.

Power Fail Timings



X40020, 40021

RESET/RESETE/MR Timings

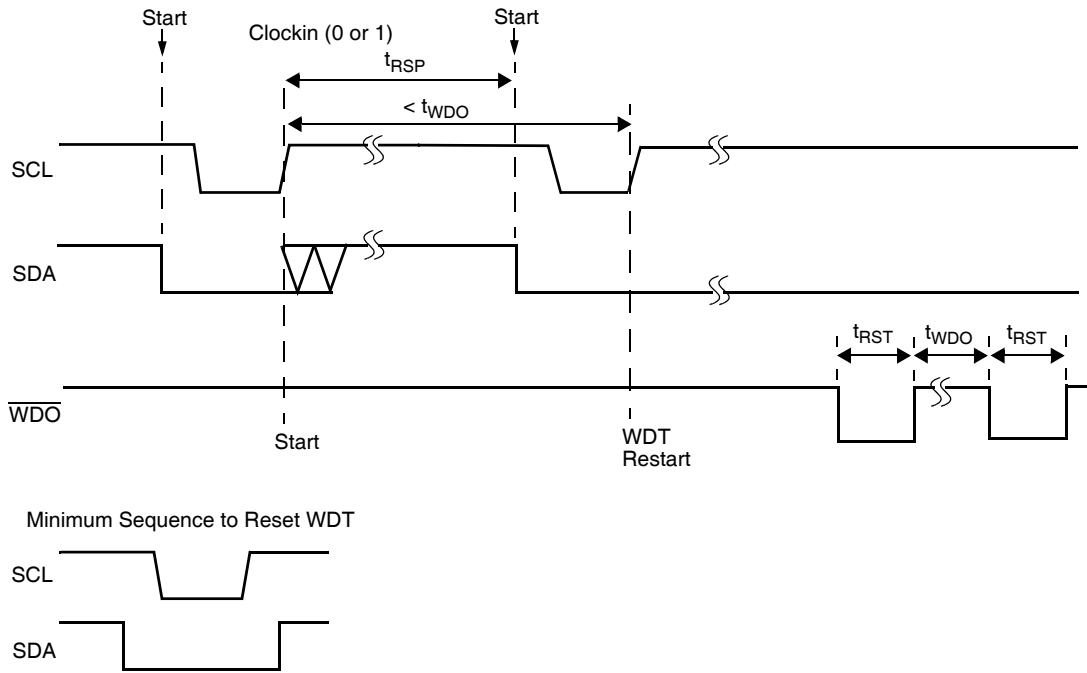


LOW VOLTAGE AND WATCHDOG TIMINGS PARAMETERS (@25°C, $V_{CC} = 5V$)

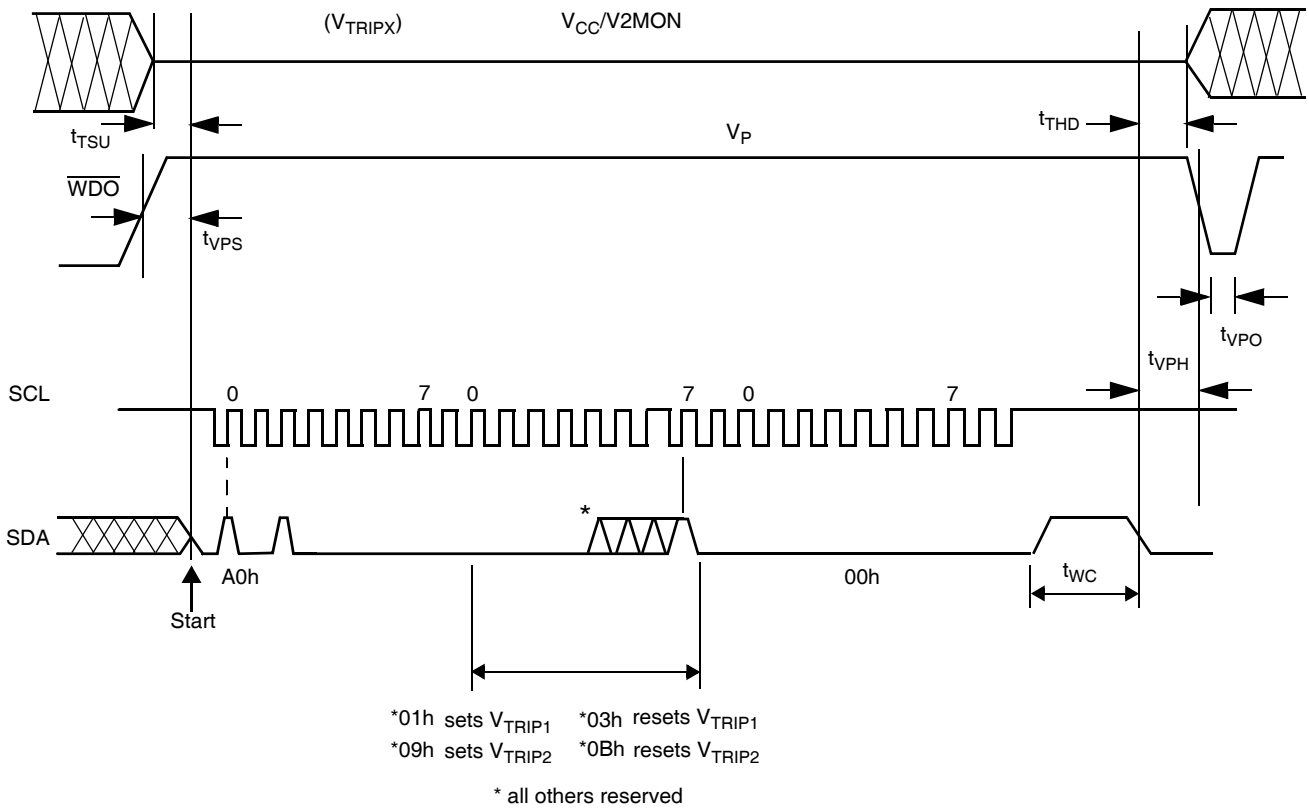
| Symbol | Parameters | Min. | Typ. | Max. | Unit |
|------------------|---|------|--|------|----------------------|
| $t_{RPD1}^{(1)}$ | V_{TRIP1} to $\overline{RESETE}/\overline{RESET}$ (Power-down only) | | | 5 | μs |
| t_{RPDL} | V_{TRIP1} to $\overline{LOWLINE}$ | | | | |
| $t_{LR}^{(1)}$ | $\overline{LOWLINE}$ to $\overline{RESETE}/\overline{RESET}$ delay (Power-down only) [= $t_{RPD1} - t_{RPDL}$] | | 500 | | ns |
| $t_{RPD2}^{(1)}$ | V_{TRIP2} to $\overline{V2FAIL}$ | | | 5 | μs |
| t_{PURST} | Power-on Reset delay: PUP1 = 0, PUP0 = 0 PUP1 = 0, PUP0 = 1 (Factory default) PUP1 = 1, PUP0 = 0 PUP1 = 1, PUP0 = 1 | | 50 ⁽¹⁾ 200 400 ⁽¹⁾ 800 ⁽¹⁾ | | ms ms ms ms |
| t_F | V_{CC} , $V2MON$ Fall Time | 20 | | | mV/ μs |
| t_R | V_{CC} , $V2MON$ Rise Time | 20 | | | mV/ μs |
| V_{RVALID} | Reset Valid V_{CC} | 1 | | | V |
| $t_{MD}^{(1)}$ | \overline{MR} to $\overline{RESETE}/\overline{RESET}$ delay (activation only) | 500 | | | ns |
| t_{in1} | Pulse width Suppression Time for \overline{MR} | 50 | | | ns |
| t_{WDO} | Watchdog Timer Period: WD1 = 0, WD0 = 0 WD1 = 0, WD0 = 1 WD1 = 1, WD0 = 0 WD1 = 1, WD0 = 1 (factory default) | | 1.4 ⁽¹⁾ 200 ⁽¹⁾ 25 OFF | | s ms ms |
| t_{RST1} | Watchdog Reset Time Out Delay WD1 = 0, WD0 = 0 WD1 = 0, WD0 = 1 | 100 | 200 | 300 | ms |
| t_{RST2} | Watchdog Reset Time Out Delay WD1=1, WD0=0 | 12.5 | 25 | 37.5 | ms |
| t_{RSP} | Watchdog timer restart pulse width | 1 | | | μs |

Note: (1) Based on characterization data.

Watchdog Time Out For 2-Wire Interface



V_{TRIPX} Set/Reset Conditions



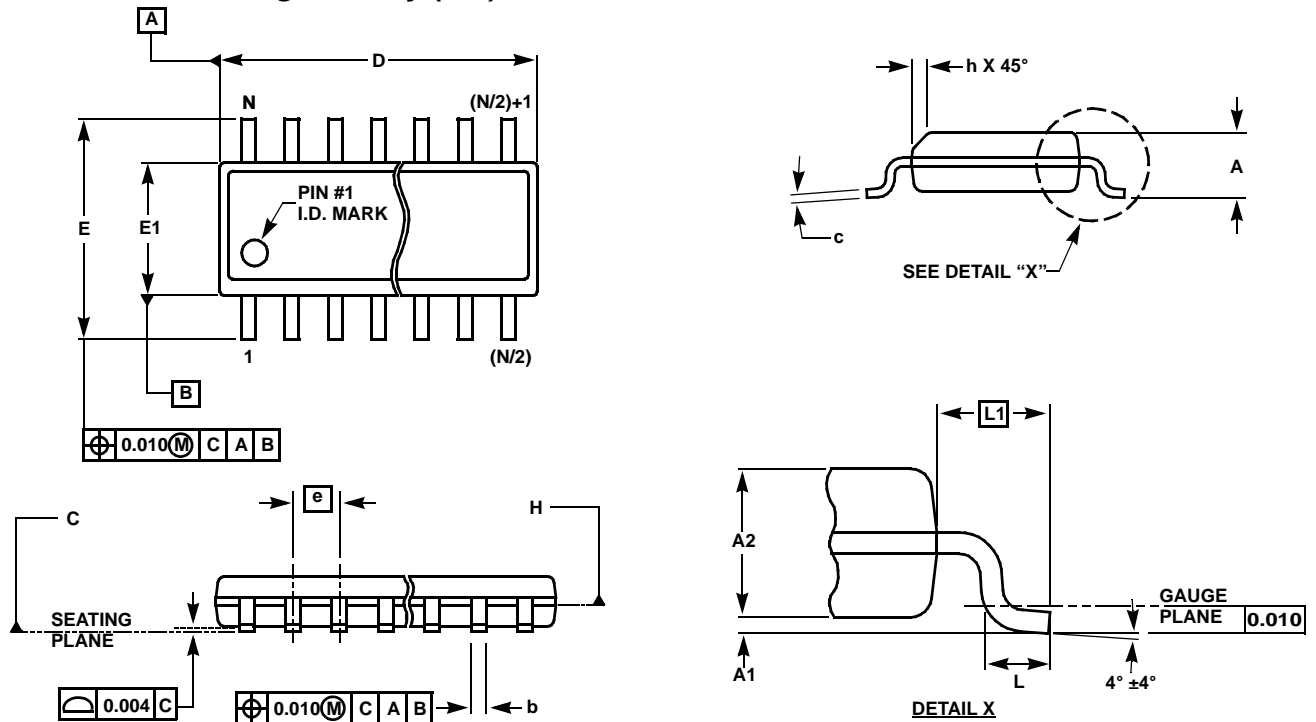
X40020, 40021

V_{TRIP1}, V_{TRIP2} Programming Specifications: V_{CC} = 2.0-5.5V; Temperature = 25°C

| Parameter | Description | Min. | Max. | Unit |
|--------------------|--|------|------|------|
| t _{VPS} | WDO Program Voltage Setup time | 10 | | μs |
| t _{VPH} | WDO Program Voltage Hold time | 10 | | μs |
| t _{TSU} | V _{TRIPX} Level Setup time | 10 | | μs |
| t _{THD} | V _{TRIPX} Level Hold (stable) time | 10 | | μs |
| t _{WC} | V _{TRIPX} Program Cycle | 10 | | ms |
| t _{VPO} | Program Voltage Off time before next cycle | 1 | | ms |
| V _P | Programming Voltage | 15 | 18 | V |
| V _{TRAN1} | V _{TRIP1} Set Voltage Range | 2.0 | 4.75 | V |
| V _{TRAN2} | V _{TRIP2} Set Voltage Range | 0.9 | 3.5 | V |
| V _{tv} | V _{TRIPX} Set Voltage variation after programming (0-75°C). | -25 | +25 | mV |
| t _{VPS} | WDO Program Voltage Setup time | 10 | | μs |

V_{TRIPX} programming parameters are periodically sampled and are not 100% tested.

Small Outline Package Family (SO)



MDP0027

SMALL OUTLINE PACKAGE FAMILY (SO)

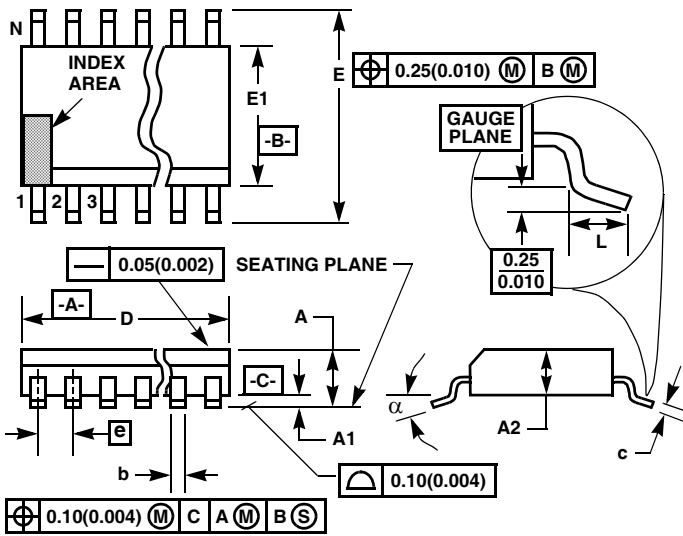
| SYMBOL | SO-8 | SO-14 | SO16 (0.150") | SO16 (0.300") (SOL-16) | SO20 (SOL-20) | SO24 (SOL-24) | SO28 (SOL-28) | TOLERANCE | NOTES |
|--------|-------|-------|------------------|---------------------------|------------------|------------------|------------------|-----------|-------|
| A | 0.068 | 0.068 | 0.068 | 0.104 | 0.104 | 0.104 | 0.104 | MAX | - |
| A1 | 0.006 | 0.006 | 0.006 | 0.007 | 0.007 | 0.007 | 0.007 | ±0.003 | - |
| A2 | 0.057 | 0.057 | 0.057 | 0.092 | 0.092 | 0.092 | 0.092 | ±0.002 | - |
| b | 0.017 | 0.017 | 0.017 | 0.017 | 0.017 | 0.017 | 0.017 | ±0.003 | - |
| c | 0.009 | 0.009 | 0.009 | 0.011 | 0.011 | 0.011 | 0.011 | ±0.001 | - |
| D | 0.193 | 0.341 | 0.390 | 0.406 | 0.504 | 0.606 | 0.704 | ±0.004 | 1, 3 |
| E | 0.236 | 0.236 | 0.236 | 0.406 | 0.406 | 0.406 | 0.406 | ±0.008 | - |
| E1 | 0.154 | 0.154 | 0.154 | 0.295 | 0.295 | 0.295 | 0.295 | ±0.004 | 2, 3 |
| e | 0.050 | 0.050 | 0.050 | 0.050 | 0.050 | 0.050 | 0.050 | Basic | - |
| L | 0.025 | 0.025 | 0.025 | 0.030 | 0.030 | 0.030 | 0.030 | ±0.009 | - |
| L1 | 0.041 | 0.041 | 0.041 | 0.056 | 0.056 | 0.056 | 0.056 | Basic | - |
| h | 0.013 | 0.013 | 0.013 | 0.020 | 0.020 | 0.020 | 0.020 | Reference | - |
| N | 8 | 14 | 16 | 16 | 20 | 24 | 28 | Reference | - |

Rev. L 2/01

NOTES:

1. Plastic or metal protrusions of 0.006" maximum per side are not included.
2. Plastic interlead protrusions of 0.010" maximum per side are not included.
3. Dimensions "D" and "E1" are measured at Datum Plane "H".
4. Dimensioning and tolerancing per ASME Y14.5M-1994

Thin Shrink Small Outline Plastic Packages (TSSOP)



M14.173
14 LEAD THIN SHRINK SMALL OUTLINE PLASTIC PACKAGE

| SYMBOL | INCHES | | MILLIMETERS | | NOTES |
|----------|-----------|--------|-------------|------|-------|
| | MIN | MAX | MIN | MAX | |
| A | - | 0.047 | - | 1.20 | - |
| A1 | 0.002 | 0.006 | 0.05 | 0.15 | - |
| A2 | 0.031 | 0.041 | 0.80 | 1.05 | - |
| b | 0.0075 | 0.0118 | 0.19 | 0.30 | 9 |
| c | 0.0035 | 0.0079 | 0.09 | 0.20 | - |
| D | 0.195 | 0.199 | 4.95 | 5.05 | 3 |
| E1 | 0.169 | 0.177 | 4.30 | 4.50 | 4 |
| e | 0.026 BSC | | 0.65 BSC | | - |
| E | 0.246 | 0.256 | 6.25 | 6.50 | - |
| L | 0.0177 | 0.0295 | 0.45 | 0.75 | 6 |
| N | 14 | | 14 | | 7 |
| α | 0° | 8° | 0° | 8° | - |

NOTES:

1. These package dimensions are within allowable dimensions of JEDEC MO-153-AC, Issue E.
2. Dimensioning and tolerancing per ANSI Y14.5M-1982.
3. Dimension "D" does not include mold flash, protrusions or gate burrs. Mold flash, protrusion and gate burrs shall not exceed 0.15mm (0.006 inch) per side.
4. Dimension "E1" does not include interlead flash or protrusions. Interlead flash and protrusions shall not exceed 0.15mm (0.006 inch) per side.
5. The chamfer on the body is optional. If it is not present, a visual index feature must be located within the crosshatched area.
6. "L" is the length of terminal for soldering to a substrate.
7. "N" is the number of terminal positions.
8. Terminal numbers are shown for reference only.
9. Dimension "b" does not include dambar protrusion. Allowable dambar protrusion shall be 0.08mm (0.003 inch) total in excess of "b" dimension at maximum material condition. Minimum space between protrusion and adjacent lead is 0.07mm (0.0027 inch).
10. Controlling dimension: MILLIMETER. Converted inch dimensions are not necessarily exact. (Angles in degrees)

Rev. 2 4/06

All Intersil U.S. products are manufactured, assembled and tested utilizing ISO9000 quality systems. Intersil Corporation's quality certifications can be viewed at www.intersil.com/design/quality

Intersil products are sold by description only. Intersil Corporation reserves the right to make changes in circuit design, software and/or specifications at any time without notice. Accordingly, the reader is cautioned to verify that data sheets are current before placing orders. Information furnished by Intersil is believed to be accurate and reliable. However, no responsibility is assumed by Intersil or its subsidiaries for its use; nor for any infringements of patents or other rights of third parties which may result from its use. No license is granted by implication or otherwise under any patent or patent rights of Intersil or its subsidiaries.

For information regarding Intersil Corporation and its products, see www.intersil.com