

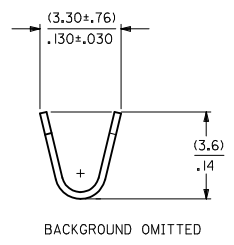
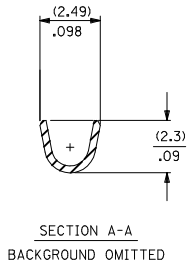
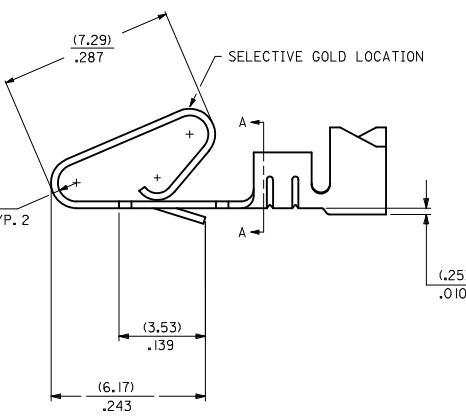
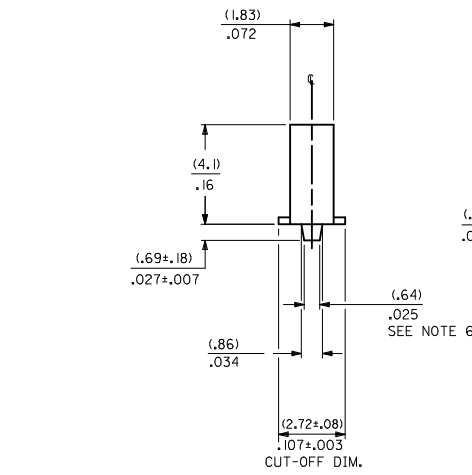
MATERIAL CODE
 (.27)/.0106 THK
 1=BRASS
 3=PHOS BRONZE

OPTION CODE
 BLANK=AS SHOWN
 C=CAT EAR OPTION

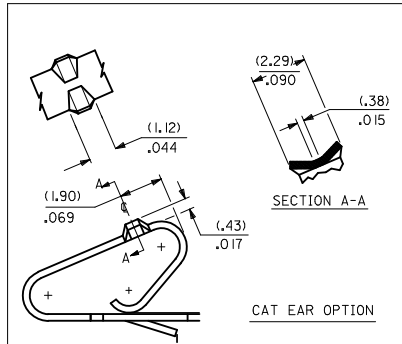
WINDING SPEC.
 A=PER ES-339-A
 BLANK=PER ES-339-B
 L=LOOSE

FINISH:

(P909) OVERALL HOT TIN DIP: (0.00254)/.000100 MIN.
 (122) OVERALL TIN: (0.00381)/.000150 MIN.
 OVER (0.00076)/.000030 MIN. NICKEL
 (154) OVERALL TIN: (0.00254)/.000100 MIN.
 OVER (0.00127)/.000050 MIN. NICKEL
 (224) OVERALL MATTE TIN: (0.00508)/.000200 MIN.
 OVER (0.00127)/.000050 MIN. NICKEL
 (550) SELECT GOLD: (0.00038)/.000015 MIN.
 OVERALL GOLD FLASH: (0.00005)/.000002 MIN.
 OVERALL NICKEL UNDERPLATE: (0.00076)/.000030 MIN.
 (555) SELECT GOLD: (0.00038)/.000015 MIN.
 OVERALL NICKEL UNDERPLATE: (0.00076)/.000030 MIN.
 OVERALL GOLD FLASH: (0.00005)/.000002 MIN.
 OVERALL NICKEL UNDERPLATE: (0.00127)/.000050 MIN.
 (561) SELECT GOLD: (0.00076)/.000030 MIN.
 OVERALL NICKEL UNDERPLATE: (0.00127)/.000050 MIN.
 (591) SELECT GOLD: (0.00127)/.000050 MIN.
 OVERALL GOLD FLASH: (0.00005)/.000002 MIN.
 OVERALL NICKEL UNDERPLATE: (0.00127)/.000050 MIN.



- NOTES:
1. MATERIAL: SEE LEGEND
 2. FINISH: SEE LEGEND
 3. THIS PART CONFORMS TO PRODUCT SPECIFICATION PS-08-50.
 4. PACKAGING SPECIFICATION: LOOSE TERMINALS: PER PK-2759-001
CHAIN FORM TERMINALS: NONE
 5. DIMENSIONS GIVEN ACROSS CENTERLINES ARE SYMMETRICAL ABOUT THOSE CENTERLINES WITHIN HALF THE TOTAL TOLERANCE.
 6. (0.86 ±0.05)/.034 ±.002 IS AN OPTIONAL DESIGN.
 7. CRIMP ACCEPTS 18 TO 24 AWG WIRE WITH (2.79)/.110 MAX. INSULATION DIAMETER. AND CAN ACCEPT (3.00)/.118 MAX. INSULATION DIAMETER WITH SPECIAL TOOLING.
 8. TERMINAL FOR USE IN 2139, 3001, 3069, AND 91813 SERIES HOUSINGS WITH (2.54)/.100 MAX. INSULATION DIAMETER, 2574, 6422, AND 5239 SERIES HOUSINGS WITH (2.79)/.110 MAX. INSULATION DIAMETER, AND 41695 SERIES HOUSING WITH (3.00)/.118 MAX. INSULATION DIAMETER.
 9. THIS PART CONFORMS TO CLASS B REQUIREMENTS OF COSMETIC SPECIFICATION PS-45499-002.



REMOVE 208 PLTING EC NO. UCP2012-2810 DRAWN: JAGUILAR 2012/02/27 CHECKED: KIPPER 2012/02/27 APPR: FSMITH 2012/03/20	QUALITY SYMBOLS ∇=0 ∇=0 ∇=0	GENERAL TOLERANCES (UNLESS SPECIFIED)		DIMENSION STYLE MM/IN	SCALE 10:1	DESIGN UNITS INCH	THIRD ANGLE PROJECTION
		4 PLACES ±.010 ±.010 3 PLACES ±.025 ±.014 2 PLACES ±.036 ±.014 1 PLACE ±.036 ±.014 ANGULAR ±1/2°	DRAWN BY SAMIEC DATE 06/03/86	CHECKED BY PATEL DATE 06/03/86	APPROVED BY FSMITH DATE 2012/03/20	MATERIAL NO. SEE CHART	DOCUMENT NO. SD-2478

THIS DRAWING CONTAINS INFORMATION THAT IS PROPRIETARY TO MOLEX INCORPORATED AND SHOULD NOT BE USED WITHOUT WRITTEN PERMISSION

20 19 18 17 16 15 14 13 12 11 10 9 8 7 6 5 4 3 2 1

2478-1-(***)*

PART NO.	ENG. NO.
08-50-0105	2478-1-(P909)
08-50-0106	2478-1-(P909)L
08-56-0105	2478-1-(550)
08-56-0106	2478-1-(550)L
08-55-0103	2478-1-(555)
08-55-0104	2478-1-(555)L
08-50-0119	2478-1-(122)
08-50-0120	2478-1-(122)L
08-50-0271	2478-1-(P909)A
08-50-0015	2478-1-(154)
08-50-0016	2478-1-(154)L
08-50-0063	2478-1-(224)
08-50-0064	2478-1-(224)L
08-55-0133	2478-1-(561)
08-55-0134	2478-1-(561)L

2478-3-(***)*

PART NO.	ENG. NO.
08-52-0071	2478-3-(P909)
08-52-0072	2478-3-(P909)L
08-65-0114	2478-3-(555)
08-65-0115	2478-3-(555)L
08-52-0811	2478-3-(154)
08-52-0812	2478-3-(154)L
08-50-0281	2478-3-(122)
	2478-3-(122)L
08-58-0121	2478-3-(550)
08-58-0122	2478-3-(550)L
08-58-0103	2478-3-(591)
08-58-0104	2478-3-(591)L
08-58-0114	2478-3-(558)
08-58-0115	2478-3-(558)L

2478-1C-(***)*

PART NO.	ENG. NO.
08-50-0091	2478-1C-(154)
08-50-0093	2478-1C-(154)L

2478-3C-(***)*

PART NO	ENG NO
08-52-0044	2478-3C-(P909)
08-52-0045	2478-3C-(P909)L
08-52-0023	2478-3C-(154)
08-52-0024	2478-3C-(154)L

REMOVE 208 PLTG IEC NO: UCF2012-2810 DRAWN: JAGUILAR 2012/02/27 CHECKED: KIPPER 2012/02/27 APPR: FSMITH 2012/03/20	QUALITY SYMBOLS	GENERAL TOLERANCES (UNLESS SPECIFIED)	DIMENSION STYLE	SCALE	DESIGN UNITS	THIRD ANGLE PROJECTION
	▽=0	mm INCH	MM/IN	1:1	INCH	
	▽=0	4 PLACES ± --- ± ---				
	▽=0	3 PLACES ± --- ± .010				
		2 PLACES ± 0.25 ± .014				
		1 PLACE ± 0.36 ± ---				
		ANGULAR ±1/2°				
		DRAFT WHERE APPLICABLE MUST REMAIN WITHIN DIMENSIONS				
			MATERIAL NO.	DOCUMENT NO.		SHEET NO.
			SEE CHART	SD-2478		2 OF 2
			THIS DRAWING CONTAINS INFORMATION THAT IS PROPRIETARY TO MOLEX INCORPORATED AND SHOULD NOT BE USED WITHOUT WRITTEN PERMISSION			