

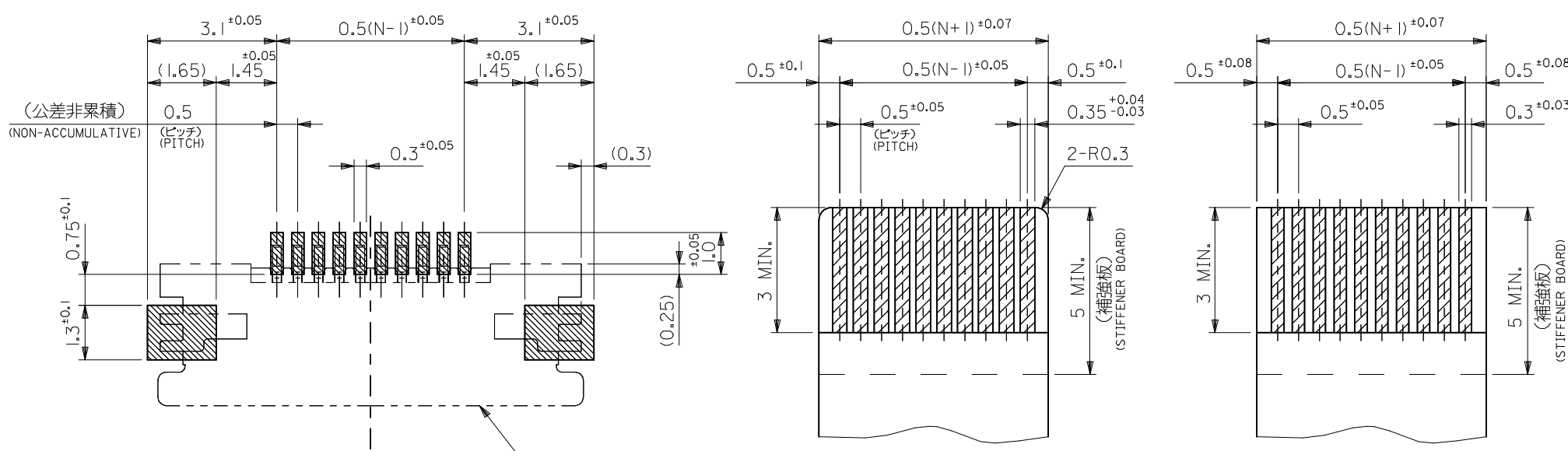
SECT. J-J
SCALE 20:1

0.28±0.03	13.65	17	12.5	18.2	54550-2694	54550-2619	26	
	13.15	16.5	12.0	17.7	54550-2594	54550-2519	25	
	12.65	16	11.5	17.2	54550-2494	54550-2419	24	
	11.65	15	10.5	16.2	54550-2294	54550-2219	22	
	11.15	14.5	10	15.7	54550-2194	54550-2119	21	
	10.65	14	9.5	15.2	54550-2094	54550-2019	20	
	10.15	13.5	9	14.7	54550-1994	54550-1919	19	
	9.65	13	8.5	14.2	54550-1894	54550-1819	18	
	9.15	12.5	8	13.7	54550-1794	54550-1719	17	
	8.65	12	7.5	13.2	54550-1694	54550-1619	16	
	8.15	11.5	7	12.7	54550-1594	54550-1519	15	
	0.3±0.03	7.65	11	6.5	12.2	54550-1494	54550-1419	14
		7.15	10.5	6	11.7	54550-1394	54550-1319	13
		6.65	10	5.5	11.2	54550-1294	54550-1219	12
		6.15	9.5	5	10.7	54550-1194	54550-1119	11
5.65		9	4.5	10.2	54550-1094	54550-1019	10	
5.15		8.5	4	9.7	54550-0994	54550-0919	9	
4.65	8	3.5	9.2	54550-0894	54550-0819	8		
4.15	7.5	3	8.7	54550-0794	54550-0719	7		
3.65	7	2.5	8.2	54550-0694	54550-0619	6		
3.15	6.5	2	7.7	54550-0594	54550-0519	5		
2.65	6.0	1.5	7.2	54550-0494	54550-0419	4		

THICKNESS OF FPC	D	C	B	A	EMBOSSED TAPE	製品番号	極数
ORDER No. オダー番号	MATERIAL No.	CK+					
GENERAL TOLERANCES (UNLESS SPECIFIED)		DIMENSION STYLE		SCALE	DESIGN UNITS		
		MM ONLY		---	METRIC		
DRAWN BY DATE		TITLE		MOLEX INCORPORATED			
M. NINOMIYA '03/12/22		0.5 FPC CONN ZIF HOUSING ASSY SMT RA UPPER CONT -LEAD FREE-					
CHECKED BY DATE							
K. TOJO '03/12/22		APPROVED BY DATE		DOCUMENT NO.		SHEET NO.	
M. SASAO '03/12/22		MATERIAL NO.		SD-54550-019		1 OF 2	
ANGULAR ±3 °		DRAFT WHERE APPLICABLE MUST REMAIN WITHIN DIMENSIONS		THIS DRAWING CONTAINS INFORMATION THAT IS PROPRIETARY TO MOLEX INCORPORATED AND SHOULD NOT BE USED WITHOUT WRITTEN PERMISSION			

REVISED
 IEC NO: J2008-4048
 DRWN:MNABEI 2008/06/13
 CHKD:THARUYAMA 2008/06/16
 APPR:NUKITA 2008/06/16

54550-**-19	MODEL No.
10 UNDER ±0.2	
10 OVER 30 UNDER ±0.25	
30 OVER ±0.3	
ANGULAR ±3 °	
DRAFT WHERE APPLICABLE MUST REMAIN WITHIN DIMENSIONS	



(公差非累積)
(NON-ACCUMULATIVE)

参考基板レイアウト
RECOMMENDED P.C.BOARD
PATTERN DIMENSION (REF.)

コネクタ位置
CONNECTOR POSITION

適合FPC推奨寸法
APPLICABLE FPC
RECOMMENDED DIMENSION

(仕上がり厚さ:表参照)
(THICKNESS:SEE CHART)

適合FPC推奨寸法
APPLICABLE FFC
RECOMMENDED DIMENSION

(仕上がり厚さ:表参照)
(THICKNESS:SEE CHART)

注記 NOTES

I. 使用材料 MATERIAL

- ハウジング HOUSING : LCP, UL94V-0
- アクチュエータ ACTUATOR : PPS, UL94V-0
- ターミナル TERMINAL : リン青銅 (t=0.2)、ニッケル下地銅ビスマスメッキ PHOS-BRO,TIN-BISMUTH OVER NICKEL PLATED
- 金具 FITTING NAIL : リン青銅 (t=0.2)、ニッケル下地銅メッキ PHOS-BRO,TIN OVER NICKEL PLATED

- 2. エンボステープ梱包時は、アクチュエータがロックした状態とする。
IN THE PACKAGE,ACTUATOR OF PART NO.54550-**17 SHOULD BE LOCKED.
- ⚠️ ソルダータール半田付け面のズレ量、及び金具半田付け面のズレ量は、基準面 Z に対し上方向 0MAX.、下方向 0.15MAX.とし相互のバラツキ量は0.1MAX.とする。
MISALIGNMENT OF SOLDER TAILS AND FITTING NAILS FROM Z UPPER DIRECTION: 0 MAX. , LOWER DIRECTION: 0.15 MAX. OFFSET BETWEEN UPPER AND LOWER 0.1 MAX.
- ⚠️ 偶数極に適用。
APPLY FOR EVEN CIRCUIT.
- ⚠️ パターンはくり止め用金具
FITTING NAIL FOR PREVENTION OF PEELING OF P.C.B. PATTERN.

2. 本製品は 54550-**17 の鉛フリー品である。
THIS PRODUCT IS LEAD FREE OF 54550-**17.

FPC/FFCについて:

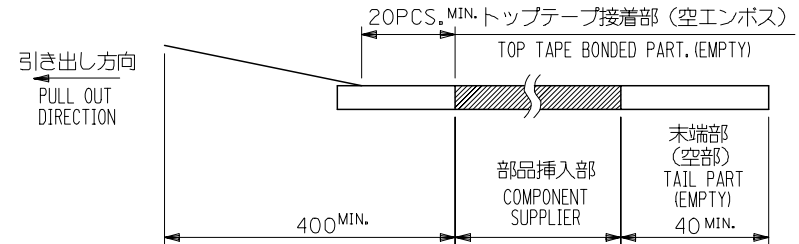
打抜き方向は導体側から補強板側を推奨いたします。
導体部については軟銅箔35マイクロメートルまたは50マイクロメートルを推奨いたします。

RECOMMENDED PUNCHER DIRECTION : FROM CONDUCTOR SIDE TO STIFFENER BOARD SIDE.
RECOMMENDED CONDUCTOR SPEC:
THICKNESS OF SOFT COPPER FOIL :35 MICROMETER or 50MICROMETER

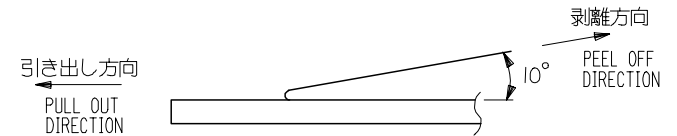
REVISED EC NO: J2008-4048 DRWN:WABEI CHKD:THARUYAMA APPR:NUKITA 2008/06/13 2008/06/16 2008/06/16	GENERAL TOLERANCES (UNLESS SPECIFIED)		DIMENSION STYLE MM ONLY		SCALE ---	DESIGN UNITS METRIC	THIRD ANGLE PROJECTION		
	10 UNDER	±0.2	DRAWN BY M.NINOMIYA	DATE '03/12/22	TITLE 0.5 FPC CONN ZIF HOUSING ASSY SMT RA UPPER CONT -LEAD FREE-				
	10 OVER 30 UNDER	±0.25	CHECKED BY K.TOJO	DATE '03/12/22	APPROVED BY M.SASAO				
	30 OVER	±0.3	DATE '03/12/22		MOLEX INCORPORATED				
	ANGULAR	±3 °	MATERIAL NO. SEE SHEET 1		DOCUMENT NO. SD-54550-019		SHEET NO. 2 OF 2		
DRAFT WHERE APPLICABLE MUST REMAIN WITHIN DIMENSIONS		SIZE A3				THIS DRAWING CONTAINS INFORMATION THAT IS PROPRIETARY TO MOLEX INCORPORATED AND SHOULD NOT BE USED WITHOUT WRITTEN PERMISSION			

NOTES

- 1. 製品詳細寸法については図面 54550-**19 を参照下さい。
RE DETAILED DIMENSION, SEE 54550-**19
- 2. 梱包数量：3000個/リール
NUMBER OF CONNECTORS : 3000PCS/REEL
- 3. リードテープ長さ LEAD TAPE LENGTH

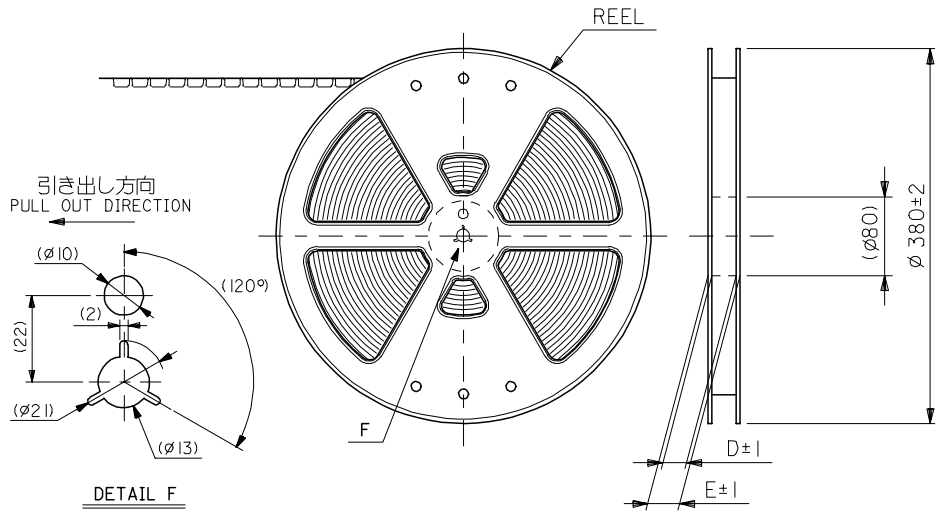


- 4. トップテープの剥離強度：0.1N ~ 1.3N (10gf ~ 130gf)
(剥離方向は下図参照)
尚、本規格値は出荷時に適用。(但し、輸送時に剥離が発生しないこと。)
PEELING OFF FORCE OF TOP TAPE : 0.1N ~ 1.3N (10gf ~ 130gf)
(PEELING DIRECTION AS SHOWN IN FOLLOWING FIG.)
THIS REQUIREMENT SHOULD BE APPLIED AT SHIPMENT.
PEEL OFF SHOULD NOT BE ALLOWED , DURING TRANSPORTATION.



- 5. 材料 (MATERIAL)
キャリアテープ (CARRIER TAPE) : ポリプロピレン (POLYPROPYLENE)
トップテープ (TOPTAPE) : PET , PE , PEF
リール (REEL) : ポリスチレン (P.S) <リサイクル材を含む>
POLYSTYRENE (PS) <RECYCLE MATERIAL CONTAINED>

- 5. 本製品は 54550-**90 の鉛フリー品である。
THIS PRODUCT IS LEAD FREE OF 54550-**90.



54550-**94 MODEL No.

REVISED EC NO: J2005-1954 DRAWN: NABEI 2005/01/13 CHKD: K. TOJO 2005/01/14 APPR: NUKITA 2005/01/18	GENERAL TOLERANCES (UNLESS SPECIFIED)		DIMENSION STYLE MM ONLY		SCALE ---	DESIGN UNITS METRIC	THIRD ANGLE PROJECTION
	10 UNDER	±0.2	DRAWN BY M. NINOMIYA	DATE '03/12/22	TITLE 0.5 FPC CONN ZIF HSG EMBSTP PKG -LEAD FREE-		
	10 OVER 30 UNDER	±0.25	CHECKED BY K. TOJO	DATE '03/12/22	MOLEX INCORPORATED		
	30 OVER	±0.3	APPROVED BY M. SASAO	DATE '03/12/22	DOCUMENT NO. SD-54550-020	SHEET NO. 1 OF 4	
	ANGULAR	±3 °	MATERIAL NO. SEE CHART				
DRAFT WHERE APPLICABLE MUST REMAIN WITHIN DIMENSIONS		SIZE A3 THIS DRAWING CONTAINS INFORMATION THAT IS PROPRIETARY TO MOLEX INCORPORATED AND SHOULD NOT BE USED WITHOUT WRITTEN PERMISSION					

10 9 8 7 6 5 4 3 2 1

F

E

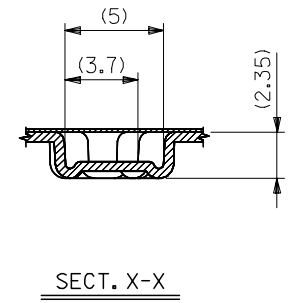
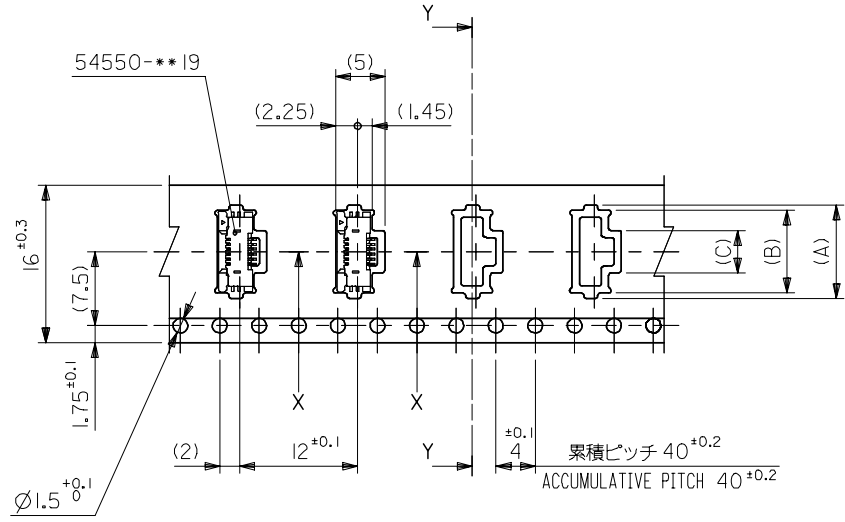
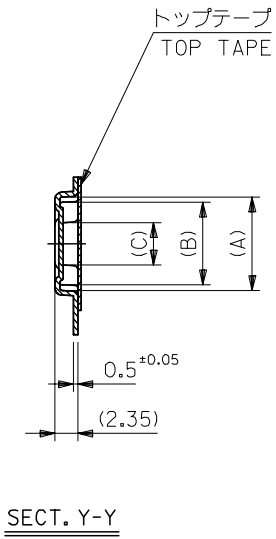
D

C

B

A

引き出し方向
PULL OUT DIRECTION



16mm幅キャリアテープ
16mm WIDTH CARRIER TAPE

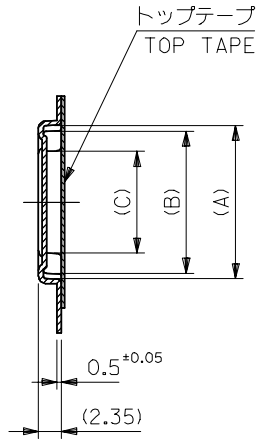
16	21.4	17.4	4.3	8.4	9.5	54550-0694	6
			3.8	7.9	9	54550-0594	5
			3.3	7.4	8.5	54550-0494	4
キャリアテープ幅 CARRIER TAPE WIDTH	E	D	(C)	(B)	(A)	製品番号 MATERIAL No.	極数 CK+

REVISED EC NO: J2005-1954 2005/01/13 DRAWN: NABEI 2005/01/14 CHKDK: TOJO 2005/01/18 APPR: NUKITA	GENERAL TOLERANCES (UNLESS SPECIFIED)		DIMENSION STYLE MM ONLY		SCALE ---	DESIGN UNITS METRIC	THIRD ANGLE PROJECTION
	10 UNDER	±0.2	DRAWN BY M. NINOMIYA	DATE '03/12/22	TITLE 0.5 FPC CONN ZIF HSG EMBSTP PKG -LEAD FREE-		
	10 OVER 30 UNDER	±0.25	CHECKED BY K. TOJO	DATE '03/12/22	MOLEX INCORPORATED		
	30 OVER	±0.3	APPROVED BY M. SASAO	DATE '03/12/22	DOCUMENT NO. SD-54550-020		
	ANGULAR	±3 °	MATERIAL NO.	SEE CHART	SHEET NO. 2 OF 4		
DRAFT WHERE APPLICABLE MUST REMAIN WITHIN DIMENSIONS		THIS DRAWING CONTAINS INFORMATION THAT IS PROPRIETARY TO MOLEX INCORPORATED AND SHOULD NOT BE USED WITHOUT WRITTEN PERMISSION					

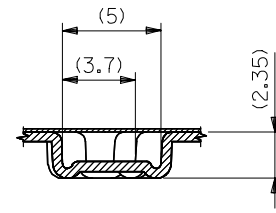
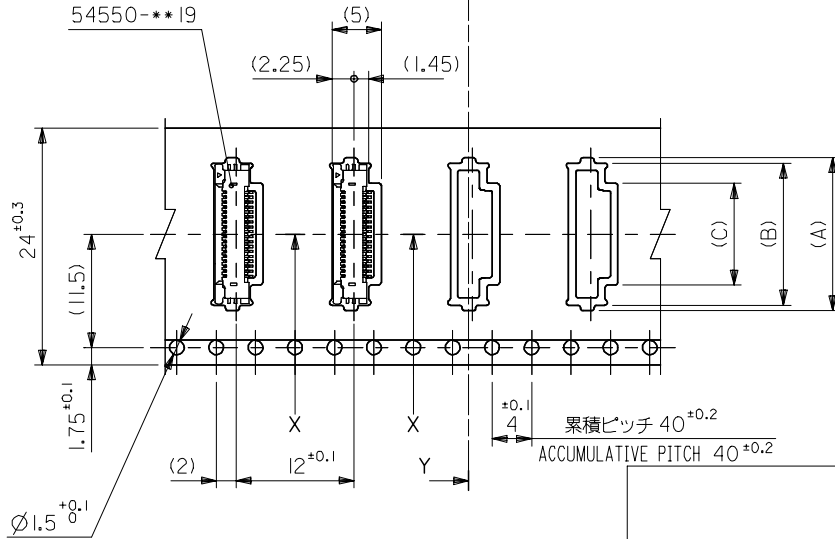
10 9 8 7 6 5 4 3 2 1

F
E
D
C
B
A

引き出し方向
PULL OUT DIRECTION



SECT. Y-Y



SECT. X-X

24mm幅キャリアテープ
24mm WIDTH CARRIER TAPE

24	29.4	25.4	22	17.5	16.4	12.3	54550-2294	22
			21	17	15.9	11.8	54550-2194	21
			20	16.5	15.4	11.3	54550-2094	20
			19	16	14.9	10.8	54550-1994	19
			18	15.5	14.4	10.3	54550-1894	18
			17	15	13.9	9.8	54550-1794	17
			16	14.5	13.4	9.3	54550-1694	16
			15	14	12.9	8.8	54550-1594	15
			14	13.5	12.4	8.3	54550-1494	14
			13	13	11.9	7.8	54550-1394	13
			12	12.5	11.4	7.3	54550-1294	12
			11	12	10.9	6.8	54550-1194	11
			10	11.5	10.4	6.3	54550-1094	10
			9	11	9.9	5.8	54550-0994	9
			8	10.5	9.4	5.3	54550-0894	8
7	10	8.9	4.8	54550-0794	7			
キャリアテープ幅 CARRIER TAPE WIDTH	E	D	(C)	(B)	(A)	製品番号 MATERIAL No.	極数 CK+	

REVISED EC NO: J2005-1954 DRAWN: NABEI 2005/01/13 CHKD: K. TOJO 2005/01/14 APPR: NUKITA 2005/01/18	GENERAL TOLERANCES (UNLESS SPECIFIED)		DIMENSION STYLE MM ONLY		SCALE ---	DESIGN UNITS METRIC	THIRD ANGLE PROJECTION
	10 UNDER	±0.2	DRAWN BY M. NINOMIYA	DATE '03/12/22	TITLE 0.5 FPC CONN ZIF HSG EMBSTP PKG -LEAD FREE-		
	10 OVER 30 UNDER	±0.25	CHECKED BY K. TOJO	DATE '03/12/22	MOLEX INCORPORATED		
	30 OVER	±0.3	APPROVED BY M. SASAO	DATE '03/12/22	DOCUMENT NO. SD-54550-020	SHEET NO. 3 OF 4	
	ANGULAR	±3 °	MATERIAL NO. SEE CHART				
DRAFT WHERE APPLICABLE MUST REMAIN WITHIN DIMENSIONS		THIS DRAWING CONTAINS INFORMATION THAT IS PROPRIETARY TO MOLEX INCORPORATED AND SHOULD NOT BE USED WITHOUT WRITTEN PERMISSION					

10 9 8 7 6 5 4 3 2 1

F

E

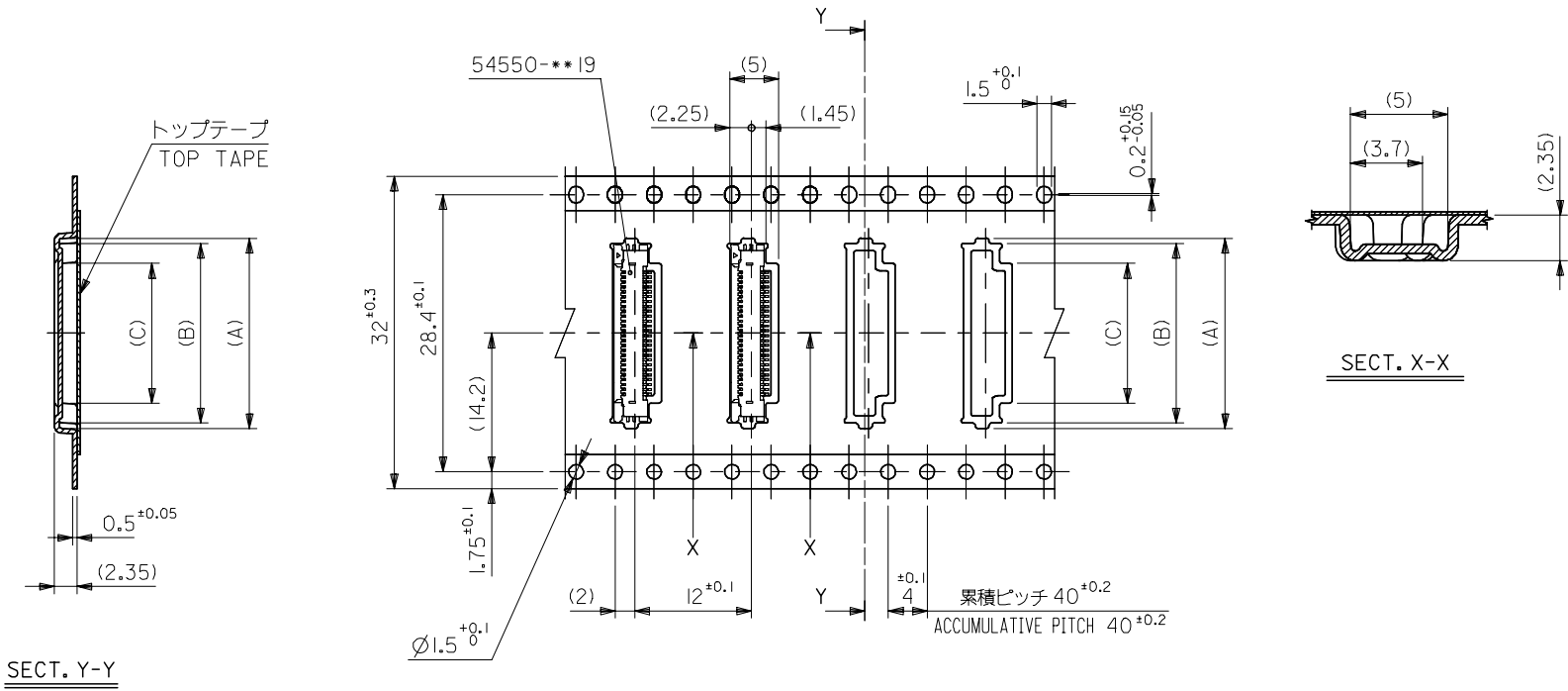
D

C

B

A

引き出し方向
PULL OUT DIRECTION



32mm幅キャリアテープ
32mm WIDTH CARRIER TAPE

32	37.4	33.4	14.3	18.4	19.5	54550-2694	26
			13.8	17.9	19.0	54550-2594	25
			13.3	17.4	18.5	54550-2494	24
キャリアテープ幅 CARRIER TAPE WIDTH	E	D	(C)	(B)	(A)	製品番号 MATERIAL No.	極数 CK+

REVISED EC No: J2005-1954 DRAWN: NABEI CHKD: K. TOJO APPR: NUKITA 2005/01/13 2005/01/14 2005/01/18	GENERAL TOLERANCES (UNLESS SPECIFIED)		DIMENSION STYLE MM ONLY		SCALE ---	DESIGN UNITS METRIC	THIRD ANGLE PROJECTION
	10 UNDER	±0.2	DRAWN BY M. NINOMIYA	DATE '03/12/22	TITLE 0.5 FPC CONN ZIF HSG EMBSTP PKG -LEAD FREE-		
	10 OVER 30 UNDER	±0.25	CHECKED BY K. TOJO	DATE '03/12/22	MOLEX INCORPORATED		
	30 OVER	±0.3	APPROVED BY M. SASAO	DATE '03/12/22	DOCUMENT NO. SD-54550-020	SHEET No. 4 OF 4	
	ANGULAR	±3 °	MATERIAL No.	SEE CHART	THIS DRAWING CONTAINS INFORMATION THAT IS PROPRIETARY TO MOLEX INCORPORATED AND SHOULD NOT BE USED WITHOUT WRITTEN PERMISSION		
DRAFT WHERE APPLICABLE MUST REMAIN WITHIN DIMENSIONS							

9

8

7

6

5

4

3

2