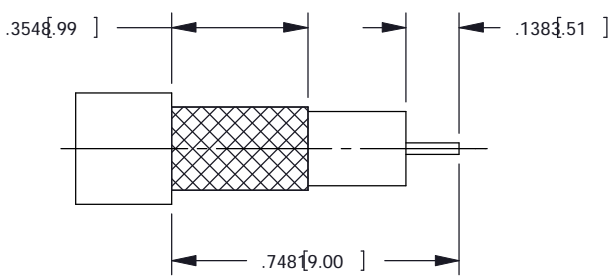
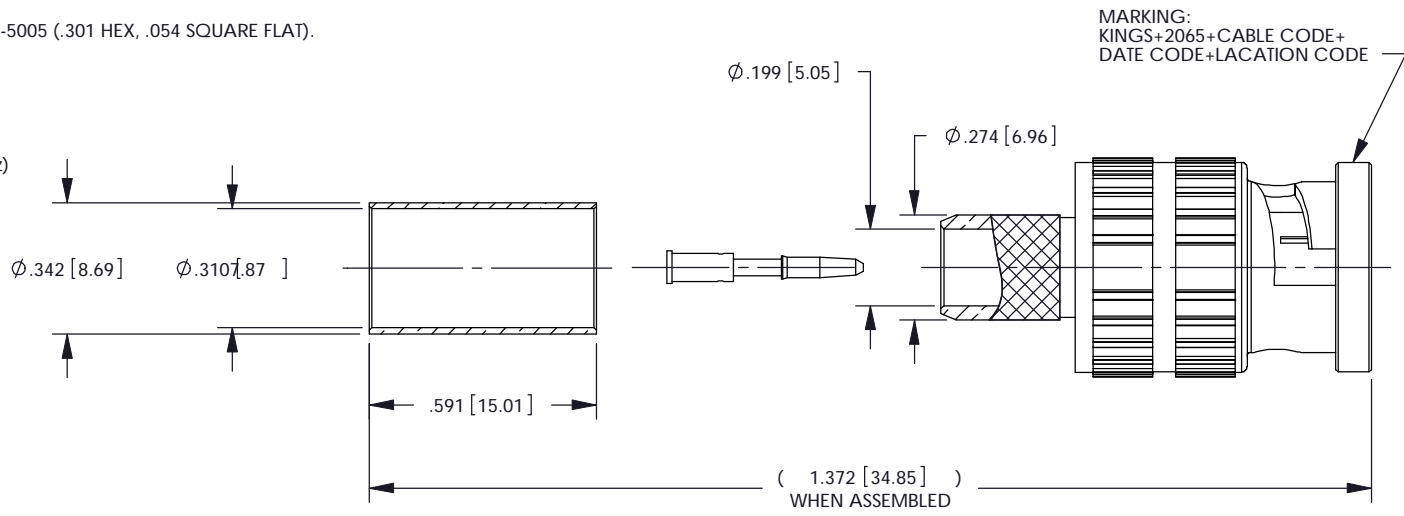


NOTES: UNLESS OTHERWISE SPECIFIED

- FOR GENERAL SERIES SPECIFICATIONS, SEE SDPRF-206.
- MATERIAL SPECIFICATIONS:
 BAYONET SLEEVE, BODY, CONTACT, FERRULE: BRASS PER ASTM B16
 INSULATOR: TEFLON PER ASTM D1710
 SPRING WASHER, OUTER CONTACT: BERYLLIUM COPPER, ASTM-B-194
 GASKET: SILICONE RUBBER
- FINISH SPECIFICATIONS:
 BAYONET SLEEVE, BODY, FERRULE: .000100MIN NICKEL PER AMS-QQ-N-290
 OVER COPPER FLASH PER ASTM B734 (ROHS)
 CONTACT: .000050 MIN. GOLD PER ASTM B488, OVER NICKEL PER
 AMS-QQ-N-290 (ROHS)
 ALL OTHER METAL PARTS: .000050 MIN NICKEL PER AMS-QQ-N290 OVER
 .000050 MIN COPPER PER ASTM B734
- CONTACT AND FERRULE SHIPPED LOOSE.
- FOR USE WITH TACHII CABLE TCX-5C2V & TCX-5C2VS OR EQUIVALENT.
- FOR CRIMPING USE KINGS KTH-5000 & KTH-5005 (.301 HEX, .054 SQUARE FLAT).
- ASSEMBLE TO CABLE USING CAP-E01.
- ELECTRIC SPECIFICATIONS:
 IMPEDANCE: 75 OHMS
 FREQUENCY RANGE: DC TO 3 GHz
 RETURN LOSS: 25 dB MIN (DC TO 3 GHz)

REV	DESCRIPTION	BY DATE	APPD
B	REVISED PER ECR08-ER12110	11/17/08 HUN	CY



RECOMMENDED CABLE TRIMMING DIMENSIONS

CATALOG P/N: 2065-E00-5C201N

PER ASME Y14.5M-1994 UNLESS OTHERWISE SPECIFIED: DIMENSIONS ARE IN INCHES [MM] TOLERANCES: DECIMAL: XX [X.X] ± .01 [0.3] XXX [X.XX] ± .005 [0.13] XXXX [X.XXX] ± .0005 ANGLES: ± 2° SCALE: 2:1				 Winchester Electronics Corporation 62 Barnes Industrial Road North Wallingford, Connecticut 06492	
CUSTOMER DRAWING					
DRAWN CY	DATE 03/05/08	APPROVED R.FAZIO	DATE 03/05/08	BNC 75 PLUG FOR TACHII TCX-5C2V(S) (ROHS COMPLIANT)	
APPROVED D.CAM	DATE 03/05/08	APPROVED XXX	DATE XX/XX/XX		
A				SD2065-E00-5C201N	SHT 1 OF 2
				REV	B

