

**P/N: VP2006B DATA SHEET****Feature**

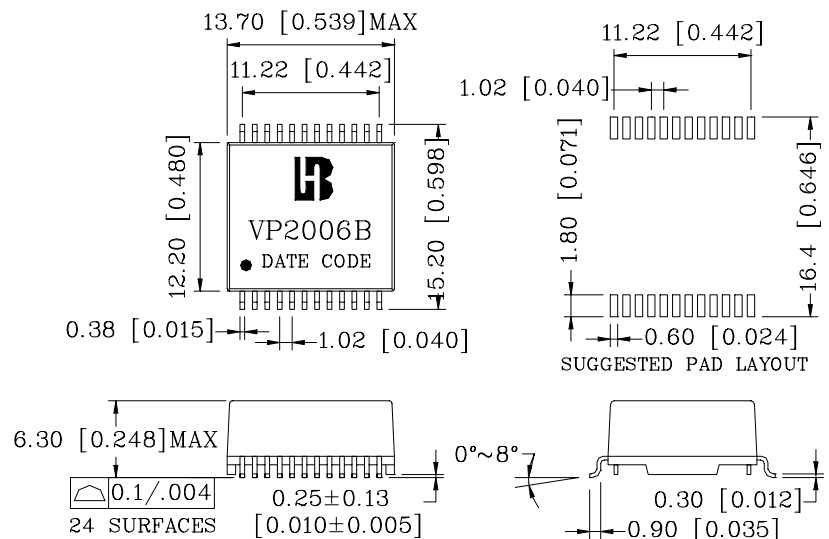
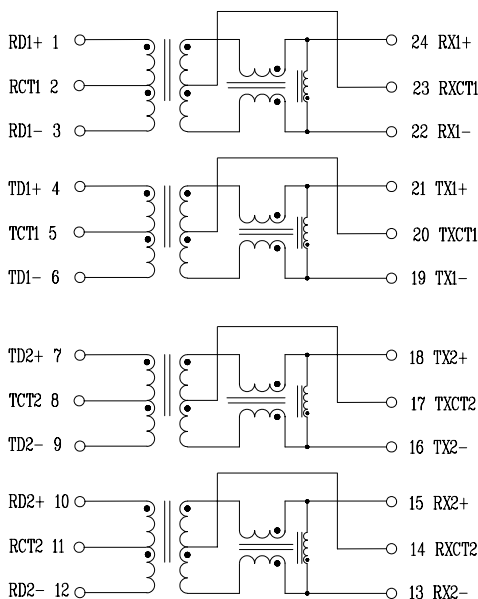
- IEEE 802.3af/ANSI X3.263 compliant performance.
- 350mA current capability.
- Designed for IP phone or switch applications.
- Compact footprint.
- The mold offer Auto MDIX capability.
- Operating temperature range : 0 to +70 .
- Storage temperature range: -25 to +125 .

Electrical Specifications @ 25°C

| Part Number | Turns Ratio (±5%) | | Cross talk Attenuation (dB Min) | | | HI-POT (Vrms) |
|-------------|-------------------|----------|---------------------------------|-------|--------|---------------|
| | TX | RX | 30MHz | 60MHz | 100MHz | |
| VP2006B | 1CT: 1CT | 1CT: 1CT | -43 | -37 | -31 | 1500 |

Continue

| Part Number | Insertion Loss (dB Max) | Return Loss (dB Min) | | | | DCMR (dB Min) TX/RX | | |
|-------------|-------------------------|----------------------|-------|--------|----------|---------------------|-------|--------|
| | 1-100MHz | 1-30MHz | 40MHz | 50 MHz | 60-80MHz | 30MHz | 60MHz | 100MHz |
| VP2006B | -1.2 | -16 | -14 | -13 | -12 | -43 | -37 | -33 |

Schematic**Mechanical**

Units: mm [Inches] Tolerance: xx.x0±0.25 [0.010]
0.xx±0.05 [0.002]