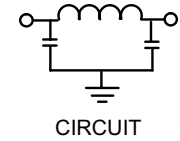
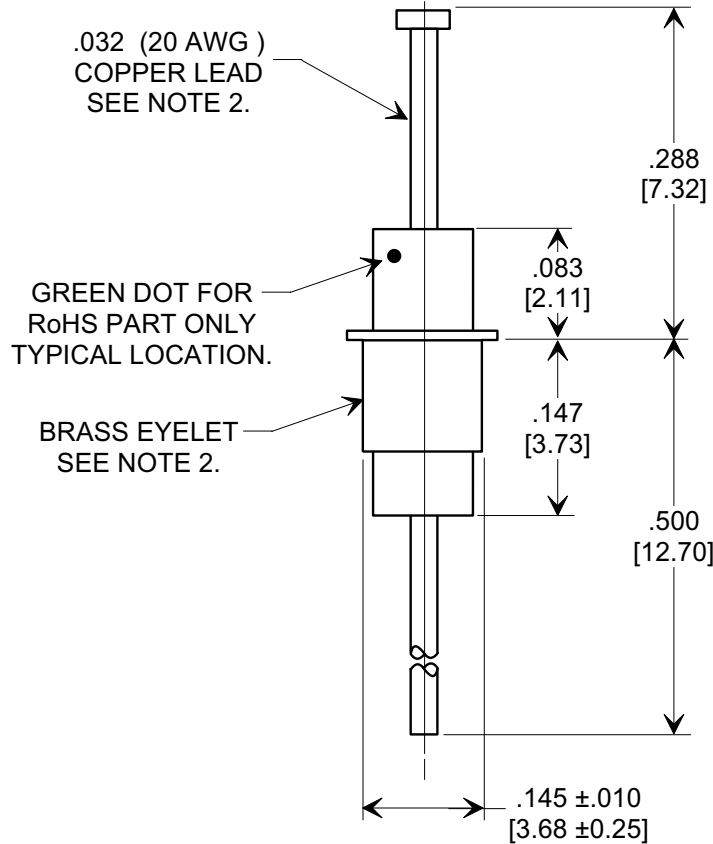
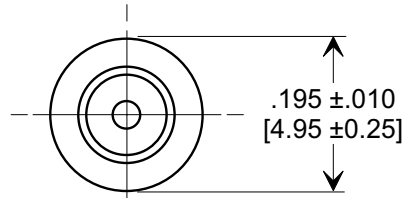
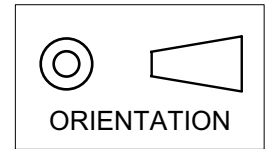


MARKETING SALES DRAWING
DIMENSIONS IN INCHES - DO NOT SCALE THIS DRAWING
DIMENSIONS IN METRIC - []

Electrical Testing
per Tusonix standard
test plans and Mil-Std-202
Test Methods.



Notes:

- Tusonix Standard part number: 4101-023.
Tusonix RoHS compliant part number: 4101-023 LF.
Customer must specify Standard or RoHS part number when ordering.
- Lead finish: Standard Part No.: 60/40 solder plated. RoHS Part No. Silver Plated.
Eyelet finish Standard Part No.: 60/40 solder plated. RoHS Part No. Silver Plated.
- Part Marking: Standard has no marking. RoHS part: Green Dot.

MIN. CAP.	WORKING VOLTAGE		CURRENT Idc.	I.R. MIN. @ 100 (VDC.)	DWV (VDC)	MINIMUM NO LOAD INSERTION LOSS (dB) AT 25°C PER MIL-STD-220			
	85°C	125°C				10MHz	100MHz	1GHz	10GHz
3000	250	125	10A	10 G Ω	500	5	50	60	60

X-2015 Rev-0	REVISION RECORD	0	Original Release C.O. 931108-4	1	REDRAWN TO COMP. FORMAT MIN. CAP WAS 1750 EC 10/03/95	2	RMVD WASHERS DIM .083 WAS .093 & .147 WAS .157. S.M. 12-09-96	3	ADDED NOTES, METRIC, IR & DWV. S.M. 09-14-05	20050829-1-12	--TOLERANCES-- Unless Otherwise Specified	Title EYELET STYLE EMI FILTER		
											DECIMAL ± .015 [0.38]	Drawn E.C. 10-03-95	Scale NONE	
												ANGLES ±	Approved B.M. 10-03-95	
												TUSONIX TUCSON, ARIZONA	A	4101-023