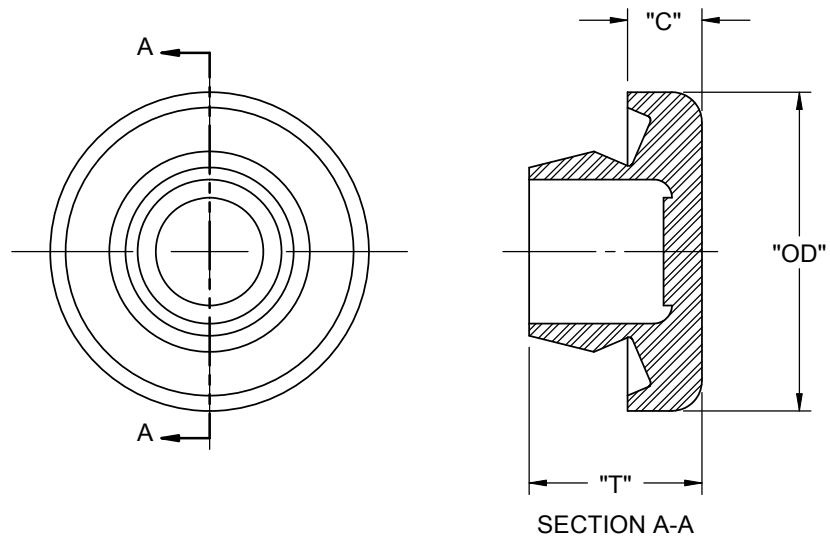


PART NO.	PANEL HOLE SIZE "H"	PANEL THICKNESS "P"	HEAD HEIGHT "C"	OUTSIDE DIAMETER "OD"	BODY PLUG THICKNESS "T"	MATERIAL
BP-16230	10±0.1[.394±.004]	0.8-2 [.032-.079]	5 [.20]	19.3 [.76]	10.9 [.43]	RMS-262
BP-16231	12±0.2[.472±.008]			21 [.83]	11.4 [.45]	
BP-16232	14±0.2[.551±.008]			23 [.91]	11.4 [.45]	
BP-16233	16±0.2[.630±.008]			25 [.98]	12 [.47]	RMS-67
BP-16234	18±0.2[.709±.008]			27 [1.06]	11.4 [.45]	
BP-16236	22±0.2[.866±.008]		4.5 [.18]	31.2 [1.23]	10.9 [.43]	RMS-262
BP-16238	30±0.2[1.181±.008]		4.25 [.17]	39.4 [1.55]	10.7 [.42]	



- NOTES:
1. MATERIAL: THERMOPLASTIC ELASTOMER UL 94 HB.
  2. COLOR: BLACK.
  3. AT NOMINAL PANEL HOLE SIZE AND MAXIMUM PANEL THICKNESS PARTS CONFORM TO IP67
  4. ALTERNATE UNITS FOR REFERENCE ONLY

TITLE: <b>BODY PLUG</b>			DWG IN mm [IN]		FINAL	
CREATED USING SOLIDWORKS	FILE #: BP	DWN: SK	APP: RT	PART #		
TOLERANCES UNLESS NOTED ±0.5 ANG.±1°	SHEET: 1 OF 1	SHEET SIZE: A	DT: 06/11/07	CHKD: DZ	PRINT TYPE	
RE: RICHCO, INC.	RICHCO, INC.		RICHCO, INC.		SEE TABLE	
ENG. DATE	--		ENG@RICHCO-INC.COM (773) 539-4060		CA	
D SEE CO 200420 FOR CHANGES SK 08/21/09						
C SEE CO 200041 FOR CHANGES SK 09/28/07						
B SEE ECN #1332 FOR CHANGES SK 06/12/07						
A CHANGED FILE NO. AND TABLE HEADING SM 01.02.02						
REV. DESCRIPTION ENGR. DATE						