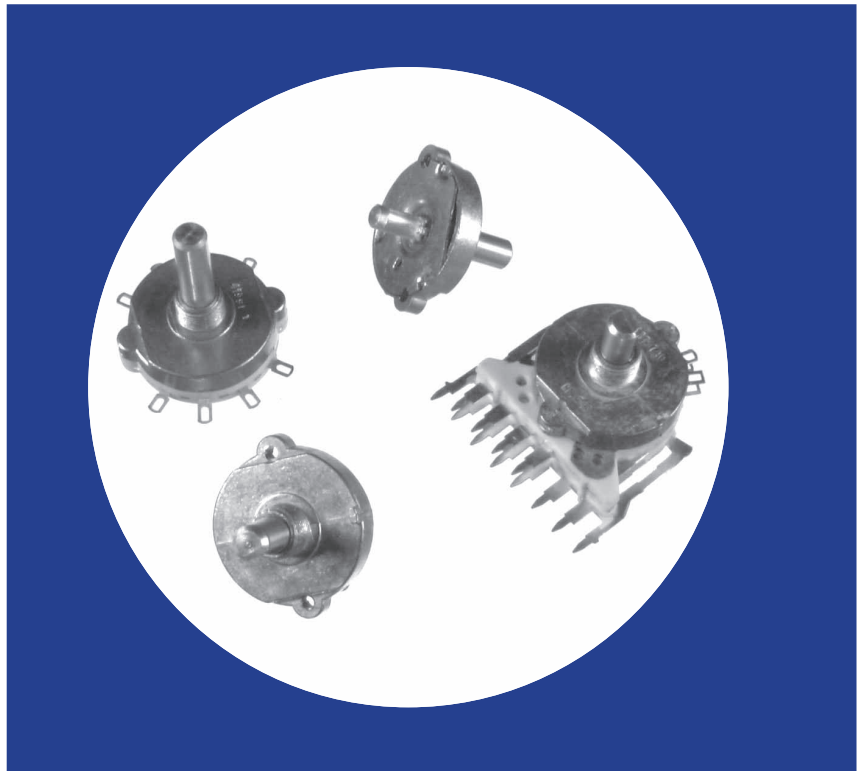


## CTS 227 Rotary Switches

### Features

- Hill and valley detent
- Enclosed diecast detent plate
- Low cost
- 30° indexing
- Solder lug and printed circuit terminals available
- Molded stator prevents solder from flowing into the circuit
- Custom switching patterns available
- Index or wafers are available separately
- RoHS compliant



## Electrical and Mechanical Specifications

### Indexing

Double bump spring hill and valley detent with 30° indexing for 2 through 12 positions or continuous rotation.

### Voltage and Contact Rating

UL Rating: 3/4 amp at 125 VAC (shorting type only)  
Special Rating: 1/4 amp at 28 VDC (shorting or non shorting)  
1 amp at 28 VDC (shorting type only)

### Contact Resistance

.015 ohm when measured from adjacent terminals

### Stop Strength

15 in-lb (17.3Kgf-cm).

### Torque

As required within a range of 10 in-oz. (720gf-cm) to 60 in-oz. (4.3Kg-cm).

### Detent Rotational Life

Standard: 25,000 cycles through 12 positions and return at 10 cycles per minute.

### Materials

Shaft: Aluminum or unplated brass at CTS option  
Bushing: Brass or Zinc diecast at CTS  
Detent Spring: Stainless steel  
Detent Plate: Zinc diecast  
Rotor Contacts, Stator Contacts and Terminals: Silver plated brass standard  
Stator Insulator: Glass reinforced thermoset material

### Bushing Lengths

Standard: 3/8"-32 UNEF-2A Thread, 1/4" (6.35mm) or 3/8" (9.53mm) long.  
Special Lengths: Available as required — Brass

### Locating Lugs

Standard: Left side .531" (13.5mm) radius  
Special: Right side .531" (13.5mm) radius or no lug

### Shaft Trim

Standard: Plain round  
Special: Flat, slot, knurl, or mixed (flat with slot)

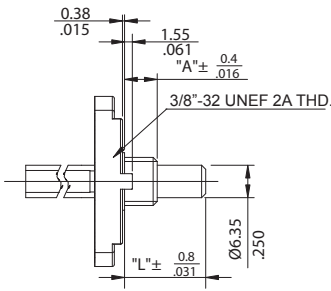
### Frames

Machine screw, or staked strut (up to 3 wafers only)

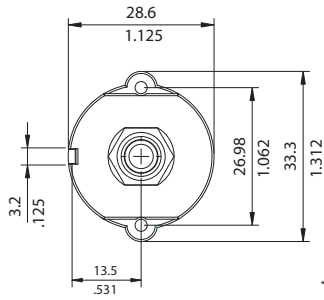
### Lubrication

Special lubrication is used sufficient for the life of the index assembly under normal hand operation.

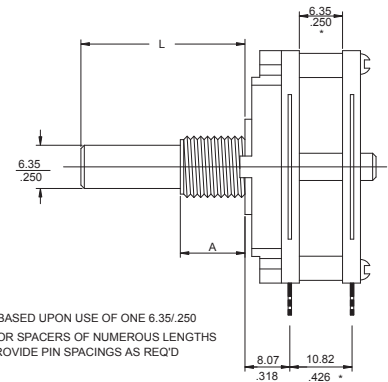
# Physical Dimensions



Detent Only



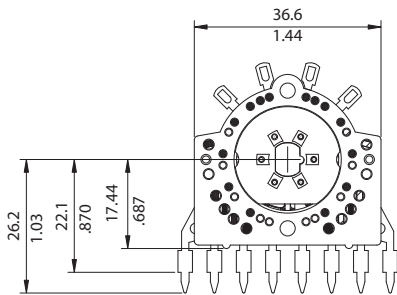
\* NOTE :  
10.82/.426 DIMENSION BASED UPON USE OF ONE 6.35/.250  
SPACE NO SPACERS OR SPACERS OF NUMEROUS LENGTHS  
ARE AVAILABLE TO PROVIDE PIN SPACINGS AS REQ'D



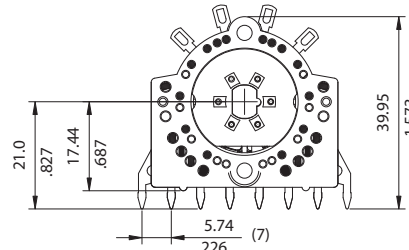
Typical Assembled Switch

DIMENSION:  $\frac{\text{mm}}{\text{INCH}}$

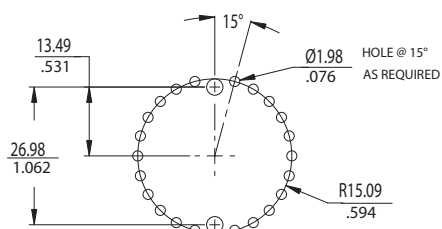
# Available Terminal Styles



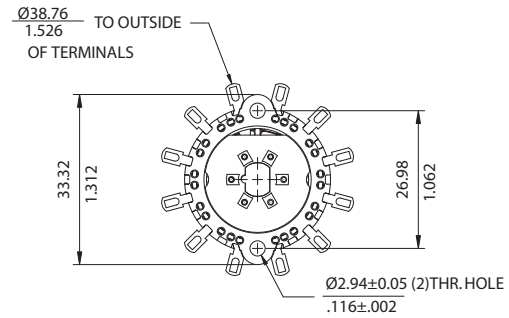
Y-Style



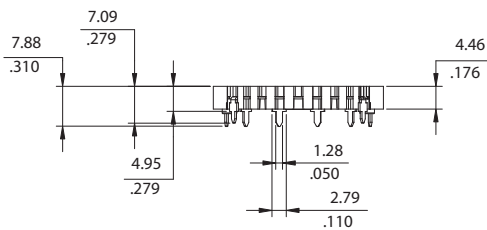
X-Style



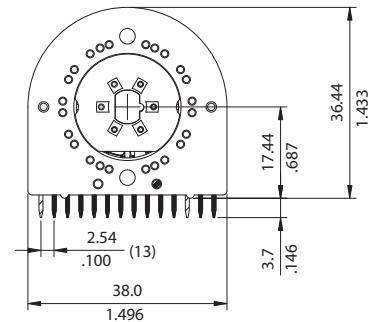
P.C. BOARD MOUNTING HOLE  
#4-40 PANHEAD SCREWS



T-Style



U-Style



P-Style

DIMENSION:  $\frac{\text{mm}}{\text{INCH}}$

## Ordering Information

