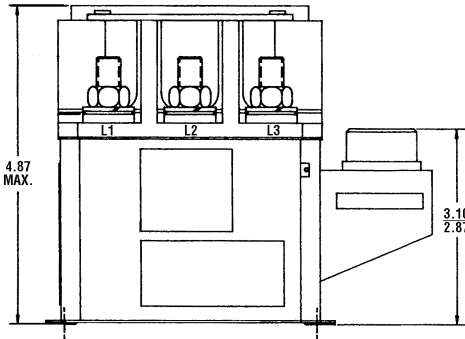
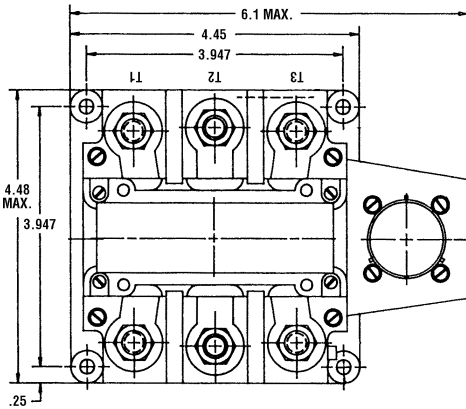


# B-484 3PST, Magnetic Latch, 500 Amps, 115/200 VAC, 400 Hz

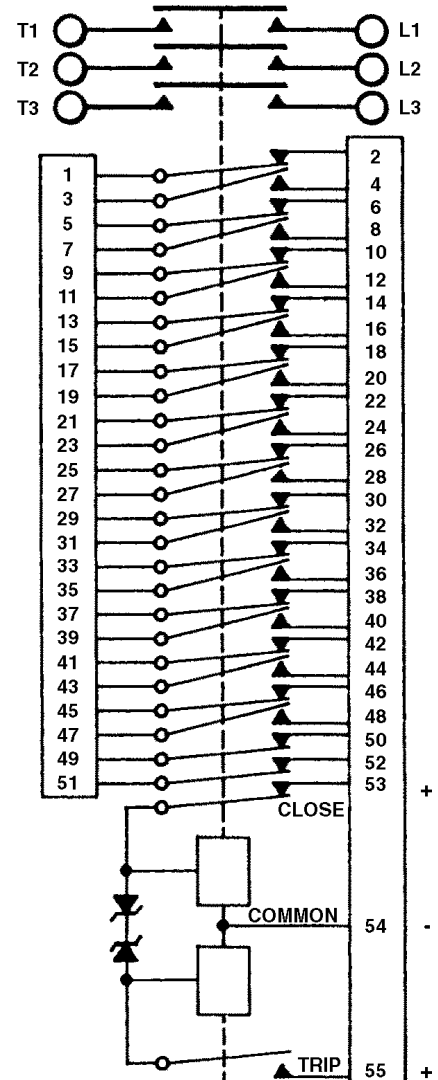


Dimensions for this product are expressed in inches. Multiply values by 25.4 for millimeters.

**Features:**

- 3PST Main Contacts
- Magnetic Latch
- Self De-Energizing Coil
- 115/200 VAC, 400 Hz
- 500 Amps
- High Reliability
- Meets many requirements of MIL-R-6106

**CONTACTOR CONFIGURATION**



PRODUCT SPECIFICATIONS	
Construction	Gasket Sealed, Vented
Main Contacts:	
Configuration	3PST Magnetic Latch
Voltage (Nominal)	115/200 VAC, 400 Hz
Current (Resistive)	500 Amps
Auxiliary Contacts:	
Configuration	12-SPST N.O., 14-SPST N.C.
Voltage (Nominal)	28 VDC or 115 VAC, 400 Hz
Current	7.5 Amps
Coil Data:	
Duty Cycle	Continuous, Self De-Energizing
Voltage (Nominal)	28 VDC
Operating Voltage	
Close	15 - 29 VDC
Trip	15 - 29 VDC
Coil Current @ 28 VDC & +25°C	
Close	9.3 Amps Maximum
Trip	5.6 Amps Maximum
Operating Temperature	-54°C to +71°C
Life:	
Electrical	50,000 Cycles
Mechanical	100,000 Cycles
Weight	4.5 Lbs.

**Notes:**

For factory-direct application assistance, contact the HARTMAN product team at (419) 521-9500, Fax (419) 526-2749.

© 2004 by Tyco Electronics Corporation. All Rights Reserved. HARTMAN and TYCO are trademarks.