



4A TRIACS

T405-600B-TR

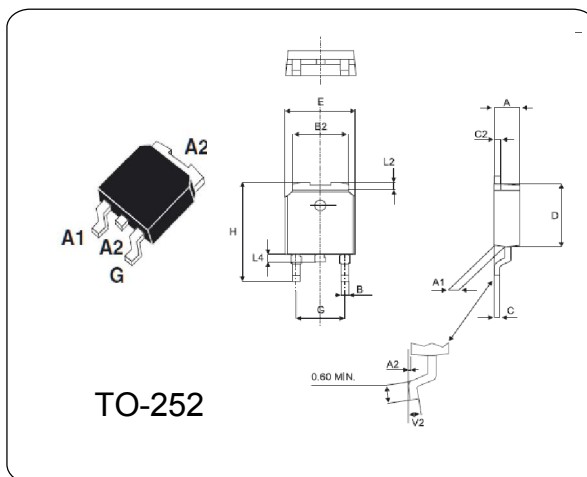
GENERAL DESCRIPTION

Available either in through-hole or surface-mount packages, the T405 - 600B triac series is suitable for general purpose AC switching. They can be used as an ON/OFF function in applications such as static relays, heating regulation, induction motor starting circuits... or for phase control operation in light dimmers, motor speed controllers, ...

The snubberless versions (T4 Series) are specially recommended for use on inductive loads, thanks to their high commutation performances. By using an internal ceramic pad,

ABSOLUTE MAXIMUM RATINGS (Ta = 25 °C)

PARAMETER	Symbol	Value	Unit
Repetitive peak off-state voltages	V_{DRM}	600	V
peak off-state reverse voltages	V_{RRM}	600	V
RMS on-state current	I_T	4.0	A
Non-repetitive peak on-state current	I_{TSM}	30	A
Max. Operating Junction Temperature	T_j	110	°C
Storage Temperature	T_{stg}	-45~150	°C



ELECTRICAL CHARACTERISTICS (Ta = 25 °C)

PARAMETER		Symbol	Test Conditions	Min.	Max	Unit
Repetitive peak off-state voltages		V_{DRM}	$I_D=0.1mA$	600	—	V
Repetitive peak off-state current		I_{DRM}	$V_{DRM}=520V$	—	10	uA
On-state voltage		V_{TM}	$I_T=5.5A$ $t_p=380\mu s$	—	1.60	V
Holding current		I_H	$I_T=0.5A, I_{GT}=20mA$	—	10	mA
Gate trigger Current	T2+G+	I_{GT}	$V_{AK}=12V, R_L=30\Omega$	—	5	mA
	T2+G-			—	5	
	T2-G-			—	5	
	T2-G+			—	10	
Gate trigger Voltage	T2+G+	V_{GT}	$V_D=12V, R_L=30\Omega$	—	1.3	V
	T2+G-			—	1.3	
	T2-G-			—	1.3	
	T2-G+			—	1.3	