

• **TFM-24**



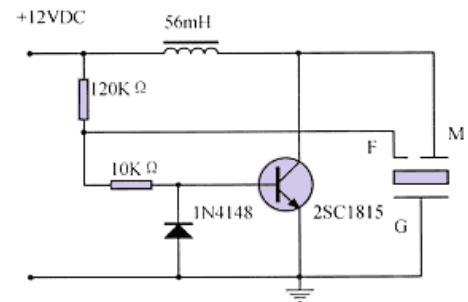
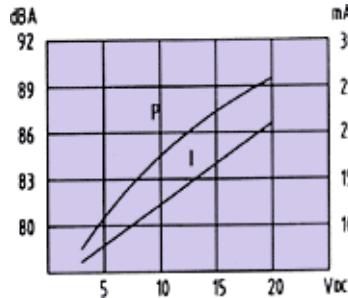
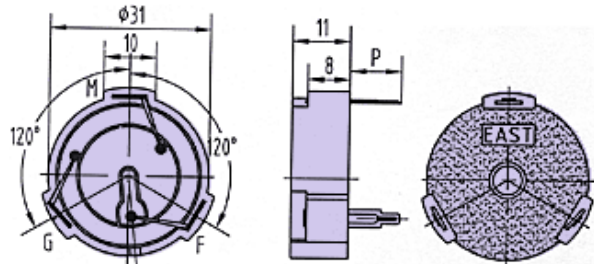
FEATURES:

- Small And Light
- Compact Structure
- High Reliabilit

DIMENSIONS: (Unit: mm)

CHARACTERISTICS:

TEST CIRCUIT:



TFM-20: P1=14 P2=10, TFM-20A: P1=8 P2=3.5

Model	TFM-24	TFM-24A
P	3.5	9.5

ELECTRICAL SPECIFICATIONS :

Model No.	TFM-24(24A)
Min. Sound Pressure Level (dB)	75 /12V _{DC} /100cm
Max. Consumption (mA)	16 /12V _{DC}
Resonant Frequency (kHz)	3.0 ± 0.5
Operating Voltage (V _{DC})	3 ~ 20
Operating Temperature (°C)	-20 ~ +70
Weight (g)	5
Case Material/Colour	PC/Black

PACKING INFORMATION :

Packing:	900 pcs per export carton
Carton Size:	47 X 30.5 X 35 cm
G. Weight:	6.0 kgs
N. Weight:	4.5 kgs