

133MHz Spread Spectrum FTG for Mobile Pentium® III Platforms

Features

- Maximized EMI suppression using Cypress's Spread Spectrum technology (-0.5% and ±0.5%)
- Single chip system FTG for Mobile Intel® Platforms
- Two CPU outputs
- Seven copies of PCI clock (one Free Running)
- Seven SDRAM clock (one DCLK for Memory Hub)
- Two copies of 48 MHz clock (non-spread spectrum) optimized for USB reference input and video DOT clock
- Three 3V66 Hublink/AGP outputs
- One VCH clock (48 MHz non-SSC or 66.67 MHz SSC)
- One APIC outputs
- One buffered reference output
- Supports frequencies up to 133 MHz
- SMBus interface for programming
- Power management control inputs

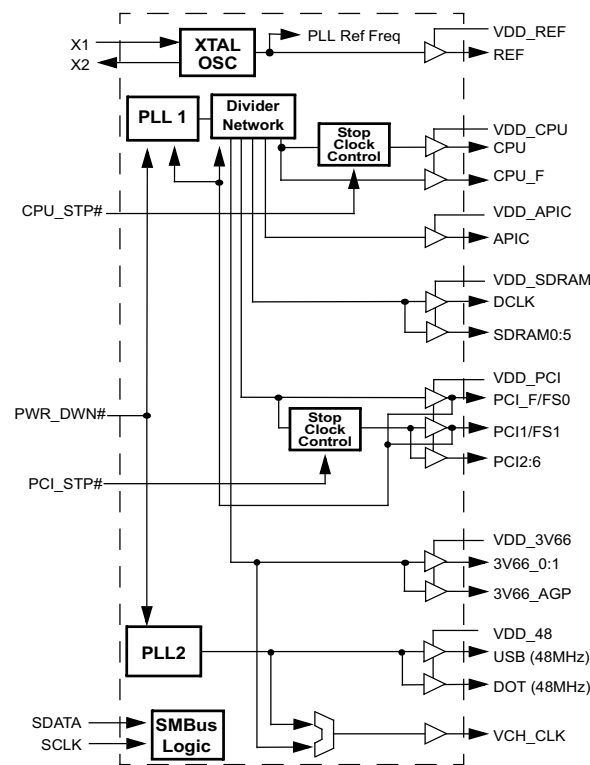
Key Specifications

- CPU, SDRAM Outputs Cycle-to-Cycle Jitter: 250 ps
- APIC, 48 MHz, 3V66, PCI Outputs Cycle-to-Cycle Jitter: 500 ps
- CPU Output Skew: 150 ps
- 3V66 Output Skew: 175 ps
- APIC, SDRAM Output Skew: 250 ps
- PCI Output Skew: 500 ps
- VDDQ3 (REF, PCI, 3V66, 48 MHz, SDRAM): 3.3V±5%
- VDDQ2 (CPU, APIC): 2.5V±5% in Selectable Frequency

Table 1. Pin Selectable Frequency

Input Address	Output Frequencies							
	FS1	FS0	CPU	SDRAM	48MHz	PCI	APIC	REF
0	0	66	100		48 MHz	33 MHz	14.318 MHz	66 MHz
0	1	100	100					
1	0	133	133					
1	1	133	100					

Block Diagram



Pin Configuration

VDD_REF	1	48	REF
X1	2	47	APIC
X2	3	46	VDD_APIC
GND_REF	4	45	VDD_CPU
GND_PCI	5	44	CPU
PCI_F/FS0^	6	43	CPU_F
PCI1/FS1^	7	42	GND_CPU
PCI2	8	41	GND_SDRAM
VDD_PCI	9	40	SDRAM0
PCI3	10	39	SDRAM1
PCI4	11	38	VDD_SDRAM
PCI5	12	37	SDRAM2
PCI6	13	36	SDRAM3
VDD_3V66	14	35	GND_SDRAM
3V66_0	15	34	SDRAM4
3V66_1	16	33	SDRAM5
3V66_AGP	17	32	DCLK
GND_3V66	18	31	VDD_SDRAM
VCH_CLK	19	30	CPU_STP#
GND_48	20	29	PCI_STP#
USB	21	28	PWR_DWN#
DOT	22	27	SCLK
VDD_48	23	26	SDATA
GND_CORE	24	25	VDD_CORE

Note:

1. Internal pull-down or pull-up resistors present on inputs marked with * or ^ respectively. Design should not rely solely on internal pull-up or pull-down resistor to set I/O pins HIGH or LOW respectively.

Pin Definitions

Pin Name	Pin No.	Pin Type	Pin Description
CPU CPU_F	44, 43	O	CPU Clock Outputs: Frequency is set by the FS0:1 inputs or through serial input interface. The CPU output is gated by the CLK_STOP# input.
PCI1:6, PCI_F/FS0, PCI1/FS1	8, 10, 11, 12, 13, 6, 7	I/O	33-MHz PCI Outputs: Except for the PCI_F output, these outputs are gated by the PCI_STOP# input. Upon power up, FS0 and FS1 is configured momentarily as input latches allowing various output frequencies to be selected. See <i>Table 2</i> .
APIC	47	O	APIC Output: 2.5V fixed 33.3-MHz clock. This output is synchronous to the CPU clock.
SDRAM0:5, DCLK	40, 39, 37, 36, 34, 33, 32	O	SDRAM Output Clocks: 3.3V outputs running at either 100 MHz or 133 MHz depending on the setting of FS0:1 inputs. DCLK is a free-running clock.
3V66_0:1, 3V66_AGP	15, 16, 17	O	66-MHz Clock Outputs: 3.3V fixed 66-MHz clock.
USB	21	O	USB Clock Output: 3.3V fixed 48-MHz, non-spread spectrum USB clock output.
DOT	22	O	Dot Clock Output: 3.3V fixed 48-MHz, non-spread spectrum signal.
REF	48	O	Reference Clock: 3.3V 14.318-MHz clock output.
VCH_CLK	19	O	Video Control Hub Clock Output: 3.3V selectable 48-MHz non-spread spectrum or 66.67-MHz spread spectrum clock output.
PWR_DWN#	28	I	Power-Down Control: 3.3V LVTTTL-compatible input that places the device in power-down mode when held LOW.
CPU_STP#	30	I	CPU Output Control: 3.3V LVTTTL-compatible input that stops only the CPU0 clock. Output remains in the LOW state.
PCI_STP#	29	I	PCI Output Control: 3.3V LVTTTL-compatible input that stops PCI1:6 clocks. Output remains in the LOW state.
SCLK	27	I	SMBus Clock Input: Clock pin for SMBus circuitry.
SDATA	26	I/O	SMBus Data Input: Data pin for SMBus circuitry.
X1	2	I	Crystal Connection or External Reference Frequency Input: This pin has dual functions. It can be used as an external 14.318-MHz crystal connection or as an external reference frequency input.
X2	3	O	Crystal Connection: Connection for an external 14.318-MHz crystal. If using an external reference, this pin must be left unconnected.
VDD_REF, VDD_PCI, VDD_3V66, VDD_48, VDD_CORE, VDD_SDRAM, VDD_SDRAM	1, 9, 14, 23, 25, 31, 38	P	3.3V Power Connection: Power supply for core logic, PLL circuitry, SDRAM outputs buffers, PCI output buffers, reference output buffers and 48-MHz output buffers. Connect to 3.3V.
VDD_APIC, VDD_CPU	45, 46	P	2.5V Power Connection: Power for APIC and CPU output buffers. Connect to 2.5V.
GND_REF, GND_PCI, GND_3V66, GND_48, GND_CORE, GND_SDRAM, GND_SDRAM, GND_CPU	4, 5, 18, 20, 24, 35, 41, 42	G	Ground Connection: Connect all ground pins to the common system ground plane.

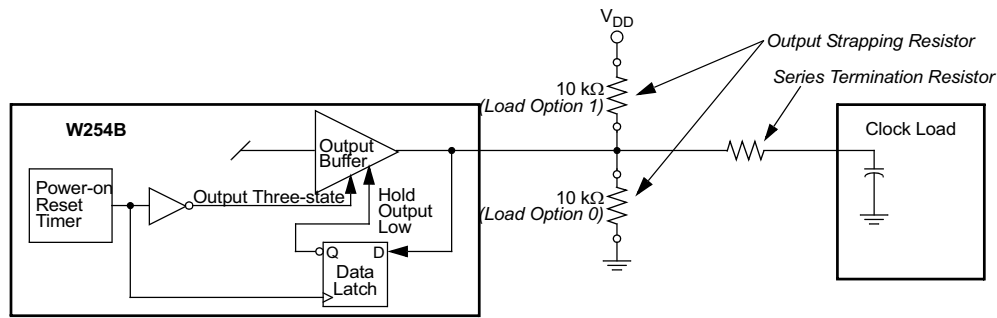


Figure 1. Input Logic Selection Through Resistor Load Option

Overview

The W254B is a highly integrated frequency timing generator, supplying all the required clock sources for an Intel® architecture platform using graphics-integrated core logic.

Functional Description

I/O Pin Operation

Pins 6 and 7 are dual-purpose I/O pins. Upon power-up these pins act as logic inputs, allowing the determination of assigned device functions. A short time after power-up, the logic state of each pin is latched and the pins then become clock outputs. This feature reduces device pin count by combining clock outputs with input select pins.

An external 10-kΩ “strapping” resistor is connected between each I/O pin and ground or VDDQ3. Connection to ground sets a latch to “0”, connection to VDDQ3 sets a latch to “1”. *Figure 1* shows one suggested method for strapping resistor connection.

Upon W254B power-up, the first 2 ms of operation is used for input logic selection. During this period, the PCI_F and PCI1 clock output buffers are three-stated, allowing the output strapping resistor on each I/O pin to pull the pin and its associated capacitive clock load to either a logic HIGH or logic LOW state. At the end of the 2-ms period, the established logic 0 or 1 condition of each I/O is pin is latched. Next the output buffers are enabled, converting all I/O pins into operating clock outputs. The 2-ms timer starts when VDDQ3 reaches 2.0V.

The input bits can only be reset by turning VDDQ3 off and then back on again.

It should be noted that the strapping resistors have no significant effect on clock output signal integrity. The drive impedance of the clock output is 40Ω (nominal), which is minimally affected by the 10-kΩ strap to ground or VDDQ3. As with the series termination resistor, the output strapping resistor should be placed as close to the I/O pin as possible in order to keep the interconnecting trace short. The trace from the resistor to ground or VDDQ3 should be kept less than two inches in length to prevent system noise coupling during input logic sampling.

When the clock outputs are enabled following the 2-ms input period, target (normal) output frequency is delivered, assuming that VDDQ3 has stabilized. If VDDQ3 has not yet reached full value, output frequency initially may be below target but will increase to target once VDDQ3 voltage has stabilized. In either case, a short output clock cycle may be produced from the CPU clock outputs when the outputs are enabled.

CPU/ SDRAM Frequency Selection

CPU output frequency is selected with I/O pins 6 and 7. For CPU/SDRAM frequency programming information refer to *Table 2*. Alternatively, frequency selections are available through the serial data interface.

Table 2. Frequency Select Truth Table^[2]

Input Address		Output Frequencies						
FS1	FS0	CPU	SDRAM	48 MHz ^[3]	PCI	APIC	REF	3V66
0	0	66	100	48 MHz	33 MHz		14.318 MHz	66 MHz
0	1	100	100					
1	0	133	133					
1	1	133	100					

Notes:

- Range of reference frequency allowed is min. = 14.316 MHz, nominal = 14.31818 MHz, max. = 14.32 MHz.
- Frequency accuracy of 48 MHz must be +167 PPM to match USB default.

Offsets Among Clock Signal Groups

Figure 2 and Figure 3 represent the phase relationship among the different groups of clock outputs from W254B when it is providing a 66-MHz CPU clock and a 100-MHz CPU clock,

respectively. It should be noted that when CPU clock is operating at 100 MHz, CPU clock output is 180 degrees out of phase with SDRAM clock outputs.

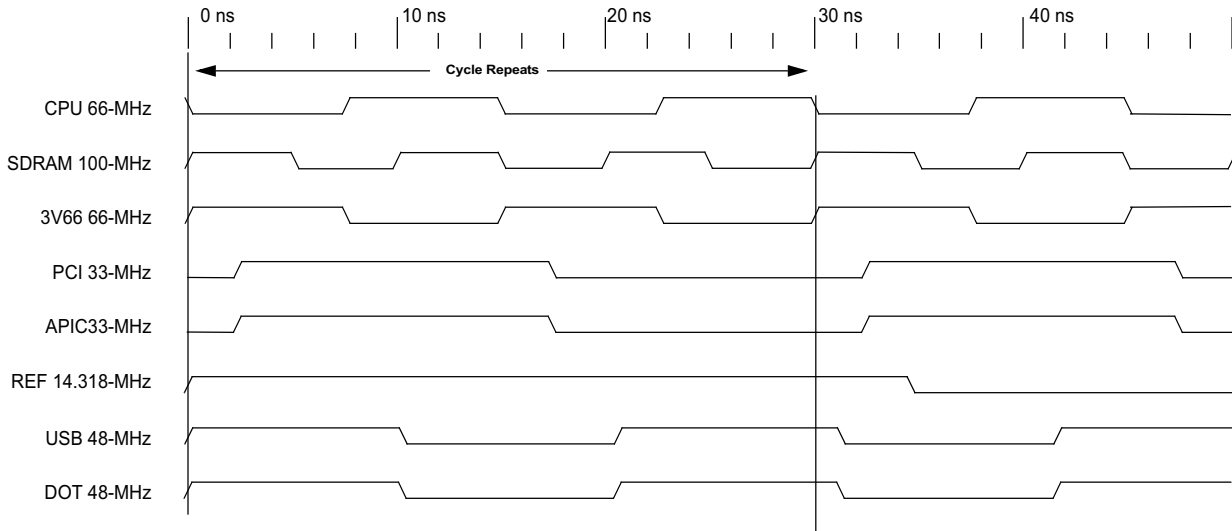


Figure 2. Group Offset Waveforms (66 Mhz CPU/100 MHz SDRAM Clock)

Table 3. 66 MHz Group Timing Relationships and Tolerances

Table 4.

	CPU to SDRAM	CPU to 3V66	SDRAM to 3V66	3V66 to PCI	PCI to APIC	USB & DOT
Offset	-2.5 ns	7.5 ns	0.0 ns	1.5-3.5 ns	0.0 ns	Async
Tolerance	500 ps	500 ps	500 ps	500 ps	1.0 ns	N/A

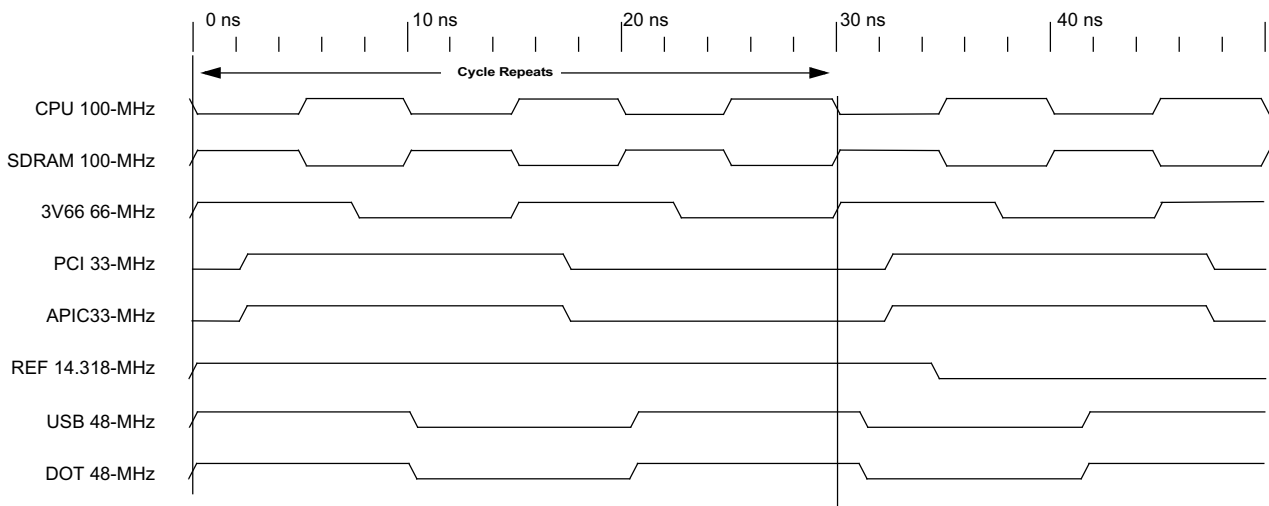
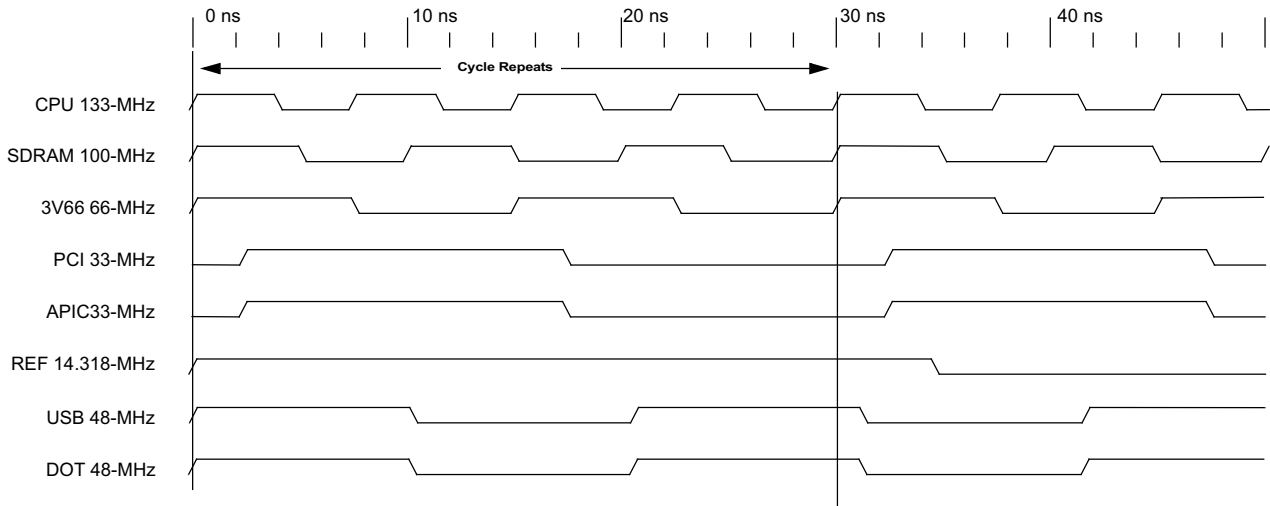


Figure 3. Group Offset Waveforms (100 MHz CPU/100 MHz SDRAM Clock)

Table 5. 100 MHz Group Timing Relationships and Tolerances
Table 6.

	CPU to SDRAM	CPU to 3V66	SDRAM to 3V66	3V66 to PCI	PCI to APIC	USB & DOT
Offset	5.0 ns	5.0ns	0.0 ns	1.5-3.5 ns	0.0 ns	Async
Tolerance	500 ps	500 ps	500 ps	500 ps	1.0 ns	N/A


Figure 4. Group Offset Waveforms (133-MHz CPU/100-MHz SDRAM Clock)
Table 7. 133 MHz/SDRAM 100 MHz Group Timing Relationships and Tolerances

	CPU to SDRAM	CPU to 3V66	SDRAM to 3V66	3V66 to PCI	PCI to APIC	USB & DOT
Offset	0.0 ns	0.0 ns	0.0 ns	1.5-3.5 ns	0.0 ns	Async
Tolerance	500 ps	500 ps	500 ps	500 ps	1.0 ns	N/A

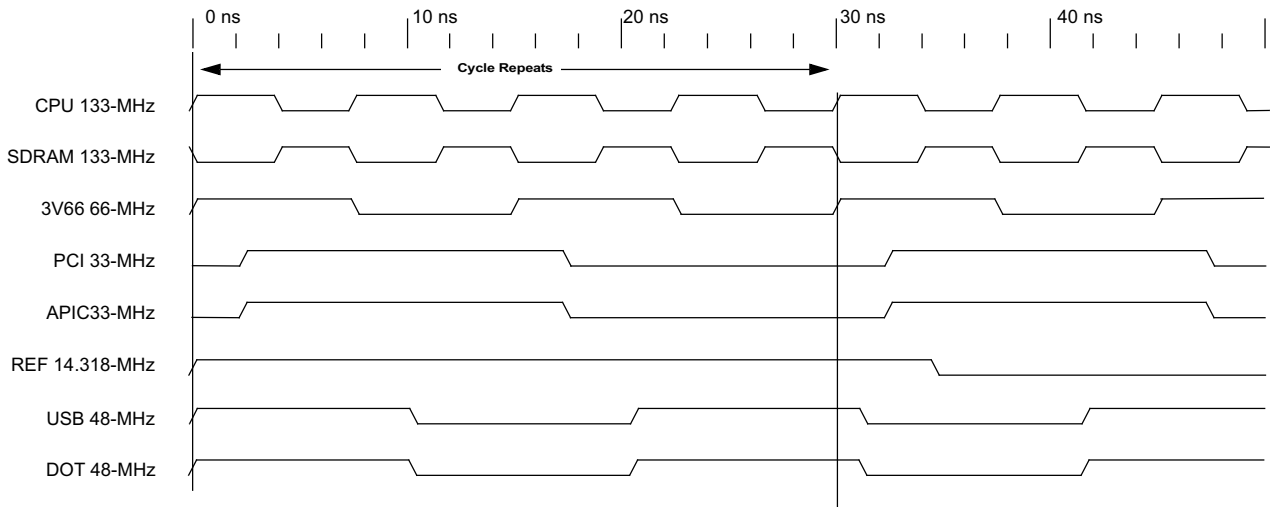


Figure 5. Group Offset Waveforms (133-MHz CPU/133-MHz SDRAM Clock)

Table 8. 133 MHz/SDRAM Test Mode Group Timing Relationships and Tolerance

	CPU to SDRAM	CPU to 3V66	SDRAM to 3V66	3V66 to PCI	PCI to APIC	USB& DOT
Offset	3.75 ns	0.0 ns	3.75 ns	1.5-3.5 ns	0.0 ns	Async
Tolerance	500 ps	500 ps	500 ps	500 ps	1.0 ns	N/A

Power-Down Control

W254B provides one PWR_DWN# signal to place the device in low-power mode. In low-power mode, the PLLs are turned off and all clock outputs are driven LOW.

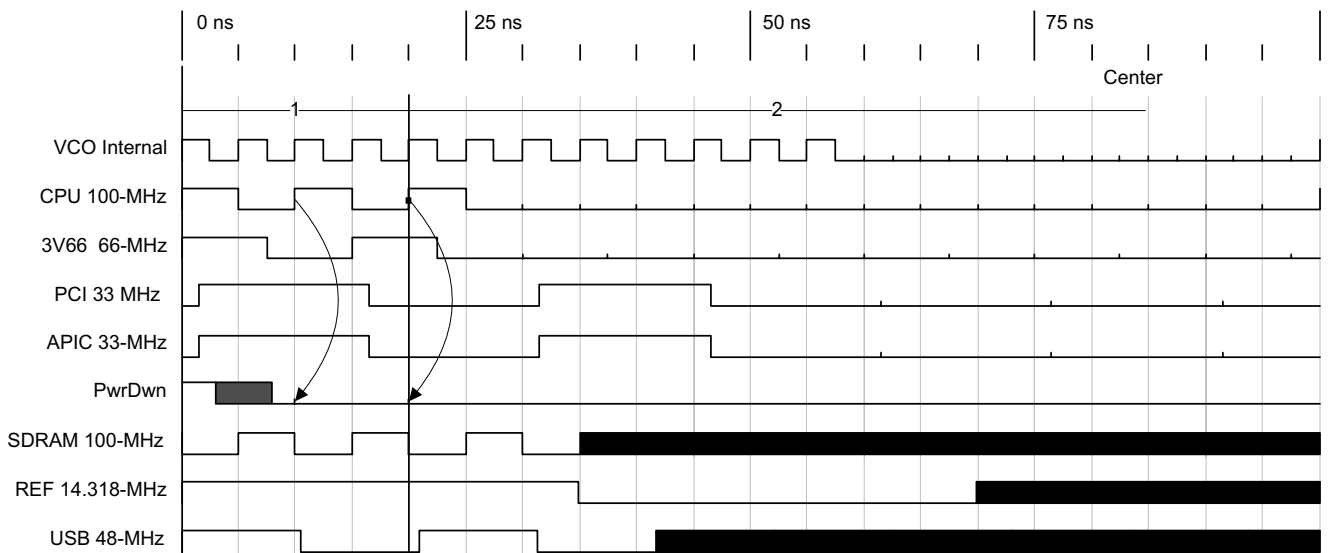


Figure 6. W254B PWR_DWN# Timing Diagram^[4, 5, 6, 7]

Table 9. W254B Maximum Allowed Current

W254B Condition	Max. 2.5V supply consumption Max. discrete cap loads, V_{DDQ2} = 2.625V All static inputs = V_{DDQ3} or V_{SS}	Max. 3.3V supply consumption Max. discrete cap loads V_{DDQ3} = 3.465V All static inputs = V_{DDQ3} or V_{SS}
Powerdown Mode (PWR_DWN# = 0)	≤ 1 mA	≤ 1 mA
Full Active 66 MHz FS1:0 = 00 (PWR_DWN# =1)	70 mA	280 mA
Full Active 100 MHz FS1:0 = 01 (PWR_DWN# =1)	100 mA	280 mA
Full Active 133 MHz FS1:0 = 11 (PWR_DWN# =1)	100 mA	280 mA

Notes:

4. Once the PWR_DWN# signal is sampled LOW for two consecutive rising edges of CPU, clocks of interest will be held LOW on the next HIGH-to-LOW transition.
5. PWR_DWN# is an asynchronous input and metastable conditions could exist. This signal is synchronized inside W254B.
6. The shaded sections on the SDRAM, REF, and USB clocks indicate "Don't Care" states.
7. Diagrams shown with respect to 100 MHz. Similar operation when CPU is 66 MHz.

Spread Spectrum Frequency Timing Generation

The device generates a clock that is frequency modulated in order to increase the bandwidth that it occupies. By increasing the bandwidth of the fundamental and its harmonics, the amplitudes of the radiated electromagnetic emissions are reduced. This effect is depicted in *Figure 7*.

As shown in *Figure 7*, a harmonic of a modulated clock has a much lower amplitude than that of an unmodulated signal. The reduction in amplitude is dependent on the harmonic number and the frequency deviation or spread. The equation for the reduction is:

$$dB = 6.5 + 9 \cdot \log_{10}(P) + 9 \cdot \log_{10}(F)$$

Where P is the percentage of deviation and F is the frequency in MHz where the reduction is measured.

The output clock is modulated with a waveform depicted in *Figure 8*. This waveform, as discussed in "Spread Spectrum Clock Generation for the Reduction of Radiated Emissions" by Bush, Fessler, and Hardin, produces the maximum reduction in the amplitude of radiated electromagnetic emissions. The deviation selected for this chip is $\pm 0.5\%$ or -0.5% of the selected frequency. *Figure 8* details the Cypress spreading pattern. Cypress does offer options with more spread and greater EMI reduction. Contact your local Sales representative for details on these devices.

Spread Spectrum clocking is activated or deactivated by selecting the appropriate value for bit 3 in data byte 0 of the SMBus data stream. Refer to page 10 for more details.

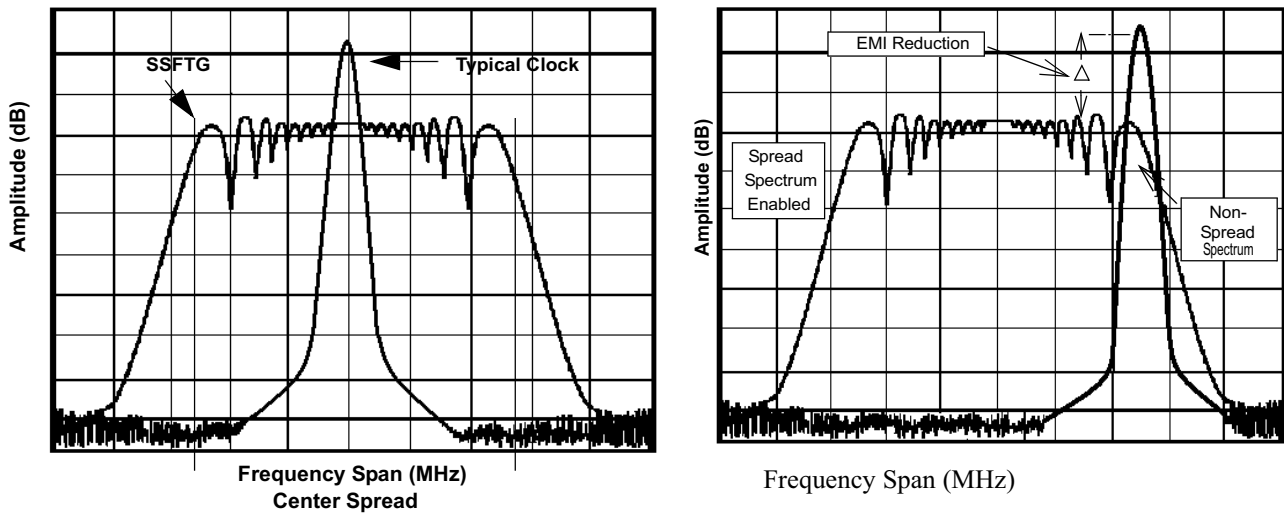


Figure 7. Clock Harmonic with and without SSCG Modulation Frequency Domain Representation

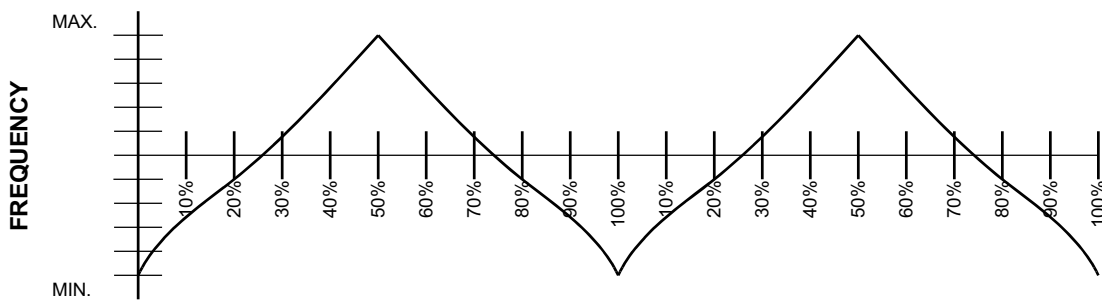


Figure 8. Typical Modulation Profile

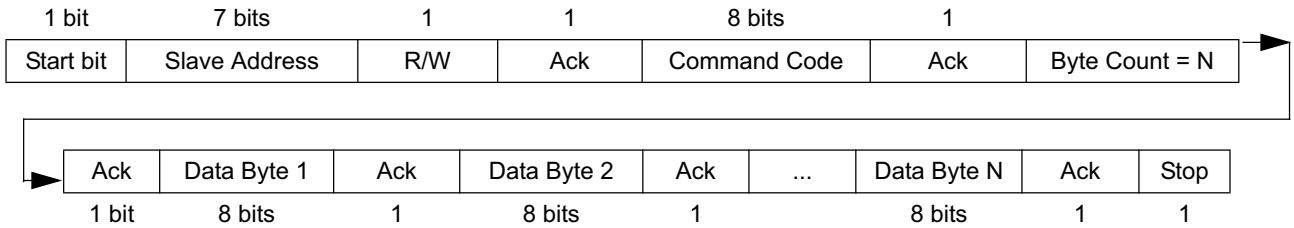


Figure 9. An Example of a Block Write^[8]

byte count may not be 0. A block write command is allowed to transfer a maximum of 32 data bytes. The slave receiver address for W254B is 11010010. *Figure 9* shows an example of a block write.

The command code and the byte count bytes are required as the first two bytes of any transfer. W254B expects a command code of 0000 0000. The byte count byte is the number of additional bytes required for the transfer, not counting the command code and byte count bytes. Additionally, the byte count byte is required to be a minimum of 1 byte and a maximum of 32 bytes to satisfy the above requirement. *Table 10* shows an example of a possible byte count value.

A transfer is considered valid after the acknowledge bit corresponding to the byte count is read by the controller. The command code and byte count bytes are ignored by the W254B. However, these bytes must be included in the data write sequence to maintain proper byte allocation.

Serial Data Interface

The W254B features a two-pin, serial data interface that can be used to configure internal register settings that control particular device functions.

Data Protocol

The clock driver serial protocol accepts only block writes from the controller. The bytes must be accessed in sequential order from lowest to highest byte with the ability to stop after any complete byte has been transferred. Indexed bytes are not allowed.

A block write begins with a slave address and a write condition. After the command code the core logic issues a byte count which describes how many more bytes will follow in the message. If the host had 20 bytes to send, the first byte would be the number 20 (14h), followed by the 20 bytes of data. The

Table 10. Example of Possible Byte Count Value

Byte Count Byte		Notes
MSB	LSB	
0000	0000	Not allowed. Must have at least one byte
0000	0001	Data for functional and frequency select register (currently byte 0 in spec)
0000	0010	Writes first two bytes of data (byte 0 then byte 1)
0000	0011	Writes first three bytes (byte 0, 1, 2 in order)
0000	0100	Writes first four bytes (byte 0, 1, 2, 3 in order)
0000	0101	Writes first five bytes (byte 0, 1, 2, 3, 4 in order)
0000	0110	Writes first six bytes (byte 0, 1, 2, 3, 4, 5 in order)
0000	0111	Writes first seven bytes (byte 0, 1, 2, 3, 4, 5, 6 in order)
0010	0000	Max. byte count supported = 32

W254B Serial Configuration Map

1. The serial bits will be read by the clock driver in the following order:

Byte 0 - Bits 7, 6, 5, 4, 3, 2, 1, 0

Byte 1 - Bits 7, 6, 5, 4, 3, 2, 1, 0

Byte N - Bits 7, 6, 5, 4, 3, 2, 1, 0

2. All unused register bits (reserved and N/A) should be written to a "0" level.

- All register bits labeled "Initialize to 0" must be written to zero during initialization. Failure to do so may result in higher than normal operating current.

Note:

8. The acknowledgment bit is returned by the slave/receiver (W254B).

Byte 0: Control Register (1 = Enable, 0 = Disable)^[9]

Bit	Pin#	Name	Pin Description
Bit 7	19	VCH_CLK	(Active/Inactive)
Bit 6	--	Reserved Drive to '0'	(Active/Inactive)
Bit 5	43	CPU_F	(Disabled/Enabled)
Bit 4	44	CPU	(Disabled/Enabled)
Bit 3	--	Spread Spectrum (1 = On; 0 = Off)	(Active/Inactive)
Bit 2	22	DOT (48 MHz)	(Disabled/Enabled)
Bit 1	21	USB (48 MHz)	(Disabled/Enabled)
Bit 0	--	Reserved Drive to '0'	(Active/Inactive)

Byte 1: Control Register (1 = Enable, 0 = Disable)^[9]

Bit	Pin#	Name	Pin Description
Bit 7	--	Reserved Drive to '0'	(Active/Inactive)
Bit 6	--	Reserved Drive to '0'	(Active/Inactive)
Bit 5	33	SDRAM5	(Disabled/Enabled)
Bit 4	34	SDRAM4	(Disabled/Enabled)
Bit 3	36	SDRAM3	(Disabled/Enabled)
Bit 2	37	SDRAM2	(Disabled/Enabled)
Bit 1	39	SDRAM1	(Disabled/Enabled)
Bit 0	40	SDRAM0	(Disabled/Enabled)

Byte 2: Control Register (1 = Enable, 0 = Disable)^[9]

Bit	Pin#	Name	Pin Description
Bit 7	17	3V66_AGP	(Disabled/Enabled)
Bit 6	16	3V66_1	(Disabled/Enabled)
Bit 5	15	3V66_0	(Disabled/Enabled)
Bit 4	--	Reserved Drive to '0'	(Active/Inactive)
Bit 3	--	Reserved Drive to '0'	(Active/Inactive)
Bit 2	--	Reserved Drive to '0'	(Active/Inactive)
Bit 1	--	Reserved Drive to '0'	(Active/Inactive)
Bit 0	--	Reserved Drive to '0'	(Active/Inactive)

Note:

9. Inactive means outputs are held LOW and are disabled from switching. These outputs are designed to be configured at power-on and are not expected to be configured during the normal modes of operation.

Byte 3: Control Register (1 = Enable, 0 = Disable)

Bit	Pin#	Name	Pin Description
Bit 7	-	Reserved Drive to '0'	(Active/Inactive)
Bit 6	13	PCI6	(Disabled/Enabled)
Bit 5	12	PCI5	(Disabled/Enabled)
Bit 4	11	PCI4	(Disabled/Enabled)
Bit 3	10	PCI3	(Disabled/Enabled)
Bit 2	8	PCI2	(Disabled/Enabled)
Bit 1	7	PCI1/FS1	(Disabled/Enabled)
Bit 0	--	SDRAM 133-MHz Mode Enable	Default is Disabled = '0', Enabled = '1'

Byte 4: Control Register (1 = Enable, 0 = Disable)

Bit	Pin#	Name	Pin Description
Bit 7	19	VCH_CLK SSC Mode 0 = 48 MHz non-SSC (default) 1 = 66 MHz SSC	(Disabled/Enabled)
Bit 6	-	Reserved Drive to '0'	(Active/Inactive)
Bit 5	-	Reserved Drive to '0'	(Active/Inactive)
Bit 4	-	Reserved Drive to '0'	(Active/Inactive)
Bit 3	-	Reserved Drive to '0'	(Active/Inactive)
Bit 2	-	Reserved Drive to '0'	(Active/Inactive)
Bit 1	-	Reserved Drive to '0'	(Active/Inactive)
Bit 0	-	Reserved Drive to '0'	(Active/Inactive)

Byte 5: Control Register (1 = Enable, 0 = Disable)

Bit	Pin#	Name	Pin Description
Bit 7	-	Reserved Drive to '0'	(Active/Inactive)
Bit 6	-	Spread Spectrum and Overclocking Mode Select. See <i>Table 11</i>	(Active/Inactive)
Bit 5	-		(Active/Inactive)
Bit 4	-	Reserved Drive to '0'	(Active/Inactive)
Bit 3	-	Reserved Drive to '0'	(Active/Inactive)
Bit 2	-	Reserved Drive to '0'	(Active/Inactive)
Bit 1	-	Reserved Drive to '0'	(Active/Inactive)
Bit 0	-	Reserved Drive to '0'	(Active/Inactive)

Byte 5 has been provided as an optional register to enable a greater degree of spread spectrum and overclocking performance for all PLL1 outputs. (CPU, SDRAM, DCLK, APIC, PCI, 3V66 and VCH_CLK)

By enabling Byte 5, (bits 5 and 6) spread spectrum can be increased to $\pm 0.5\%$ and /or overclocking of either 5%, 10% or 15% can be enabled.

It is not necessary to access Byte 5 if these additional features are not implemented. All outputs will default to 0% overclocking upon power up, with either 0% or -0.5% spread spectrum. (Spread spectrum ON/OFF remains under Byte 0, bit 3 control). Note that 10% and 15% overclocking can only be enabled with Spread Spectrum turned OFF.

Table 11. Spread Spectrum and Overclocking Mode Select

Byte 0	Byte 5		SS %	Overclock %	Description and Comments
	Bit 3	Bit 5			
Spread Spectrum ON	0	0	-0.5%	0%	No overclocking (Default)
	0	1	$\pm 0.5\%$	0%	No overclocking
	1	0	-0.5%	5% ^[10]	
	1	1	$\pm 0.5\%$	5% ^[10]	
Spread Spectrum OFF	0	0	-	0%	No overclocking
	0	1	-	10% ^[10]	
	1	0	-	5% ^[10]	
	1	1	-	15% ^[10]	

Note:

10. Overclocking not tested; characterized at room temperature only. Base Frequency determined through hardware select pins, FS0 & FS1.

DC Electrical Characteristics ^[11]
Absolute Maximum DC Power Supply

Parameter	Description	Min.	Max.	Unit
V _{DD3}	3.3V Core Supply Voltage	-0.5	4.6	V
V _{DDQ2}	2.5V I/O Supply Voltage	-0.5	3.6	V
V _{DDQ3}	3.3V Supply Voltage	-0.5	4.6	V
T _S	Storage Temperature	-65	150	°C

Absolute Maximum DC I/O

Parameter	Description	Min.	Max.	Unit
V _{ih3}	3.3V Input High Voltage	-0.5	4.6	V
V _{il3}	3.3V Input Low Voltage	-0.5		V
ESD prot.	Input ESD Protection	2000		V

DC Operating Requirements

Parameter	Description	Condition	Min.	Max.	Unit
V _{DD3}	3.3V Core Supply Voltage	3.3V±5%	3.135	3.465	V
V _{DDQ3}	3.3V I/O Supply Voltage	3.3V±5%	3.135	3.465	V
V _{DDQ2}	2.5V I/O Supply Voltage	2.5V±5%	2.375	2.625	V
V _{DD3} = 3.3V±5%					
V _{ih3}	3.3V Input High Voltage	V _{DD3}	2.0	V _{DD} + 0.3	V
V _{il3}	3.3V Input Low Voltage		V _{SS} - 0.3	0.8	V
I _{il}	Input Leakage Current ^[12]	0 < V _{in} < V _{DD3}	-5	+5	µA
V _{DDQ2} = 2.5V±5%					
V _{oh2}	2.5V Output High Voltage	I _{oh} = (-1 mA)	2.0		V
V _{ol2}	2.5V Output Low Voltage	I _{ol} = (1 mA)		0.4	V
V _{DDQ3} = 3.3V±5%					
V _{oh3}	3.3V Output High Voltage	I _{oh} = (-1 mA)	2.4		V
V _{ol3}	3.3V Output Low Voltage	I _{ol} = (1 mA)		0.4	V
V _{DDQ3} = 3.3V±5%					
V _{poh3}	PCI Bus Output High Voltage	I _{oh} = (-1 mA)	2.4		V
V _{pol3}	PCI Bus Output Low Voltage	I _{ol} = (1 mA)		0.55	V
C _{in}	Input Pin Capacitance			5	pF
C _{xtal}	Xtal Pin Capacitance		13.5	22.5	pF
C _{out}	Output Pin Capacitance			6	pF
L _{pin}	Pin Inductance		0	7	nH
T _a	Ambient Temperature	No Airflow	0	70	°C

Note:

11. **Multiple Supplies:** The voltage on any input or I/O pin cannot exceed the power pin during power-up. Power supply sequencing is NOT required.

12. Input Leakage Current does not include inputs with pull-up or pull-down resistors.

AC Electrical Characteristics ^[11]
T_A = 0°C to +70°C, V_{DDQ3} = 3.3V±5%, V_{DDQ2} = 2.5V±5% f_{XTL} = 14.31818 MHz Spread Spectrum Function Turned Off

 AC clock parameters are tested and guaranteed over stated operating conditions using the stated lump capacitive load at the clock output.^[13]
AC Electrical Characteristics

Parameter	Description	66.6-MHz Host		100-MHz Host		133-MHz Host		Unit	Notes
		Min.	Max.	Min.	Max.	Min.	Max.		
T _{Period}	Host/CPUCLK Period	15.0	15.5	10.0	10.5	7.5	8.0	ns	13
T _{HIGH}	Host/CPUCLK High Time	5.2	N/A	3.0	N/A	1.87	N/A	ns	14
T _{LOW}	Host/CPUCLK Low Time	5.0	N/A	2.8	N/A	1.67	N/A	ns	15
T _{RISE}	Host/CPUCLK Rise Time	0.4	1.6	0.4	1.6	0.4	1.6	ns	
T _{FALL}	Host/CPUCLK Fall Time	0.4	1.6	0.4	1.6	0.4	1.6	ns	
T _{Period}	SDRAM CLK Period (100-MHz)	10.0	10.5	10.0	10.5	10.0	10.5	ns	13
T _{HIGH}	SDRAM CLK High Time (100-MHz)	3.0	N/A	3.0	N/A	3.0	N/A	ns	14
T _{LOW}	SDRAM CLK Low Time (100-MHz)	2.8	N/A	2.8	N/A	2.8	N/A	ns	15
T _{RISE}	SDRAM CLK Rise Time (100-MHz)	0.4	1.6	0.4	1.6	0.4	1.6	ns	
T _{FALL}	SDRAM CLK Fall Time (100-MHz)	0.4	1.6	0.4	1.6	0.4	1.6	ns	
T _{Period}	APIC 33-MHz CLK Period	30.0	N/A	30.0	N/A	30.0	N/A	ns	13, 16
T _{HIGH}	APIC 33-MHz CLK High Time	12.0	N/A	12.0	N/A	12.0	N/A	ns	14
T _{LOW}	APIC 33-MHz CLK Low Time	12.0	N/A	12.0	N/A	12.0	N/A	ns	15
T _{RISE}	APIC CLK Rise Time	0.4	1.6	0.4	1.6	0.4	1.6	ns	
T _{FALL}	APIC CLK Fall Time	0.4	1.6	0.4	1.6	0.4	1.6	ns	
T _{Period}	3V66 CLK Period	15.0	16.0	15.0	16.0	15.0	16.0	ns	13, 17
T _{HIGH}	3V66 CLK High Time	5.25	N/A	5.25	N/A	5.25	N/A	ns	14
T _{LOW}	3V66 CLK Low Time	5.05	N/A	5.05	N/A	5.05	N/A	ns	15
T _{RISE}	3V66 CLK Rise Time	0.5	2.0	0.5	2.0	0.5	2.0	ns	
T _{FALL}	3V66 CLK Fall Time	0.5	2.0	0.5	2.0	0.5	2.0	ns	
T _{Period}	PCI CLK Period	30.0	N/A	30.0	N/A	30.0	N/A		13, 17
T _{HIGH}	PCI CLK High Time	12.0	N/A	12.0	N/A	12.0	N/A		14
T _{LOW}	PCI CLK Low Time	12.0	N/A	12.0	N/A	12.0	N/A		15
T _{RISE}	PCI CLK Rise Time	0.5	2.0	0.5	2.0	0.5	2.0		
T _{FALL}	PCI CLK Fall Time	0.5	2.0	0.5	2.0	0.5	2.0		
tp _{ZL} , tp _{ZH}	Output Enable Delay (All outputs)	30.0	N/A	30.0	N/A	30.0	N/A	ns	
tp _{LZ} , tp _{ZH}	Output Disable Delay (All outputs)	12.0	N/A	12.0	N/A	12.0	N/A	ns	
t _{stable}	All Clock Stabilization from Power-Up	12.0	N/A	12.0	N/A	12.0	N/A	ms	

Notes:

13. Period, jitter, offset, and skew measured on rising edge at 1.25 for 2.5V clocks and at 1.5V for 3.3V clocks.

 14. The time specified is measured from when V_{DDQ3} achieves its nominal operating level (typical condition V_{DDQ3} = 3.3V) until the frequency output is stable and operating within specification.

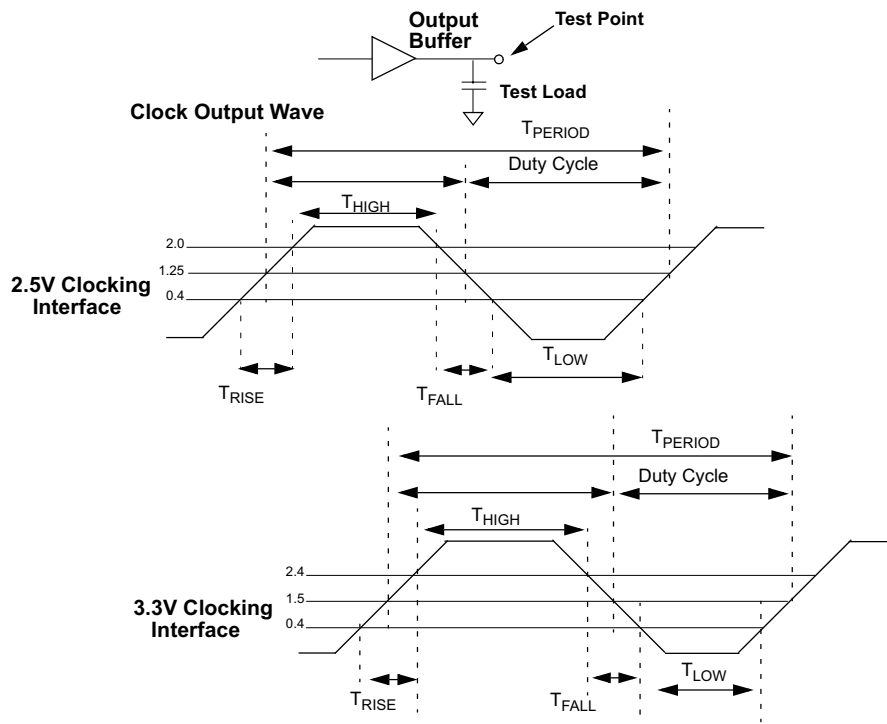
 15. T_{RISE} and T_{FALL} are measured as a transition through the threshold region V_{ol} = 0.4V and V_{oh} = 2.0V (1 mA) JEDEC specification.

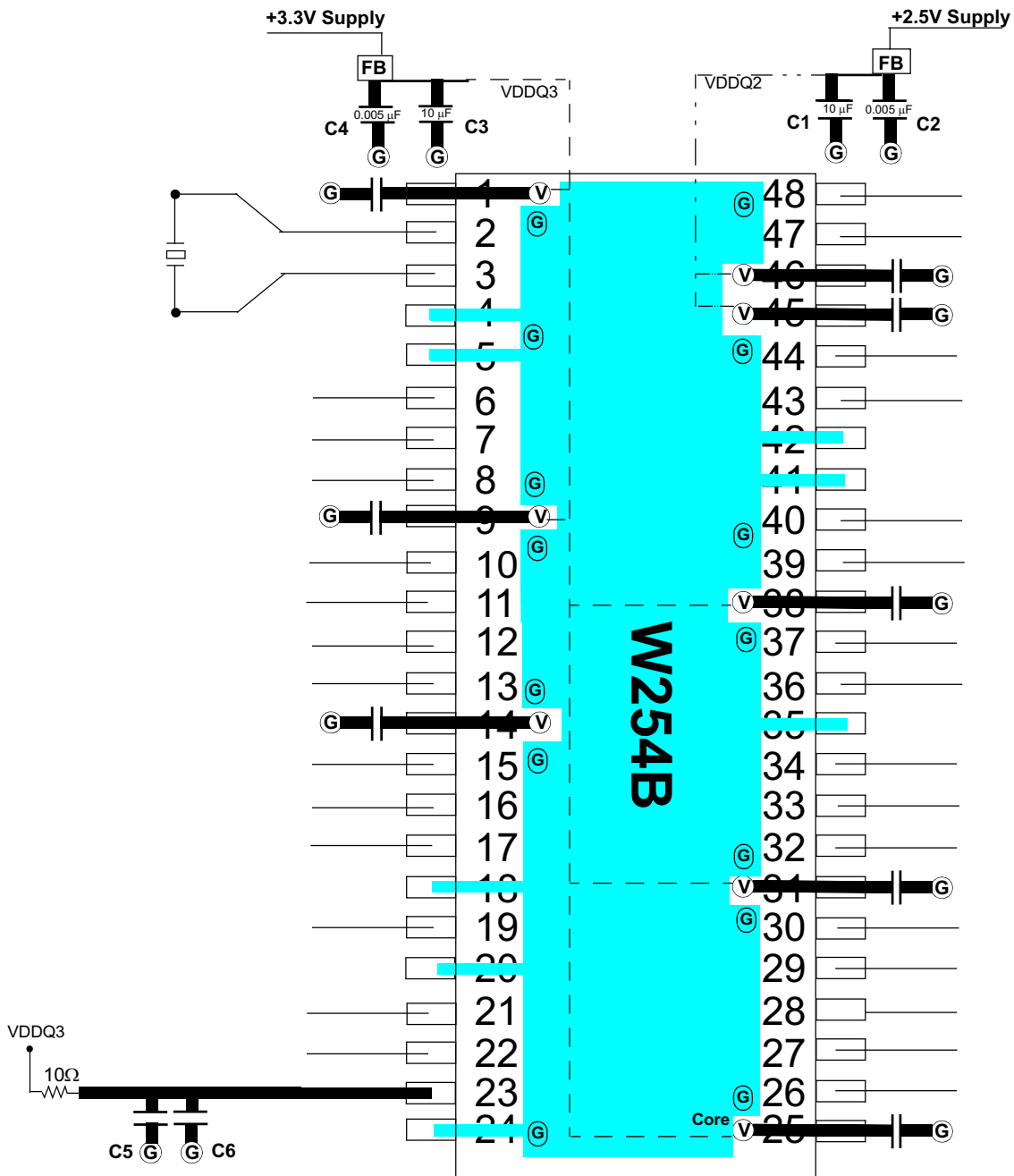
 16. T_{LOW} is measured at 0.4V for all outputs.

 17. T_{HIGH} is measured at 2.0V for 2.5V outputs, 2.4V for 3.3V outputs.

Group Skew and Jitter Limits

Output Group	Pin-Pin Skew Max.	Cycle-Cycle Jitter	Duty Cycle	Nom Vdd	Skew, Jitter Measure Point
CPU	150 ps	250 ps	45/55	2.5V	1.25V
SDRAM	250 ps	250 ps	45/55	3.3V	1.5V
APIC	250 ps	500 ps	45/55	2.5V	1.25V
48MHz	N/A	500 ps	45/55	3.3V	1.5V
3V66	175 ps	500 ps	45/55	3.3V	1.5V
PCI	500 ps	500 ps	45/55	3.3V	1.5V
REF	N/A	1000 ps	45/55	3.3V	1.5V
VCH_CLK	N/A	250 ps	45/55	3.3V	1.5V


Figure 10. Output Buffer

Layout Diagram


FB = Dale ILB1206 - 300 (300Ω @ 100 MHz)

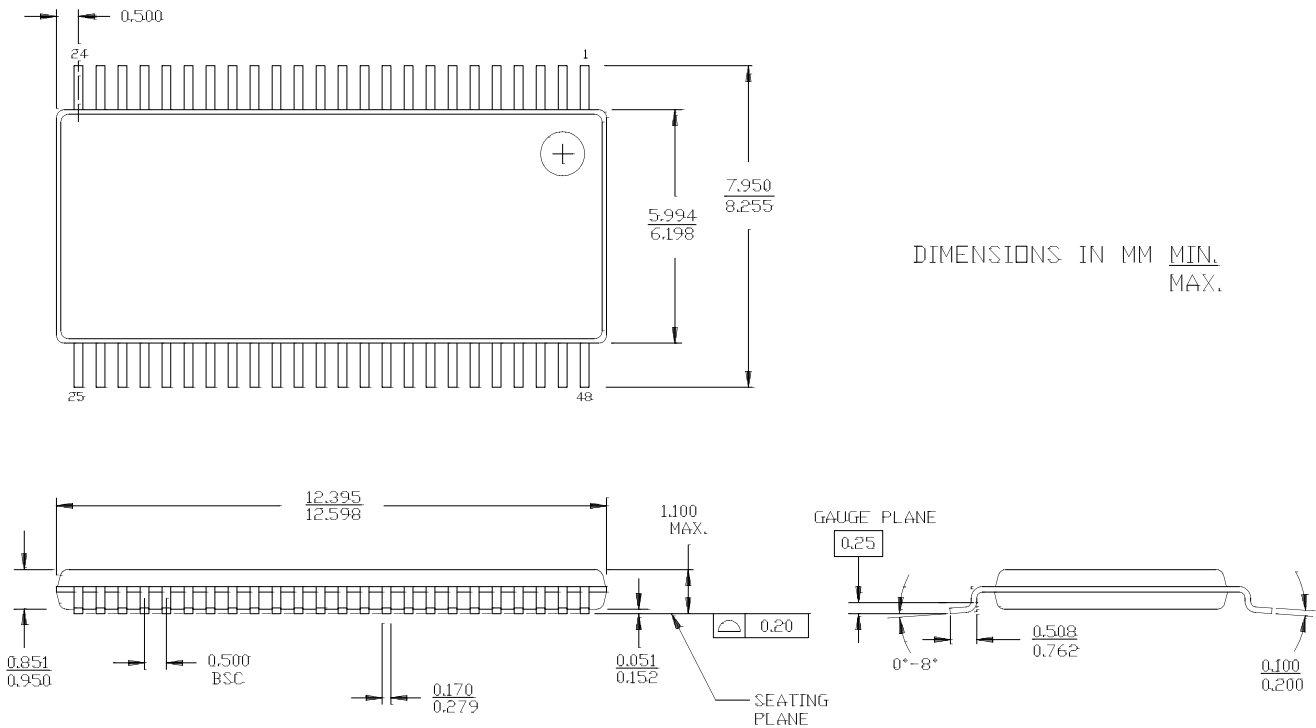
Ceramic Caps C1, C3 & C5 = 10–22 μF C2 & C4 = 0.005 μF C6 = 0.1 μF

Ⓞ = VIA to GND plane layer Ⓟ = VIA to respective supply plane layer

Note: Each supply plane or strip should have a ferrite bead and capacitors

Ordering Information

Ordering Code	Package Name	Package Type
W254B	X	48-pin TSSOP (6.1 mm)

48-Lead Thin Shrunk Small Outline Package, Type II (6 mm x 12 mm) Z48


While SLI has reviewed all information herein for accuracy and reliability, Spectra Linear Inc. assumes no responsibility for the use of any circuitry or for the infringement of any patents or other rights of third parties which would result from each use. This product is intended for use in normal commercial applications and is not warranted nor is it intended for use in life support, critical medical instruments, or any other application requiring extended temperature range, high reliability, or any other extraordinary environmental requirements unless pursuant to additional processing by Spectra Linear Inc., and expressed written agreement by Spectra Linear Inc. Spectra Linear Inc. reserves the right to change any circuitry or specification without notice.