

*New Jersey Semi-Conductor Products, Inc.*

20 STERN AVE.  
 SPRINGFIELD, NEW JERSEY 07081  
 U.S.A.

TELEPHONE: (201) 376-2922  
 (212) 227-6000  
 FAX: (201) 376-8966

PARAMETERS

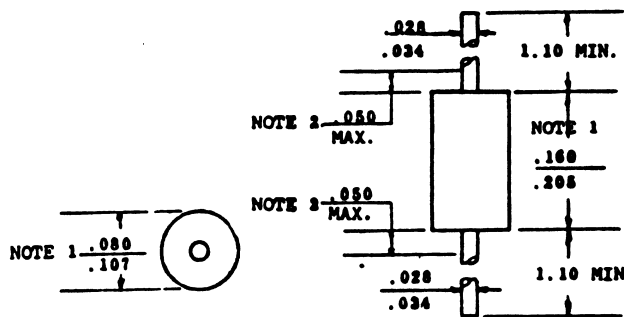
1N4822

SI RECTIFIER;  $1A < I(O)/I(F) \leq 2A$

Description: Si Rectifier,  $1A < I(O)/I(F) \leq 2A$

Manufacturer.....	
Mil/High-Rel? (Y/N).....	
I(out) (If AVG) Max.....	1.5
@Temp. (test) (x°C).....	40
VRRM.....	600
1-Cycle Surge Current (A).....	50
Vf Max.....	1.3
@If (test).....	1.5
@Temp. (test) for Vf).....	40
Ir @25x°C.....	
@Volts (test) (V).....	600
Ir @ Diff. Temp (A).....	.25m
@Temp (test) (x°C).....	40
Oper. Temp (x°C) Max.....	170
Pkg Style.....	D0-41
Surface Mounted (Y/N).....	N

$2 I_t(\text{rms})$



- NOTES:
- Package contour optional within cylinder of diameter .080 and length .107. Slugs if any, shall be included within this cylinder but shall not be subject to the minimum limit of .107.
  - Lead diameter not controlled in this zone to allow for flash, lead finish build up, and minor irregularities other than slugs.



Quality Semi-Conductors