

New Jersey Semi-Conductor Products, Inc.

20 STERN AVE.
 SPRINGFIELD, NEW JERSEY 07081
 U.S.A.

TELEPHONE: (973) 376-2922
 (212) 227-6005
 FAX: (973) 376-8860

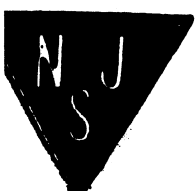
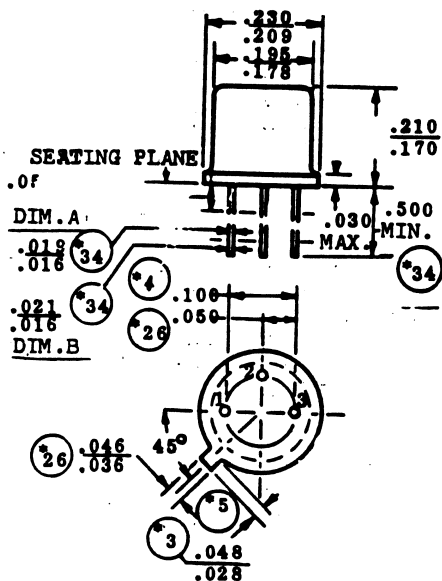
PARAMETERS

2N3117
 SI NPN LO-PWR BJT

Description: Si NPN Lo-Pwr BJT

Manufacturer.....	many
Mil/High-Rel? (Y/N).....	
Vbr CEO.....	60
hfe.....	2.0
@Ic (A).....	500u
@VCE (test) (V).....	5.0
Ic Max. (A).....	50m
Trans. Freq (Hz) Min.....	60M
C(ob) (F).....	4.5p
Icbo Max. @Vcb Max. (A).....	10n
Vbr CBO.....	60
Max. PD (W).....	360m
Derate (Amb) (W/°C).....	2.1m
Oper. Temp (°C) Max.....	200J
Pkg Style.....	TO-18
Surface Mounted (Y/N).....	N
Pinout Equivalence Number.....	3-12

J Junction Temperature It(rms)



NJ Semi-Conductors reserves the right to change test conditions, parameter limits and package dimensions without notice. Information furnished by NJ Semi-Conductors is believed to be both accurate and reliable at the time of going to press. However NJ Semi-Conductors assumes no responsibility for any errors or omissions discovered in its use. NJ Semi-Conductors encourages customers to verify that datasheets are current before placing orders.