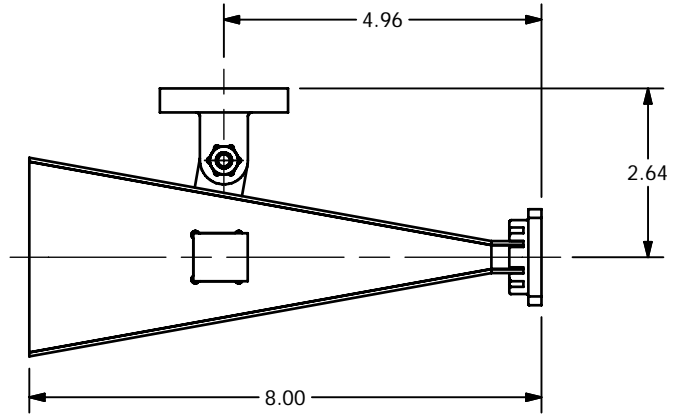
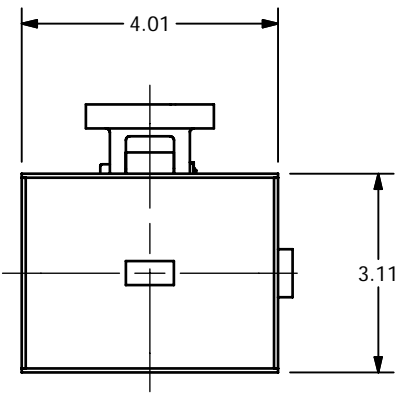
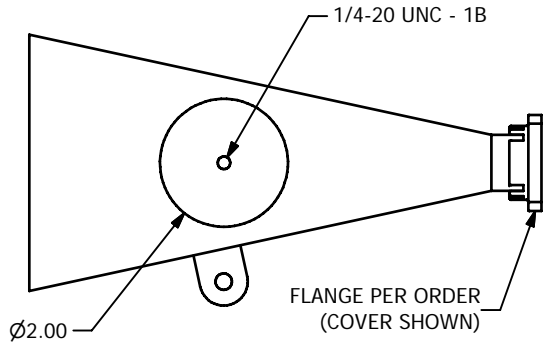
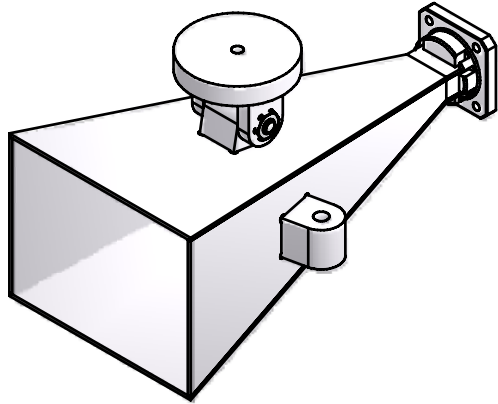


REVISION HISTORY			
REV	AUTH	DATE	DESCRIPTION
A	-	1/17/2008	INITIAL RELEASE



MODEL SPECIFICATIONS

MECHANICAL

MODEL NUMBER: 75-442-X/BR
 MATERIAL: 6061/T6 ALUM.
 FINISH: UNIQUE CORROSION RESISTANT 316 STAINLESS STEEL EPOXY COATING.
 FLANGES: COVER FLANGE (-6) IS STANDARD, OTHER TYPES ARE AVAILABLE, BUT LENGTH MAY CHANGE.

ELECTRICAL

FREQ. RANGE: 10.0 - 15.0 GHz
 GAIN: 20dB

THIRD ANGLE PROJECTION:		APPROVALS DRAWN M.R. CHKD. APRVD.	DATE	ADVANCED TECHNICAL MATERIALS, INC. TEL: (631) 289-0363 FAX: (631) 289-0358 www.atmmicrowave.com	THE INFORMATION IN THIS DRAWING IS PROPRIETARY AND SHALL NOT BE USED OR DISCLOSED WITHOUT THE PRIOR WRITTEN CONSENT OF ATM, INC. DO NOT SCALE DWG.	
UNLESS OTHERWISE NOTED, DIMENSIONS ARE IN INCHES, TOLERANCES ARE: FRACTIONS: ±1/64 ANGLES: ±1/2°		WR75 20dB HORN W/ MOUNT			SIZE A CAGE CODE 0R8N4 MODEL # 75-442-X/BR	ATM DWG # 7913 REVISION A SHEET 1
BASIC DIMENSION	DECIMALS 2 PLACE	DECIMALS 3 PLACE	MATERIAL ALUM			
UNDER 6"	±.02	±.005	TREATMENT IRIDITE			
6" - 12"	±.03	±.010	FINISH ATM GRAY			
OVER 12"	±.06	±.015				