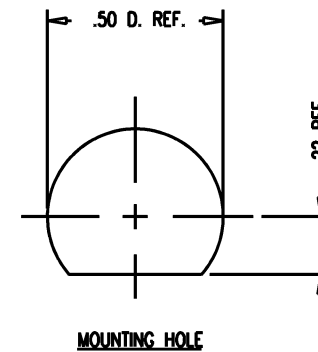
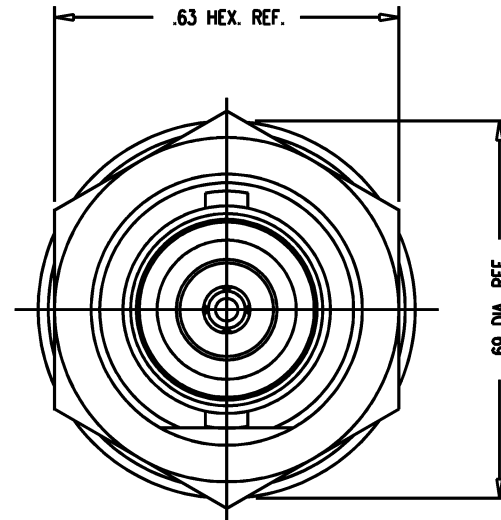
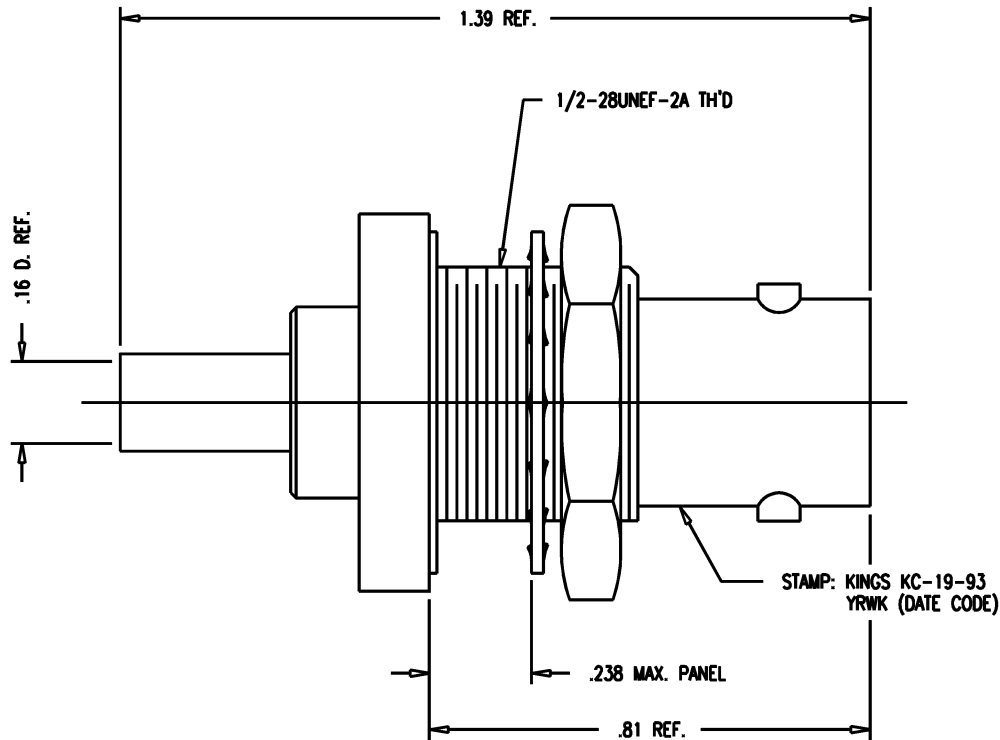


SD



SD

KC-19-93

REVISIONS

ISSUE	CHANGES
5	CN 36839 C REDRAWN KH 03/07/96
6	CN 37745 E HVN 01/14/99
7	CN 38091 E TML 09/11/00

WAS:
KAM6453

KC1993S

SCALE 4:1

APPROX SURFACE AREA

USED ON

REF:

JACK, BULKHEAD, BNC

DRAWN KH DATE 03/07/96

DESIGN AR DATE 03/08/96

APPR. DATE

KINGS
ELECTRONICS CO., INC.
ROCK HILL, SOUTH CAROLINA 29730

KC-19-93

NOTES:

1. FOR USE WITH RG-174, 179A, 179B, 187, 187A, 188, & 188A/U CABLES.
2. FOR CABLING INSTRUCTIONS SEE CP-407.
3. FOR CRIMPING USE DIE KTH-2032.
4. INTERFACE PER MIL-STD-348, FIG. 301-2.
5. MATERIALS:

LOCKWASHER: PHOSPHOR BRONZE, ASTM-B-103
GASKET: SILICONE RUBBER, ZZ-R-765
CENTER CONTACT: BER. COPPER, ASTM-B-196
INSULATORS: TEFLON, ASTM-D-4894
K-GRIP SLEEVE: COM. BRONZE, ASTM-B-135
ALL OTHER METAL PARTS: BRASS, ASTM-B16

6. FINISHES:

CENTER CONTACTS: SILVER PLATE PER QQ-S-365
ALL OTHER METAL PARTS: KINGS TARNISH RESISTANT NICKEL FINISH (TR-5)

7. ELECTRICAL CHARACTERISTICS:

FREQUENCY RANGE: DC TO 4 GHz.
WORKING VOLTAGE: 500 VRMS
NOMINAL IMPEDANCE: 50 OHMS