

PLEASE CHECK WWW.MOLEX.COM FOR LATEST PART INFORMATION

Part Number: [0197054303](#)
Status: **Active**
Description: PCB Tab Quick Disconnect, Male, for Wire, Metal Strip, Tab 6.35mm (.250") x 0.81mm (.032")

Documents:

[Drawing \(PDF\)](#) [RoHS Certificate of Compliance \(PDF\)](#)
[Product Specification PS-19902-010 \(PDF\)](#)

Agency Certification

UL E79133

General

Product Family Quick Disconnects
 Series [19705](#)
 Crimp Quality Equipment Yes
 Product Name PCB Tab
 Type Quick Disconnect

Physical

Barrel Type Closed
 Gender Male
 Glow-Wire Compliant No
 Insulation None
 Lock to Mating Part None
 Material - Metal Brass
 Orientation PCB Straight Tab
 Packaging Type Reel
 Polarized to Mating Part No
 Tab Thickness 0.81mm (.032")
 Tab Width 6.35mm (.250")
 Termination Interface: Style Through Hole
 Wire Insulation Diameter N/A
 Wire Size AWG N/A

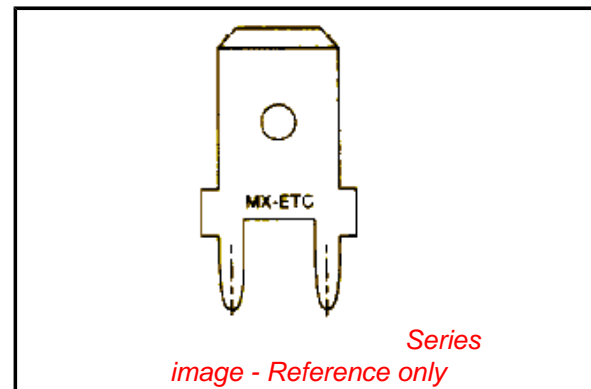
Electrical

Voltage - Maximum N/A

Material Info

Reference - Drawing Numbers

Product Specification PS-19902-010
 Sales Drawing SD-19705-430



EU RoHS

**ELV and RoHS
Compliant**
**REACH SVHC
Contains SVHC: No**
**Halogen-Free
Status**

China RoHS



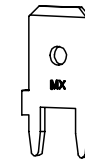
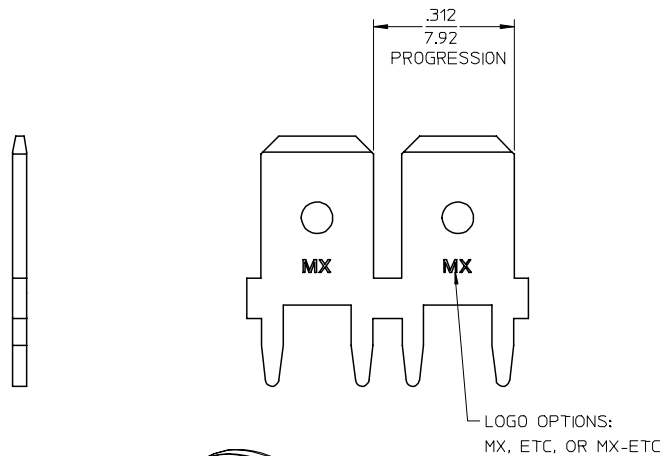
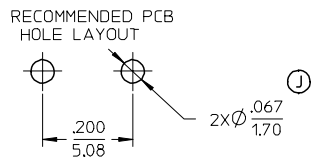
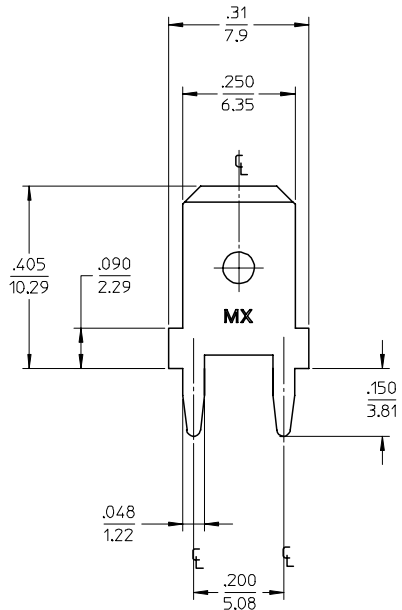
**Need more information on product
environmental compliance?**

Email productcompliance@molex.com
 For a multiple part number RoHS Certificate of Compliance, [click here](#)

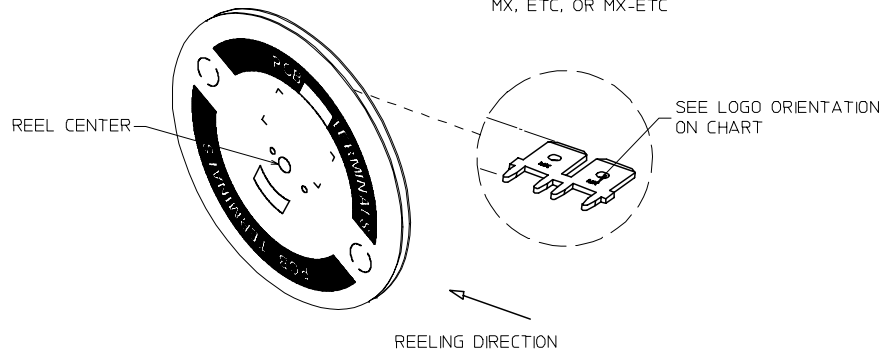
Please visit the [Contact Us](#) section for any non-product compliance questions.

Search Parts in this Series
[19705Series](#)

MATERIAL NUMBER	ENGINEERING NUMBER	CARRIER	LOGO ORIENTATION
197054303	19705-4303	STRIP	IN
197054305	19705-4305	STRIP	OUT
197054301	19705-4301	LOOSE	-



SCALE 3:1



NOTES:

1. BARE EDGES PERMISSIBLE AT CARRIER CUT OFF.
2. MATERIAL: BRASS C26000 (.032/0.81) THICK.
3. TAB CONFORMS TO NEMA SPECIFICATIONS.
4. ALL DIMENSIONS AND NOTES REFERENCE UNLESS OTHERWISE NOTED.
5. PLATING: MATTE TIN 150μIN/3.81μm MINIMUM THICKNESS OVER NICKEL 50μIN/1.25μm MINIMUM THICKNESS.
6. REF: 9,000 MINIMUM PARTS PER REEL. REEL HAS 14" DIAMETER REEL WITH A 1.25" DIAMETER CENTER HOLE.
7. PART IS ROHS COMPLIANT.

REVISED PCB HOLE DIA FC NO: ETC2007-0403 DRAWN BY: DRW:NEHLE CHKD: JMACNEIL APPR: JMACNEIL	QUALITY SYMBOLS =0 =0	GENERAL TOLERANCES (UNLESS SPECIFIED)		DIMENSION STYLE IN/MM		SCALE 5:1	DESIGN UNITS INCH	THIRD ANGLE PROJECTION
		mm	INCH	DRAWN BY EDB	DATE 11/08/96	TITLE QUICK DISCONNECT PCB MOUNTABLE .250 X .032 TAB		
J	DESCRIPTION 2007/05/14 2007/05/14 2007/05/15	4 PLACES ± --- ± ---	3 PLACES ± --- ± .005	CHECKED BY JH	DATE 11/08/96	MOLEX INCORPORATED		
		2 PLACES ± 0.13 ± .01	1 PLACE ± 0.25 ± ---	APPROVED BY RWD	DATE 11/08/96			
		ANGULAR ±1/2°		MATERIAL NO. SEE CHART		DOCUMENT NO. SD-19705-430	SHEET NO. 1 OF 1	
		DRAFT WHERE APPLICABLE MUST REMAIN WITHIN DIMENSIONS		SIZE C		THIS DRAWING CONTAINS INFORMATION THAT IS PROPRIETARY TO MOLEX INCORPORATED AND SHOULD NOT BE USED WITHOUT WRITTEN PERMISSION		