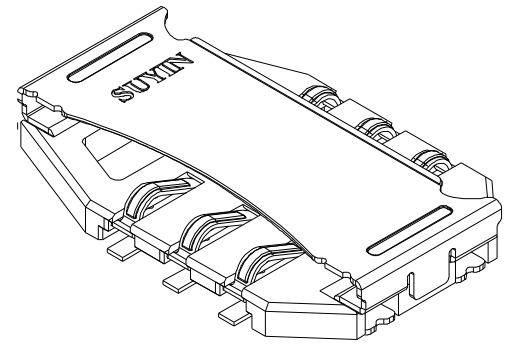
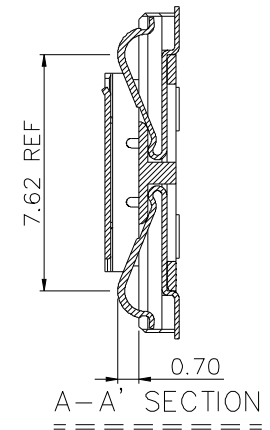
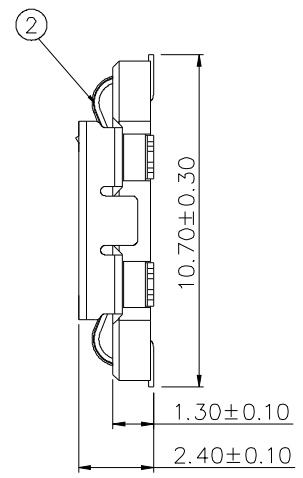
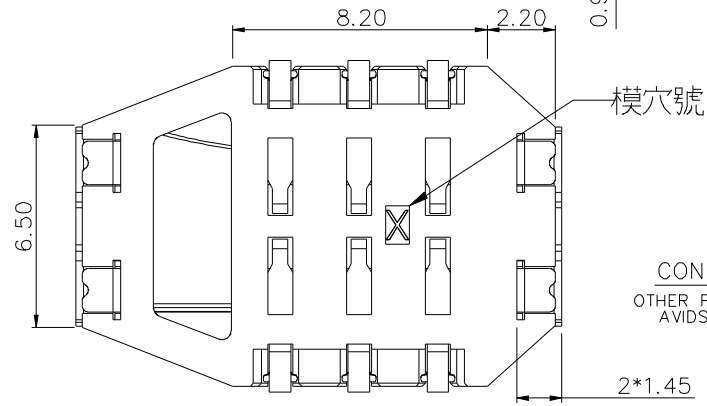
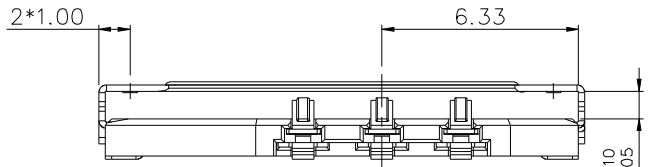
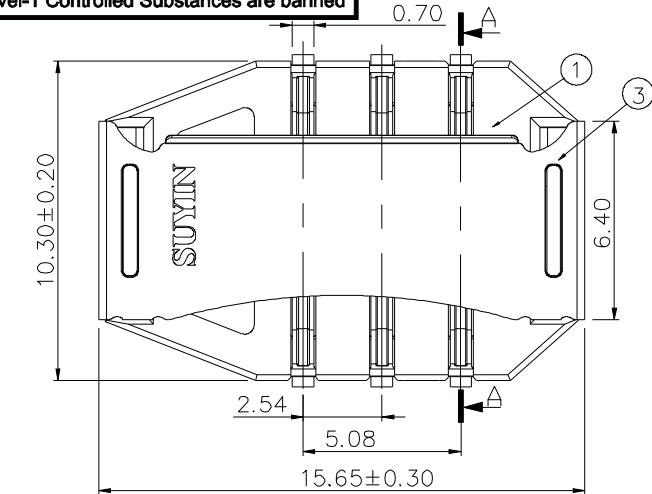


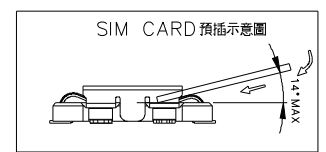
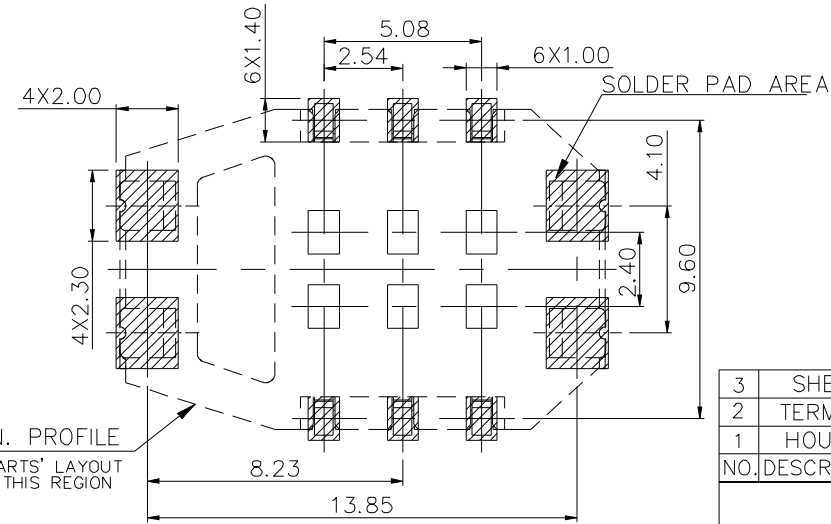


RoHS Compliant
2002/95/EC
HSF

Level-1 Controlled Substances are banned



RECOMMENDED P.C.B. LAYOUT (COMPONENT SIDE)
(TOLERANCE=±0.05)



NO.	DESCRIPTION	MATERIAL	COLOR	REMARK
3	SHELL	METALS	—	NICKEL PLATED
2	TERMINAL	PHO.BRONZE	—	GOLD PLATED
1	HOUSING	HIGH TEMP PLASTICS	BLACK	UL-94V-0

SUYIN
CONNECTOR

CUSTOMER COPY	TITLE: SIM CARD CONNECTOR			
PART NO.	254042MA006G111ZL			
PRODUCT SPEC.	254042MA SERIES			
FILE NAME.	254042MA006G111ZL-C			
SCALE	4:1	UNIT:mm	A4	SHEET: 1 of 2

ECN(DCN) NO.	REV	DATE	DESCRIPTION	CHANGE	APPRO.	GENERAL TOLERANCE UNLESS OTHERWISE NOTED	APPRO.	DATE
	0		NEW RELEASE	金 釗	蔡志鴻	Angle ±2° 30 ~ ±0.50	DRAW	08'/06/20
	PO	07'/01/18	NEW	張桂華	簡士鈞	10 ~ 30 ±0.30	DESIGN	08'/06/20
						~ 10 ±0.15	CHECK	08'/06/20
							APPRO.	08'/06/20