

Customer Information Sheet

DRAWING No.: M50-315XXXX

SHEET 2 OF 2

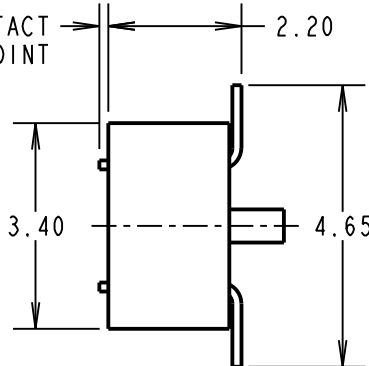
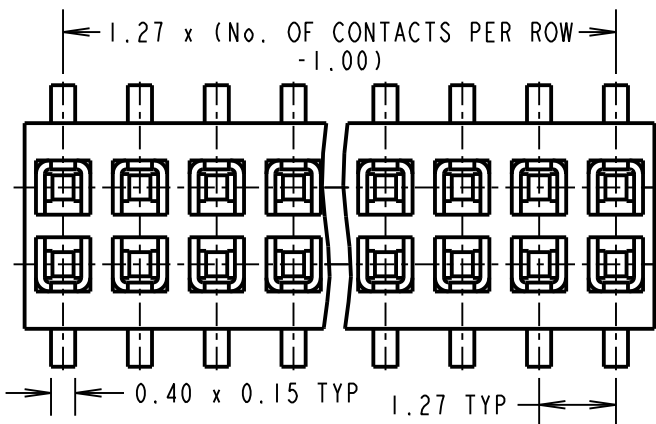
IF IN DOUBT - ASK

©

NOT TO SCALE

THIRD ANGLE PROJECTION

ALL DIMENSIONS IN mm



SPECIFICATION:

MATERIAL:

MOULDING = 30% GLASS FILLED NYLON-6T UL94V-0
CONTACTS = PHOSPHOR BRONZE

FINISH:

42 = GOLD ON CONTACT AREA, 100% TIN OVER
NICKEL ON TAILS

ELECTRICAL:

CURRENT RATING = 1A
CONTACT RESISTANCE = 20mΩ MAX
INSULATION RESISTANCE = 1000MΩ MIN @ 250V
DIELECTRIC WITHSTANDING = 500V AC (1 MINUTE)

MECHANICAL:

CONTACT RETENTION = 2.5N MIN
INSERTION FORCE = 2.0N MAX
WITHDRAWAL FORCE = 0.3N MIN
SOLDERABILITY = 260°C FOR 3 SECONDS
DURABILITY = 25 CYCLES

ENVIRONMENTAL:

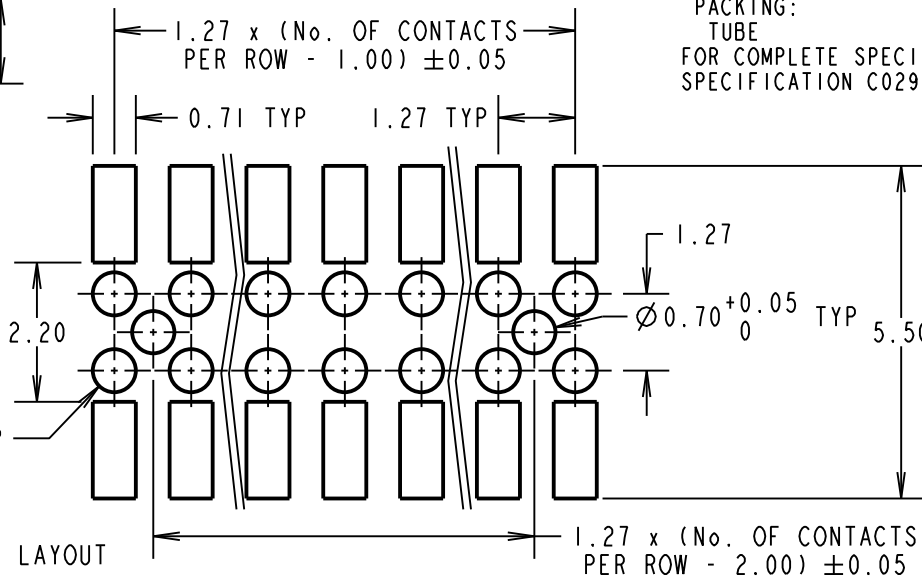
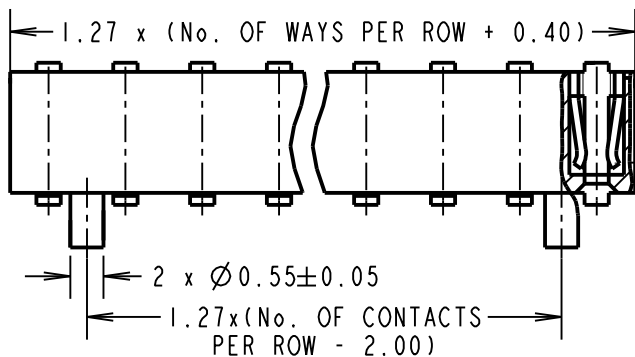
TEMPERATURE RANGE = -40°C TO +105°C

PACKING:

TUBE
FOR COMPLETE SPECIFICATION, SEE COMPONENT
SPECIFICATION C029XX (LATEST ISSUE)

NOTES:

1. ALL TOLERANCES ARE ±0.25 UNLESS OTHERWISE STATED.



RECOMMENDED PCB LAYOUT

ORDER CODE
M50-315XXXX

No. OF WAYS PER ROW: _____
03 TO 50
FINISH: _____
42 = SELECTIVE GOLD + 100% TIN

SM	11	11.02.11	11123
NAME	ISS.	DATE	C/NOTE
APPROVED: S. MCCULLAGH			
CHECKED: M. G. PLESTED			
DRAWN: W. J. BOURNE			
CUSTOMER REF.:			
ASSEMBLY DRG:			

HARWIN

HARWIN USA
TEL: 603 893 5376
FAX: 603 893 5396
mis@harwin.com

HARWIN Europe (UK)
TEL: 023 9231 4545
FAX: 023 9231 4590
mis@harwin.co.uk

HARWIN Asia
TEL: +65 6 779 4909
FAX: +65 6 779 3868
mis@harwin.com.sg

THIS DRAWING AND ANY INFORMATION OR DESCRIPTIVE MATTER SET OUT HEREON ARE CONFIDENTIAL AND COPYRIGHT PROPERTY OF THE HARWIN GROUP AND MUST NOT BE DISCLOSED, LOANED, COPIED OR USED FOR MANUFACTURING, TENDERING OR FOR ANY OTHER PURPOSE WITHOUT THEIR WRITTEN PERMISSION.

TOLERANCES
X = ±1mm
X.X = ±0.25mm
X.XX = ±0.10mm
X.XXX = ±0.01mm
ANGLES = ±5°
UNLESS STATED

MATERIAL:
SEE ABOVE

FINISH: SEE ABOVE

S/AREA: mm²

TITLE:
1.27mm PITCH DIL SMT VERT.
LOW-PROFILE SOCKET ASSY

DRAWING NUMBER:
M50-315XXXX

SHT 2 OF 2