

UltraCMOS® Digitally Tunable Capacitor (DTC) 100 - 3000 MHz

Features

- 2-wire (I²C compatible) Serial Interface with built-in bias voltage generation and ESD protection
- DuNE™-enhanced UltraCMOS® device
- 5-bit 32-state Digitally Tunable Capacitor
- Series configuration C = 0.60 - 4.60 pF (7.7:1 tuning ratio) in discrete 129 fF steps
- Shunt configuration C = 1.10 - 5.10 pF (4.6:1 tuning ratio) in discrete 129 fF steps
- High RF Power Handling (up to 38 dBm, 30 V_{pk} RF) and High Linearity
- Wide power supply range (2.3 to 3.6V) and low current consumption (typ. 140 µA at 2.6V)
- Excellent 1.5 kV HBM ESD tolerance on all pins
- 2 x 2 x 0.45 mm QFN package
- Applications include:
 - Tunable Filter Networks
 - Tunable Antennas
 - RFID
 - Tunable Matching Networks
 - Phase Shifters
 - Wireless Communications

Product Description

The PE64905 is a DuNE™-enhanced Digitally Tunable Capacitor (DTC) based on Peregrine's UltraCMOS® technology. DTC products provide a monolithically integrated impedance tuning solution for demanding RF applications.

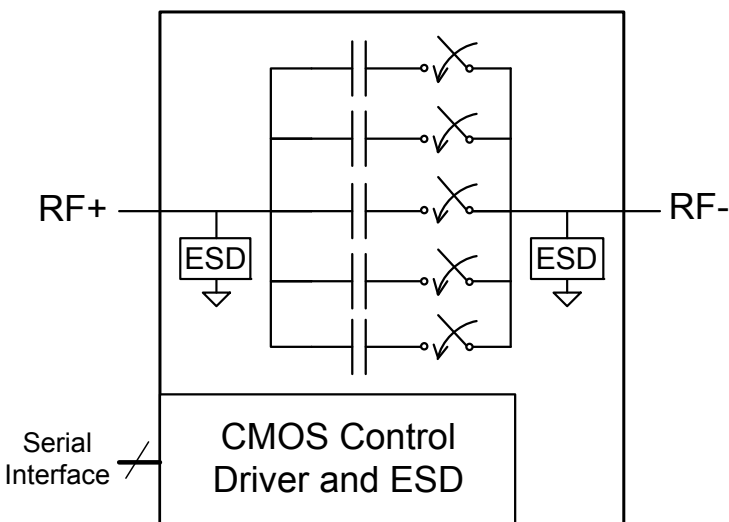
The PE64905 offers high RF power handling and ruggedness, while meeting challenging harmonic and linearity requirements.

This highly versatile product can be used in series or shunt configurations to support a wide variety of tuning circuit topologies.

The device is controlled through the widely supported 2-wire (I²C compatible) interface and has two selectable addresses for implementations with multiple DTCs. All decoding and biasing is integrated on-chip, and no external bypassing, or filtering components are required.

Peregrine's DuNE™ technology enables excellent linearity and exceptional harmonic performance. DuNE devices deliver performance superior to GaAs devices with the economy and integration of conventional CMOS.

Figure 1. Functional Block Diagram



71-0066-01

Figure 2. Package Type

10L 2 x 2 x 0.45 mm QFN package

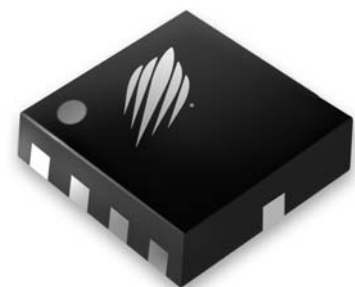


Table 1. Electrical Specifications @ 25°C, V_{DD} = 2.6V

| Parameter | Configuration | Condition | Min | Typ | Max | Units |
|---|-----------------|--|--------------|----------------------|--------------|-------|
| Operating Frequency Range | Both | | 100 | | 3000 | MHz |
| Minimum Capacitance | Series Shunt | State = 00000, 100 MHz (RF+ to RF-) State = 00000, 100 MHz (RF+ to Grounded RF-) | 0.49 0.99 | 0.60 1.10 | 0.71 1.21 | pF |
| Maximum Capacitance | Series Shunt | State = 11111, 100 MHz (RF+ to RF-) State = 11111, 100 MHz (RF+ to Grounded RF-) | 4.09 4.59 | 4.60 5.10 | 5.11 5.61 | pF |
| Parasitic Capacitance | Series | All States, 100 MHz (RF+ to GND, RF- to GND) | | 0.5 | | pF |
| Tuning Ratio | Series Shunt | 100 MHz 100 MHz | | 7.7:1 4.6:1 | | |
| Step Size | Both | 5 bits (32 states), constant step size (100 MHz) | | 0.129 | | pF |
| Equivalent Series Resistance | Series | State = 00000 State = 11111 | | 1.40 1.33 | | Ω |
| Quality Factor (C _{min}) ¹ | Shunt | 100 MHz, with L _s removed 1 GHz, with L _s removed 2 GHz, with L _s removed 3 GHz, with L _s removed | | 10 35 32 25 | | |
| Quality Factor (C _{max}) ¹ | Shunt | 100 MHz, with L _s removed 1 GHz, with L _s removed 2 GHz, with L _s removed 3 GHz, with L _s removed | | 27 25 11 6 | | |
| Self Resonant Frequency | Shunt | State 00000 State 11111 | | 7.5 3.1 | | GHz |
| Harmonics (2fo) ² | Series | 100 MHz - 3 GHz | | | -36 | dBm |
| Harmonics (3fo) ² | | 100 MHz - 3 GHz | | | -36 | dBm |
| Input Intercept Point (2nd Order) | Series | 100 MHz - 3 GHz, +18 dBm per tone, 1 MHz Spacing | | 105 | | dBm |
| Input Intercept Point (3rd Order) | Series | 100 MHz - 3 GHz, +18 dBm per tone, 1 MHz Spacing | | 65 | | dBm |
| Switching Time ^{3,4} | Both | 50% CTRL to 10/90% delta capacitance between any two states | | | 12 | μs |
| Start-up Time ³ | Both | Time from V _{DD} within specification to all performances within specification | | | 100 | μs |
| Wake-up Time ^{3,4} | Both | State change from standby mode to RF state to all performances within specification | | | 100 | μs |

- Notes: 1. Q for a Shunt DTC based on a Series RLC equivalent circuit.
 $Q = X_C/R = (X-X_L)/R$, where $X = X_L+X_C$, $X_L = 2\pi fL$, $X_C = -1/(2\pi fC)$, which is equal to removing the effect of parasitic inductance L_s.
2. In series or shunt between 50Ω ports. Pulsed RF input with 4620 μs period, 50% duty cycle, measured per 3GPP TS 45.005.
3. DC path to ground at RF+ and RF- must be provided to achieve specified performance.
4. State change activated on rising edge of SCL for ACK bit following data word.

Figure 3. Pin Configuration (Top View)

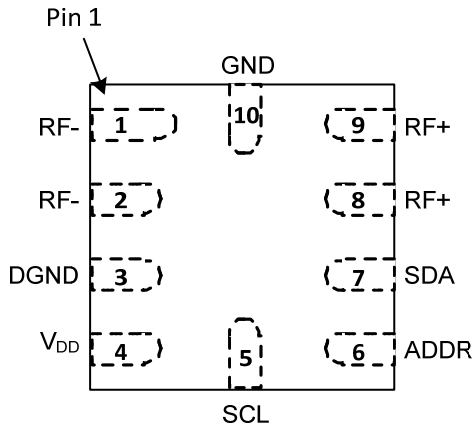


Table 2. Pin Descriptions

| Pin # | Pin Name | Description |
|-------|-----------------|--------------------------------|
| 1 | RF- | Negative RF Port ¹ |
| 2 | RF- | Negative RF Port ¹ |
| 3 | DGND | Ground |
| 4 | V _{DD} | Power supply pin |
| 5 | SCL | Serial interface Clock input |
| 6 | ADDR | Serial Interface Address Input |
| 7 | SDA | Serial interface Data input |
| 8 | RF+ | Positive RF Port ¹ |
| 9 | RF+ | Positive RF Port ¹ |
| 10 | GND | RF Ground |

Note 1: Pins 1-2 and 8-9 must be tied together on PCB for optimal performance.

Table 3. Operating Ranges

| Parameter | Min | Typ | Max | Units |
|---|-----|-----|------|-------|
| V _{DD} Supply Voltage | 2.3 | 2.6 | 3.6 | V |
| I _{DD} Power Supply Current (V _{DD} = 2.6V) | | 140 | 200 | μA |
| I _{DD} Standby Current (V _{DD} = 2.6V) | | 25 | | μA |
| V _{IH} Control Voltage High | 1.2 | 1.8 | 3.6 | V |
| V _{IL} Control Voltage Low | 0 | 0 | 0.57 | V |
| RF Input Power (50Ω) ¹ | | | | |
| 698 - 915 MHz | | | +34 | dBm |
| 1710 -1910 MHz | | | +32 | dBm |
| Peak Operating RF Voltage ² | | | | |
| V _P to V _M | | | 30 | Vpk |
| V _P to RFGND | | | 30 | Vpk |
| V _M to RFGND | | | 30 | Vpk |
| T _{OP} Operating Temperature Range | -40 | | +85 | °C |
| T _{ST} Storage Temperature Range | -65 | | +150 | °C |

Notes: 1. Maximum Power Available from 50Ω Source. Pulsed RF input with 4620 μs period, 50% duty cycle, measured per 3GPP TS 45.005.
2. Node voltages defined per Equivalent Circuit Model Schematic (Figure 18). When DTC is used as a part of reactive network, impedance transformation may cause the internal RF voltages (V_P, V_M) to exceed Peak Operating RF Voltage even with specified RF Input Power Levels. For operation above about +20 dBm (100 mW), the complete RF circuit must be simulated using actual input power and load conditions, and internal node voltages (V_P, V_M in Figure 18) monitored to not exceed 30 Vpk.

Table 4. Absolute Maximum Ratings

| Symbol | Parameter/Conditions | Min | Max | Units |
|------------------|--|------|------|-------|
| V _{DD} | Power supply voltage | -0.3 | 4.0 | V |
| V _I | Voltage on any DC input | -0.3 | 4.0 | V |
| V _{ESD} | ESD Voltage (HBM, MIL_STD 883 Method 3015.7) | | 1500 | V |

Exceeding absolute maximum ratings may cause permanent damage. Operation should be restricted to the limits in the Operating Ranges table. Operation between operating range maximum and absolute maximum for extended periods may reduce reliability.

Electrostatic Discharge (ESD) Precautions

When handling this UltraCMOS[®] device, observe the same precautions that you would use with other ESD-sensitive devices. Although this device contains circuitry to protect it from damage due to ESD, precautions should be taken to avoid exceeding the specified rating.

Latch-Up Avoidance

Unlike conventional CMOS devices, UltraCMOS[®] devices are immune to latch-up.

Moisture Sensitivity Level

The Moisture Sensitivity Level rating for the PE64905 in the 10-lead 2 x 2 x 0.45 mm QFN package is MSL1.

Performance Plots @ 25°C and 2.6V unless otherwise specified

Figure 4. Measured Shunt C (@ 100 MHz) vs State (temperature)

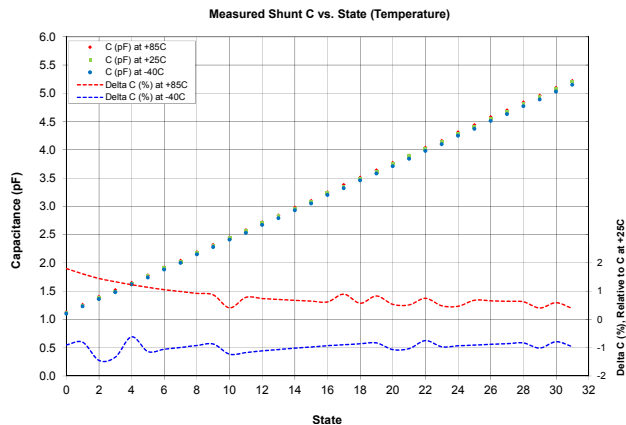


Figure 5. Measured Shunt S₁₁ (major states)

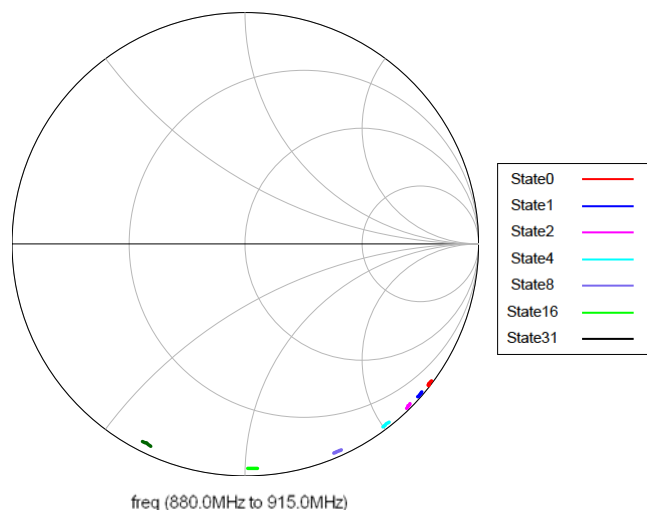


Figure 6. Measured Step Size vs State (frequency)

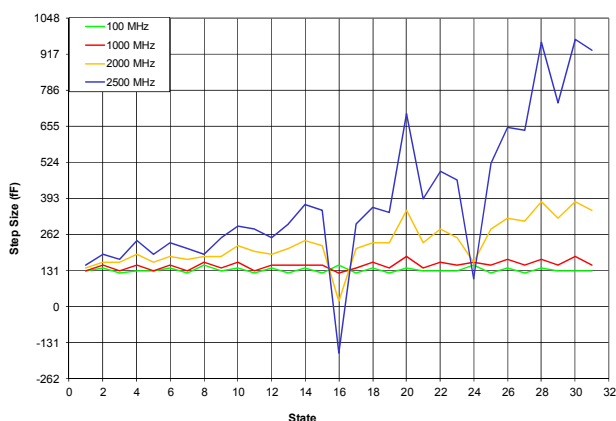


Figure 7. Measured Series S₁₁/S₂₂ (major states)

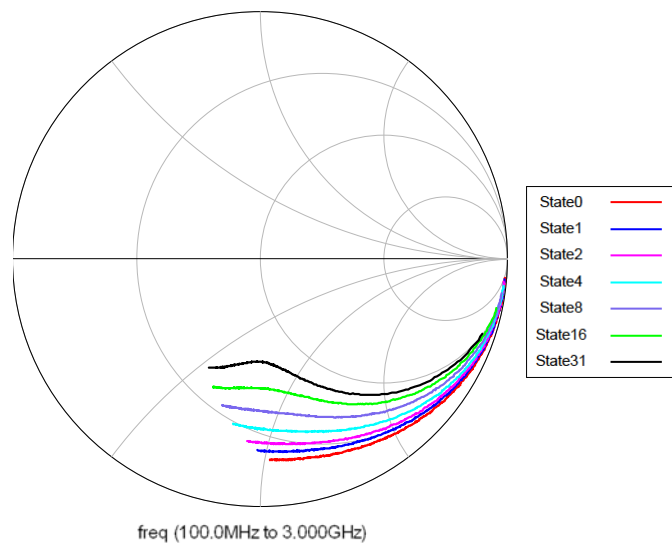


Figure 8. Measured Shunt C vs Frequency (major states)

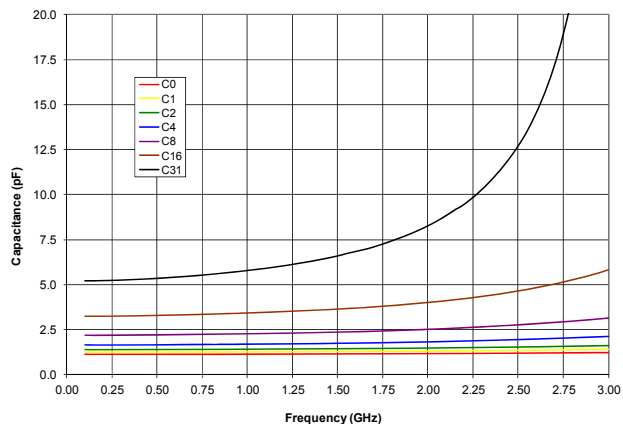


Figure 9. Measured Series S₂₁ vs Frequency (major states)

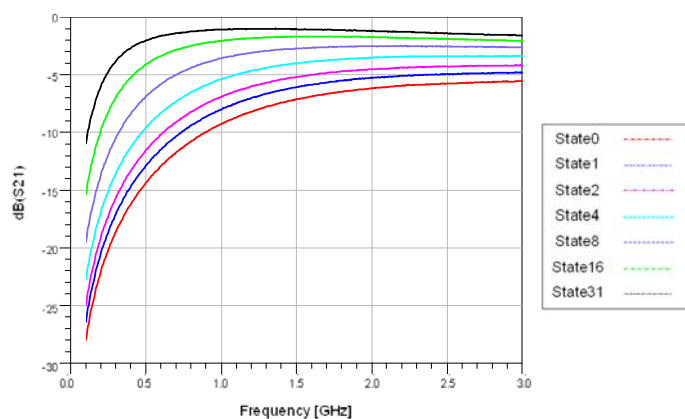


Figure 10. Measured Shunt Q vs Frequency (major states)

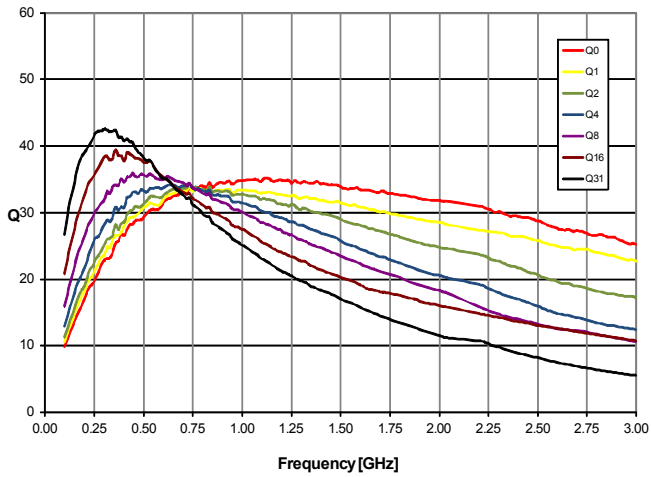


Figure 11. Measured Shunt Q (state 0) vs Frequency (temperature)

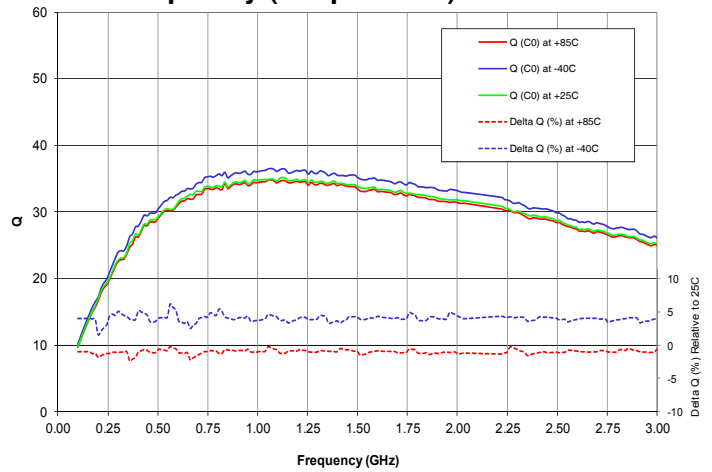
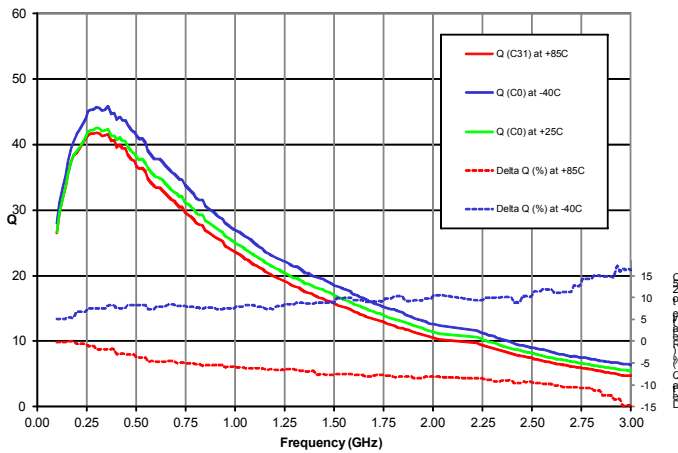


Figure 12. Measured Shunt Q (state 31) vs Frequency (temperature)



Operation at Frequencies Below 100 MHz

The PE64905 may be operated below the 100 MHz specified minimum operating frequency. The total capacitance and peak operating RF voltage are de-rated down to 1 MHz. *Figure 13* shows the total shunt capacitance from 1 MHz through 100 MHz. As seen in *Figure 14*, the maximum RF voltage that can be placed across the RF terminals or across either RF terminal to Ground is de-rated as a function of frequency.

Note: *Table 1* performance specifications are not guaranteed below 100 MHz. *Figures 13, 14, and 15* reflect performance of a typical PE64905.

Figure 13. Measured Shunt C vs Frequency (major states, 1 MHz - 100 MHz)

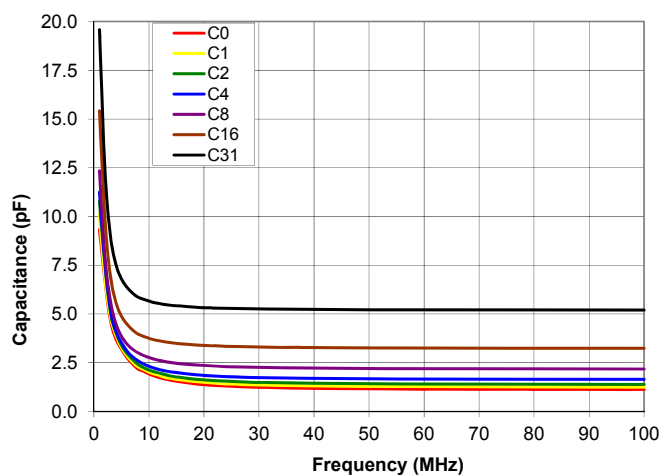


Figure 14. Voltage Derating vs Frequency (1 MHz - 100 MHz)

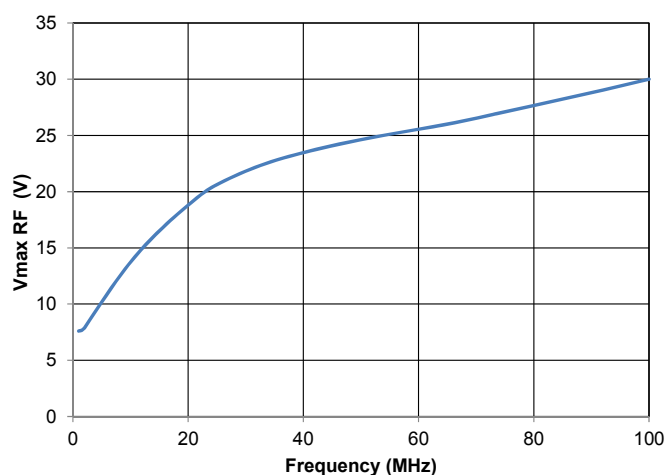
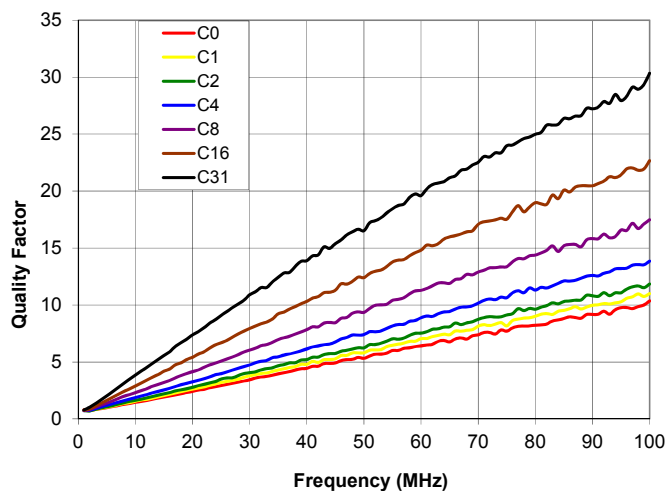


Figure 14. Measured Shunt Q vs Frequency (major states, 1 MHz - 100 MHz)



Serial Interface Operation and Sharing

The Bus Master initiates the start of serial transaction by driving SDA (Serial Data) low while CLK (Serial Clock) remains high. Each bit of the 18-bit telegram is clocked in on the rising edge of SCL. Transitions on SDA are allowed only when SCL is low. The DTC activates the data on the rising edge of the clock pulse for the acknowledgement bit following the data word.

Please refer to Peregrine Application note AN28 for more information regarding the interface.

The DTC can be configured for two different addresses via ADDR pin. Tying ADDR pin to V_{DD} sets the address to 113. Tying ADDR to GND sets the address to 112. Data (SDA), Clock (SCL), and V_{DD} lines may be shared between each DTC.

Figure 16. Serial Interface Timing Diagram (oscilloscope view)

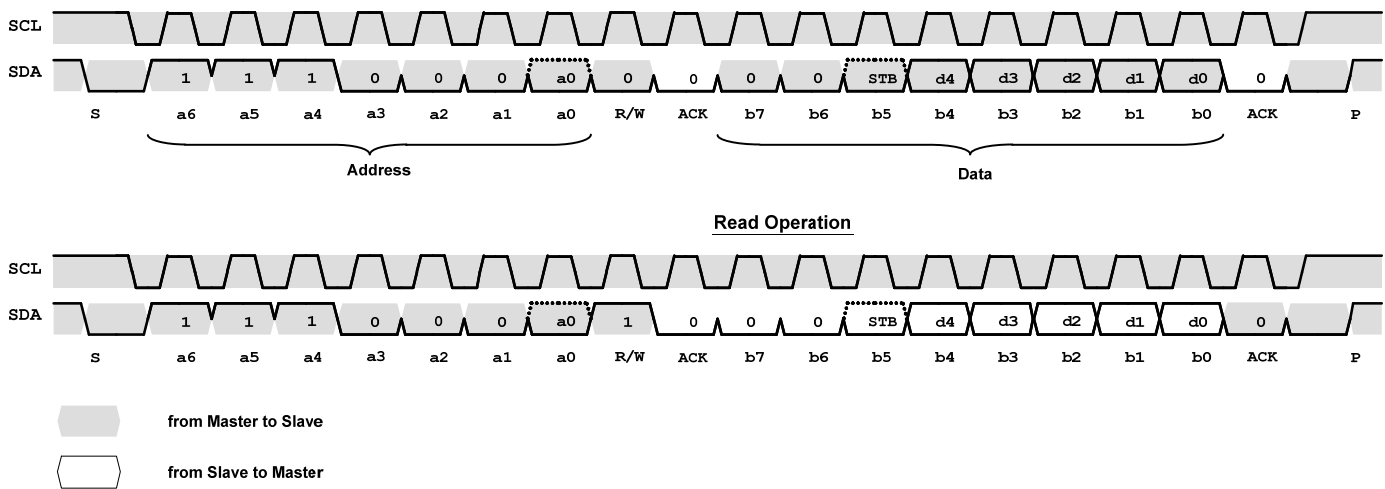


Table 5. Register Map

| b7 | b6 | b5 | b4 | b3 | b2 | b1 | b0 |
|----|----|------|----|----|----|----|----|
| 0 | 0 | STB* | d4 | d3 | d2 | d1 | d0 |

MSB (first in) Note 1: The DTC is active when low (set to 0) and in low-current stand-by mode when high (set to 1) LSB (last in)

Table 6. Serial Interface Timing Characteristics

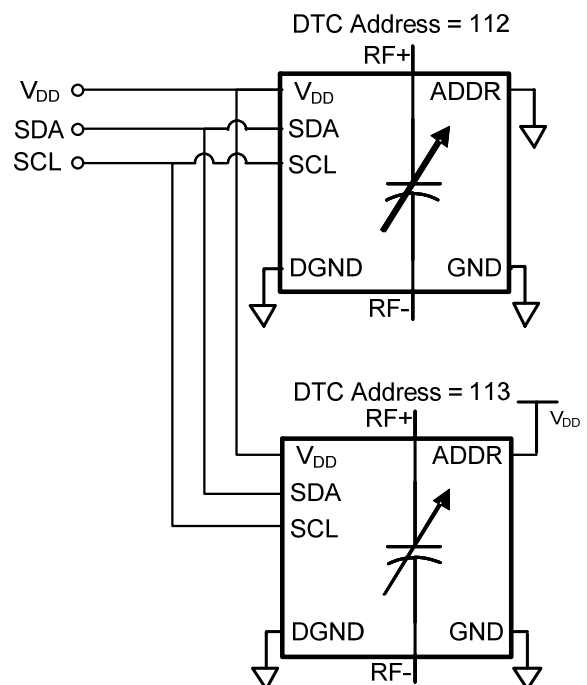
$V_{DD} = 2.6V$, $-40^{\circ}C < T_A < 85^{\circ}C$, unless otherwise specified

| Symbol | Parameter | Min | Max | Units |
|-----------|------------------------|-----|-----|-------|
| f_{CLK} | Serial Clock Frequency | | 400 | kHz |
| t_R | SCL, SDA Rise Time | | 100 | nS |
| t_F | SCL, SDA Fall Time | | 100 | nS |

Table 7. Address Mapping

| ADDR State | Address (DEC) | Address (HEX) | Address (BIN) |
|------------|---------------|---------------|---------------|
| GND | 112 | 0x70 | 1110000 |
| V_{DD} | 113 | 0x71 | 1110001 |

Figure 17. Recommended Bus Sharing



Equivalent Circuit Model Description

The DTC Equivalent Circuit Model includes all parasitic elements and is accurate in both Series and Shunt configurations, reflecting physical circuit behavior accurately and providing very close correlation to measured data. It can easily be used in circuit simulation programs. Most parameters are state independent, and simple equations are provided for the state dependent parameters. The Tuning Core capacitance C_S represents capacitance between RF+ and RF- ports. It is linearly proportional to state (0 to 31 in decimal) in a discrete fashion. The Series Tuning Ratio is defined as C_{Smax}/C_{Smin} .

C_P represents the circuit and package parasitics from RF ports to GND. In Shunt configuration the total capacitance of the DTC is higher due to parallel combination of C_P and C_S . In Series configuration, C_S and C_P do not add in parallel and the DTC appears as an impedance transformation network.

Parasitic inductance due to circuit and package is modeled as L_S and causes the apparent capacitance of the DTC to increase with frequency until it reaches Self Resonant Frequency (SRF). The value of SRF depends on state and is approximately inversely proportional to the square root of capacitance.

The overall dissipative losses of the DTC are modeled by R_S , R_{P1} and R_{P2} resistors. The parameter R_S represents the Equivalent Series Resistance (ESR) of the tuning core and is dependent on state. R_{P1} and R_{P2} represent losses due to the parasitic and biasing networks, and are state-independent.

Table 7. Maximum Operating RF Voltage

| Condition | Limit |
|----------------|--------|
| V_P to V_M | 30 Vpk |
| V_P to RFGND | 30 Vpk |
| V_M to RFGND | 30 Vpk |

Figure 18. Equivalent Circuit Model Schematic

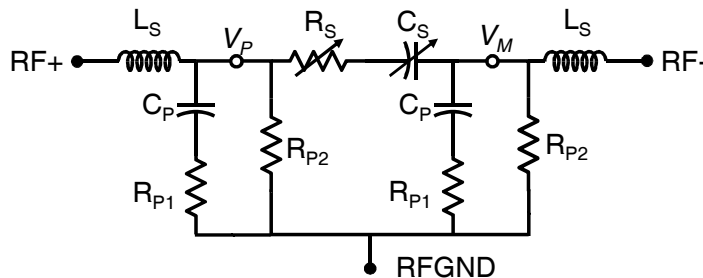


Table 8. Equivalent Circuit Model Parameters

| Variable | Equation (state = 0, 1, 2...31) | Units |
|----------|---|------------|
| C_S | $0.129 \cdot \text{state} + 0.600$ | pF |
| R_S | $20 / (\text{state} + 20 / (\text{state} + 0.7)) + 0.7$ | Ω |
| R_{P1} | 7 | Ω |
| R_{P2} | 10 | k Ω |
| C_P | 0.5 | pF |
| L_S | 0.27 | nH |

Table 9. Equivalent Circuit Data

| State | | DTC Core | |
|--------|---------|------------|--------------------|
| Binary | Decimal | C_s [pF] | R_s [Ω] |
| 00000 | 0 | 0.60 | 1.40 |
| 00001 | 1 | 0.73 | 2.27 |
| 00010 | 2 | 0.86 | 2.83 |
| 00011 | 3 | 0.99 | 3.08 |
| 00100 | 4 | 1.12 | 3.12 |
| 00101 | 5 | 1.25 | 3.05 |
| 00110 | 6 | 1.37 | 2.93 |
| 00111 | 7 | 1.50 | 2.78 |
| 01000 | 8 | 1.63 | 2.64 |
| 01001 | 9 | 1.76 | 2.51 |
| 01010 | 10 | 1.89 | 2.39 |
| 01011 | 11 | 2.02 | 2.27 |
| 01100 | 12 | 2.15 | 2.17 |
| 01101 | 13 | 2.28 | 2.08 |
| 01110 | 14 | 2.41 | 2.00 |
| 01111 | 15 | 2.54 | 1.93 |
| 10000 | 16 | 2.66 | 1.86 |
| 10001 | 17 | 2.79 | 1.80 |
| 10010 | 18 | 2.92 | 1.75 |
| 10011 | 19 | 3.05 | 1.70 |
| 10100 | 20 | 3.18 | 1.65 |
| 10101 | 21 | 3.31 | 1.61 |
| 10110 | 22 | 3.44 | 1.57 |
| 10111 | 23 | 3.57 | 1.54 |
| 11000 | 24 | 3.70 | 1.51 |
| 11001 | 25 | 3.83 | 1.48 |
| 11010 | 26 | 3.95 | 1.45 |
| 11011 | 27 | 4.08 | 1.42 |
| 11100 | 28 | 4.21 | 1.40 |
| 11101 | 29 | 4.34 | 1.37 |
| 11110 | 30 | 4.47 | 1.35 |
| 11111 | 31 | 4.60 | 1.33 |

Layout Recommendations

For optimal results, place a ground fill directly under the DTC package on the PCB. Layout isolation is desired between all control and RF lines. When using the DTC in a shunt configuration, it is important to make sure the RF- pin is solidly grounded to a filled ground plane. Ground traces should be as short as possible to minimize inductance. A continuous ground plane is preferred on the top layer of the PCB. When multiple DTCs are used together, the physical distance between them should be minimized and the connection should be as wide as possible to minimize series parasitic inductance.

Figure 19. Recommended Schematic of Multiple DTCs

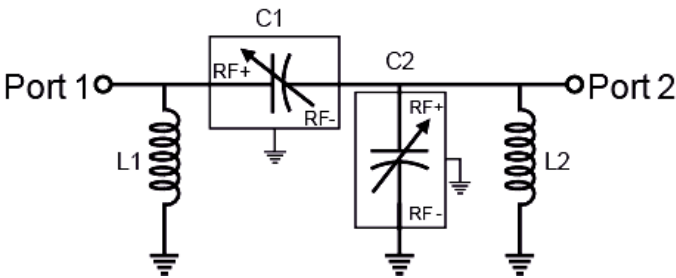
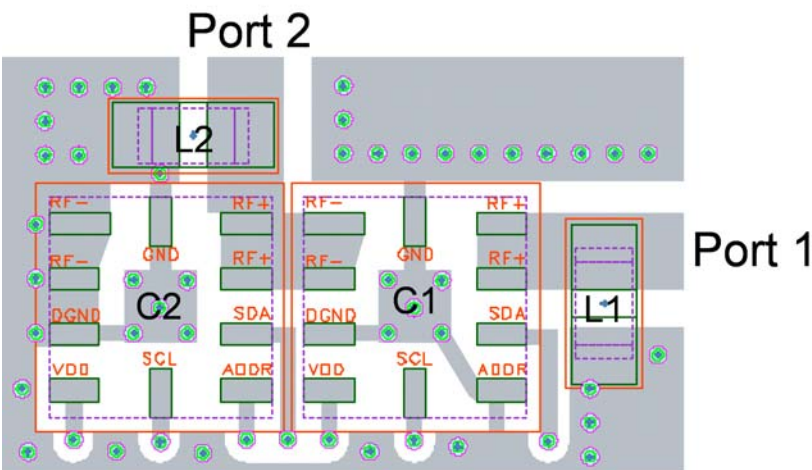


Figure 20. Recommended Layout of Multiple DTCs



Evaluation Board

The 101-0597 Evaluation Board (EVB) was designed for accurate measurement of the DTC impedance and loss. Two configurations are available: 1 Port Shunt (J3) and 2 Port Series (J4, J5). Three calibration standards are provided. The open (J2) and short (J1) standards (104 ps delay) are used for performing port extensions and accounting for electrical length and transmission line loss. The Thru (J9, J10) standard can be used to estimate PCB transmission line losses for scalar de-embedding of the 2 Port Series configuration (J4, J5).

The board consists of a 4 layer stack with 2 outer layers made of Rogers 4350B ($\epsilon_r = 3.48$) and 2 inner layers of FR4 ($\epsilon_r = 4.80$). The total thickness of this board is 62 mils (1.57 mm). The inner layers provide a ground plane for the transmission lines. Each transmission line is designed using a coplanar waveguide with ground plane (CPWG) model using a trace width of 32 mils (0.813 mm), gap of 15 mils (0.381 mm), and a metal thickness of 1.4 mils (0.051 mm).

Figure 21. Evaluation Board

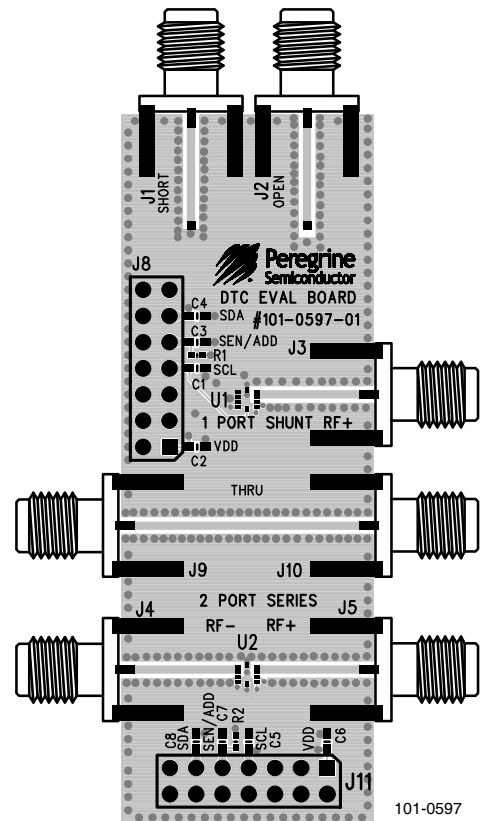
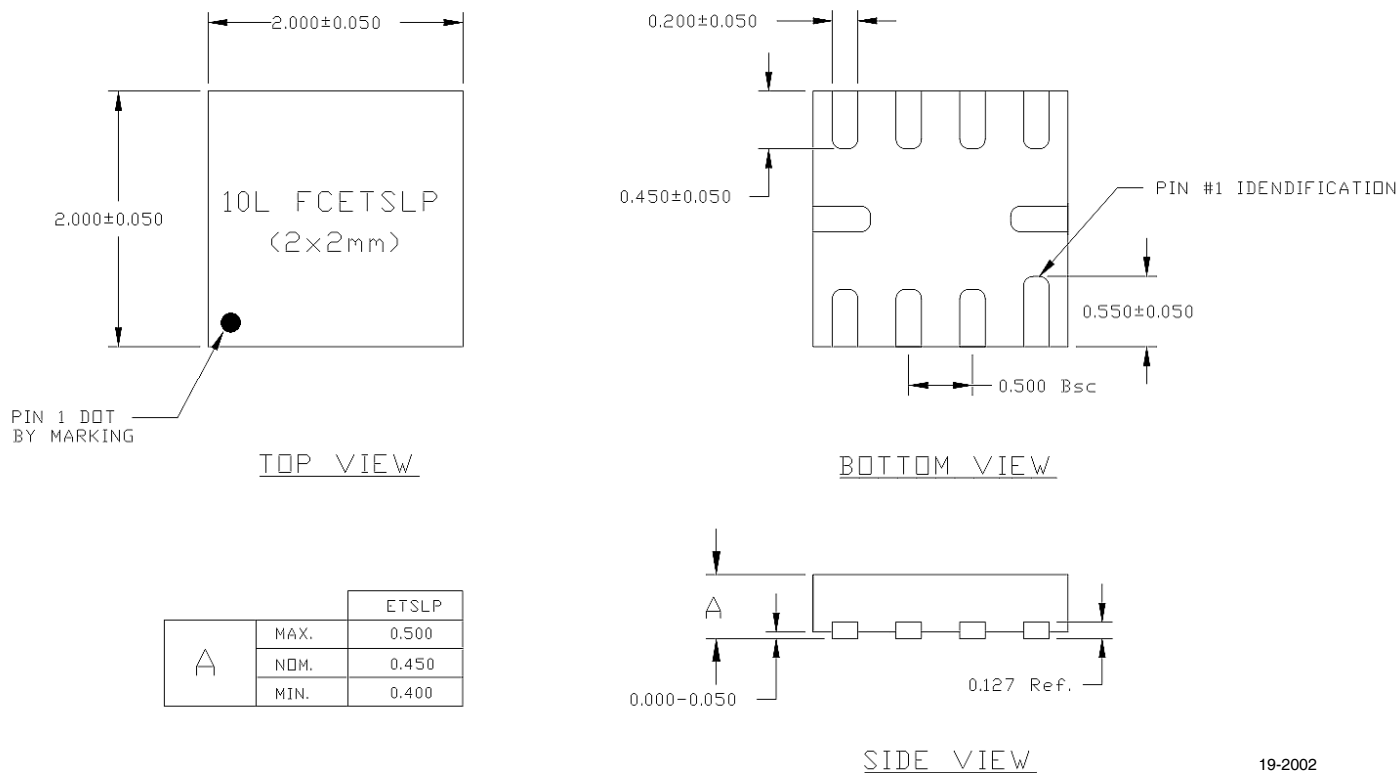
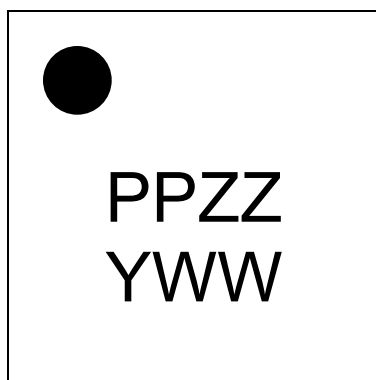


Figure 22. Package Drawing
10-lead 2 x 2 x 0.45 mm



19-2002

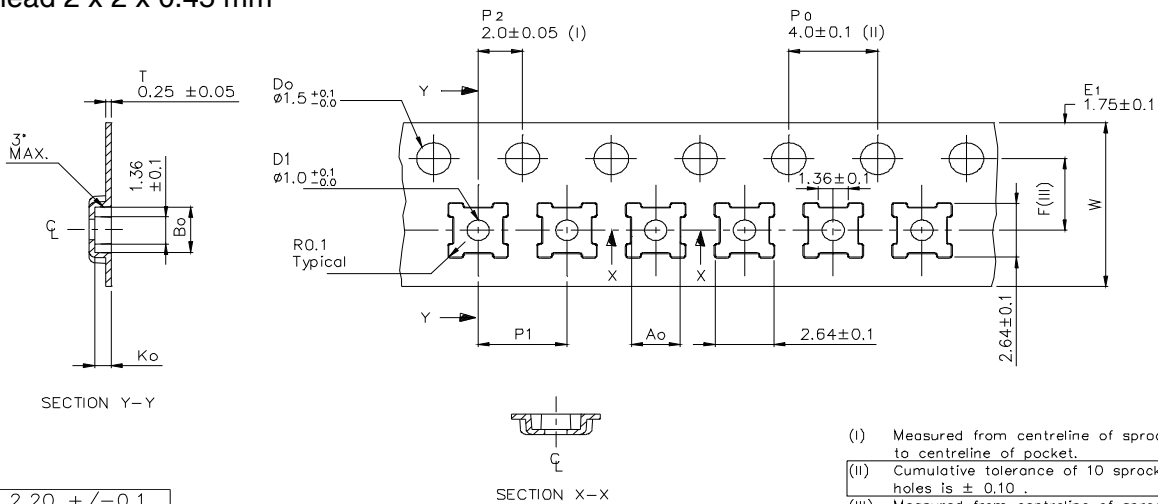
Figure 23. Marking Specifications



17-0112

| Marking Spec Symbol | Package Marking | Definition |
|---------------------|-----------------|--|
| PP | CF | Part number marking for PE64905 |
| ZZ | 00-99 | Last two digits of lot code |
| Y | 0-9 | Last digit of year, starting from 2009 (0 for 2010, 1 for 2011, etc) |
| WW | 01-53 | Work week |

Figure 24. Tape and Reel Specifications
10-lead 2 x 2 x 0.45 mm



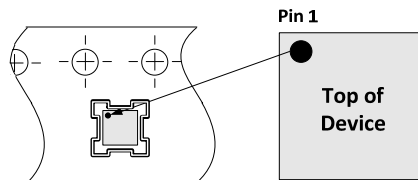
| | |
|----|--------------|
| Ao | 2.20 +/−0.1 |
| Bo | 2.20 +/−0.1 |
| Ko | 0.75 +/−0.1 |
| F | 3.50 +/−0.05 |
| P1 | 4.00 +/−0.1 |
| W | 8.00 +/−0.3 |

- (I) Measured from centreline of sprocket hole to centreline of pocket.
- (II) Cumulative tolerance of 10 sprocket holes is ± 0.10 .
- (III) Measured from centreline of sprocket hole to centreline of pocket.
- (IV) Other material available.

This part shall not contain any banned substance as Sony standard SS-00259

ALL DIMENSIONS IN MILLIMETERS UNLESS OTHERWISE STATED.

-----> Tape Feed Direction ----->



Device Orientation in Tape

Table 9. Ordering Information

| Order Code | Package | Description | Shipping Method |
|---------------|-----------------------------|-------------------------------|-----------------|
| PE64905MLBB-Z | 10-lead QFN 2 x 2 x 0.45 mm | Package Part in Tape and Reel | 3000 units/T&R |
| EK64905-12 | Evaluation Kit | Evaluation Kit | 1 Set/Box |

Sales Contact and Information

For sales and contact information please visit www.psemi.com.

Advance Information: The product is in a formative or design stage. The datasheet contains design target specifications for product development. Specifications and features may change in any manner without notice. **Preliminary Specification:** The datasheet contains preliminary data. Additional data may be added at a later date. Peregrine reserves the right to change specifications at any time without notice in order to supply the best possible product. **Product Specification:** The datasheet contains final data. In the event Peregrine decides to change the specifications, Peregrine will notify customers of the intended changes by issuing a CNF (Customer Notification Form).

The information in this datasheet is believed to be reliable. However, Peregrine assumes no liability for the use of this information. Use shall be entirely at the user's own risk.

No patent rights or licenses to any circuits described in this datasheet are implied or granted to any third party.

Peregrine's products are not designed or intended for use in devices or systems intended for surgical implant, or in other applications intended to support or sustain life, or in any application in which the failure of the Peregrine product could create a situation in which personal injury or death might occur. Peregrine assumes no liability for damages, including consequential or incidental damages, arising out of the use of its products in such applications.

The Peregrine name, logo, UltraCMOS and UTSi are registered trademarks and HaRP, MultiSwitch and DuNE are trademarks of Peregrine Semiconductor Corp. All other trademarks mentioned herein are the property of their respective companies.