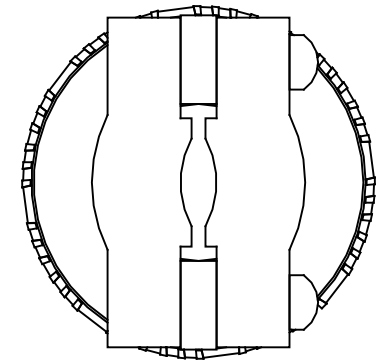
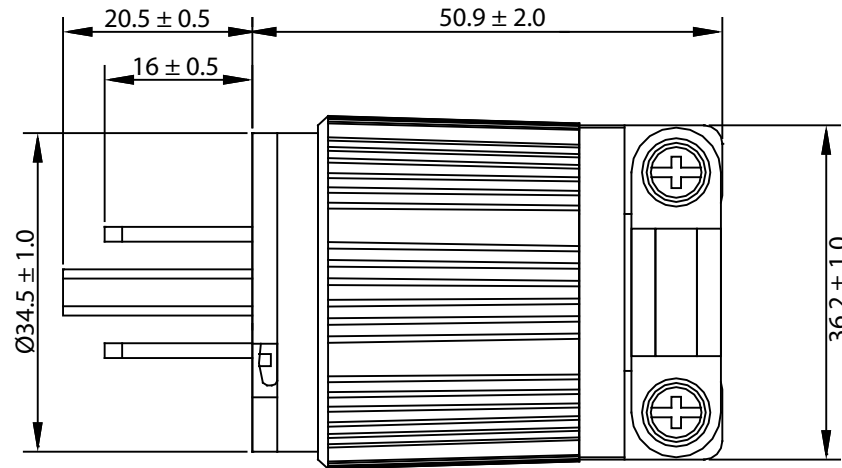
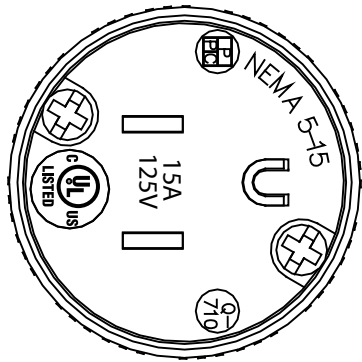


THESE DRAWINGS ARE THE PROPERTY OF QUALTEK ELECTRONICS AND NOT TO BE REPRODUCED FOR OR COMMUNICATED TO A THIRD PARTY WITHOUT THE EXPRESS WRITTEN PERMISSION OF AN OFFICER OF QUALTEK ELECTRONICS.

REVISION			
REV.	DESCRIPTION	DATE	APPROVED
B	Updated Specifications	04-15-09	LY



CONTROLLED

NOTES:

- RATING: 15A 125VAC
- COLOR: BLACK
- CORD CLAMP: ACCEPTS 18/3 - 12/3 CABLE
- TERMINAL I.D.:
 - GROUND TERMINAL SCREW GREEN AND MARKED "GR"
 - LINE TERMINAL SCREW BLACK
 - NEUTRAL TERMINAL SCREW WHITE AND MARKED WITH "W"
- APPROVALS: UL/cUL LISTED: E139592
- ROHS COMPLIANT

Dim range (mm)		Tolerance +/- (mm)	Qualtek Electronics Corp. PPC DIVISION	
0-1		0.15	Part Number: Q-710	RoHS Compliant
1-6		0.20	Description: NEMA 5-15P STRAIGHT BLADE DEVICE	
6-18		0.30		
18-50		0.50	UNIT: mm	REV. B
50-120		0.70	Drawn / Date	Checked / Date
120-250		0.90	R.Nuti 02-05-09	02-05-09
250-500		1.20		Approved / Date LY / 02-05-09