



Introducing SOLARLOK Locking Collar Connector Accessory

The SOLARLOK locking collar connector accessory is applied to the fully mated cable coupler male and female connectors. This connector latch locking collar helps to prevent any access to the cable coupler release feature thus making accidental disconnects a thing of the past. In order to release the connector latch locking collar, a simple flathead screwdriver will need to be inserted into the screwdriver slot, lifted and slid back to expose the connector squeeze to release wings. This action will open the locking accessory and qualify as a “tooled extraction.”

SOLARLOK Locking Collar Connector Accessory



KEY FEATURES

- Meets NEC 2008 Article 690.33(c) tool extraction requirement
- Made from rugged, durable plastic meant to survive high impact applications in conjunction with UL standards.
- The material is UV rated to F-1 to provide long product life in sunlight applications.

APPLICATIONS

This connector locking collar will be required by NEC 2008 code in any accessible photovoltaic locations where mated cable couplers will be exposed. This includes wire-to-wire applications and wire-to-junction box applications when connectorized boxes are used.

MECHANICAL

Incorporates a simple locking feature molded into the plastic to provide strong mechanical features, yet provides ease-of-use.

MATERIALS

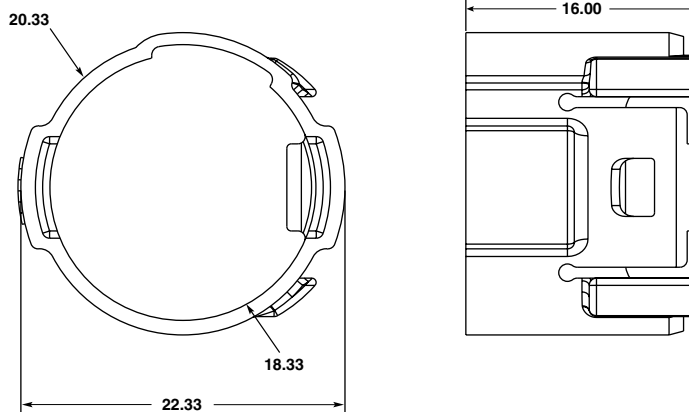
The connector latch locking collar is made from a polycarbonate material that is UV rated to F-1 for a long performance life.

PRODUCT OFFERING

Part number : **2106207-1**

APPLICATION TOOLING

Small flathead screwdriver



Tyco Electronics Corporation Technical Support Center

USA:	+1 (800) 522-6752
Canada:	+1 (905) 470-4425
Central America & Mexico	+ 52(0) 55-1106-0814
South America:	+55 (0) 11-2103-6000
Germany:	+49 (0) 6251-133-1999
UK:	+ 44 (0) 8706-080208
France:	+33 (0) 1-3420-8686
Netherlands:	+31 (0) 73-6246-999
China:	+86 (0) 400-820-6015

www.tycoelectronics.com/solar

© 2009 Tyco Electronics Corporation. All Rights Reserved.
1-1773455-4 CIS 2.5M FP 08/2009
SOLARLOK, TE logo and Tyco Electronics are trademarks.

 **Tyco Electronics**
Our commitment. Your advantage.

While Tyco Electronics has made every reasonable effort to ensure the accuracy of the information in this catalog, Tyco Electronics does not guarantee that it is error-free, nor does Tyco Electronics make any other representation, warranty or guarantee that the information is accurate, correct, reliable or current. Tyco Electronics reserves the right to make any adjustments to the information contained herein at any time without notice. Tyco Electronics expressly disclaims all implied warranties regarding the information contained herein, including, but not limited to, any implied warranties of merchantability or fitness for a particular purpose. The dimensions in this catalog are for reference purposes only and are subject to change without notice. Specifications are subject to change without notice. Consult Tyco Electronics for the latest dimensions and design specifications.