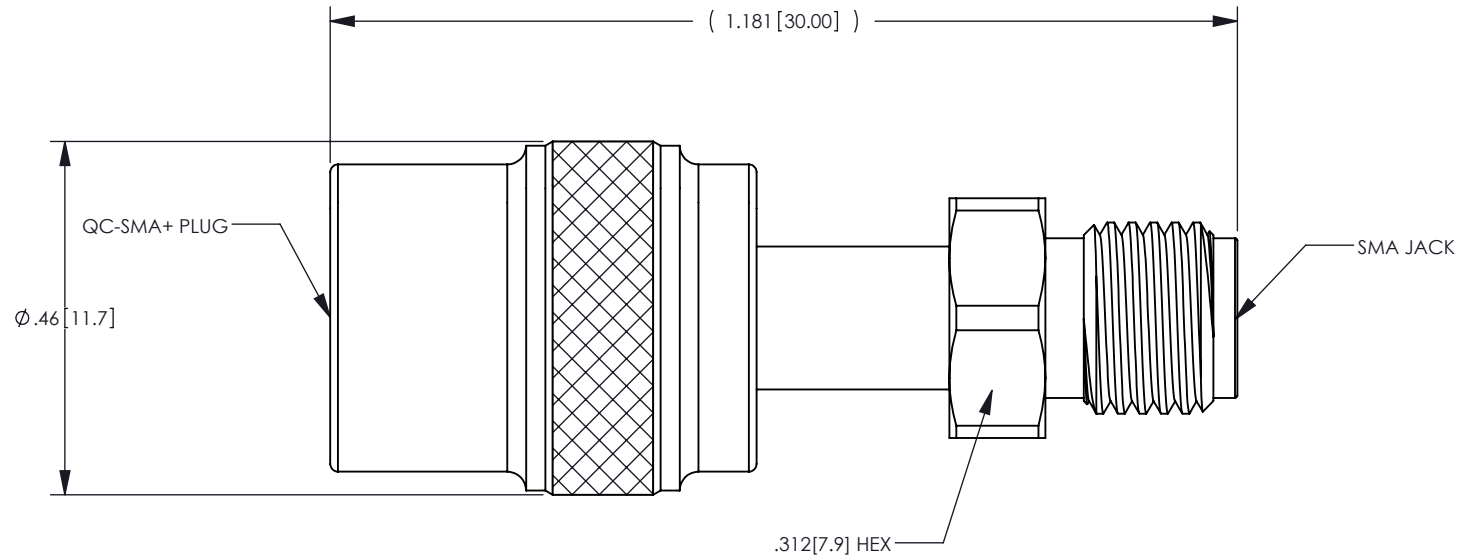
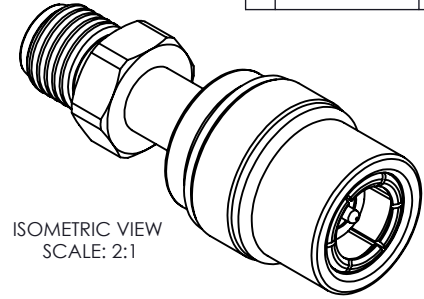


NOTES: UNLESS OTHERWISE SPECIFIED

1. QC-SMA+ TO BE USED ON AN SMA JACK CONNECTOR HAVING A THREAD LENGTH (FROM END OF HOUSING) OF .170 TO .220
2. FOR GENERAL SERIES SPECIFICATIONS, SEE SD11-0000 FOR QC-SMA+ AND SD35-0000 FOR THE SMA.
3. MATERIALS:
 CENTER CONTACT: BERYLLIUM COPPER PER ASTM B196
 LOCKING SLEEVE, BODYS: BRASS PER ASTM B16
 DIELECTRIC: PTFE PER ASTM D1710
4. FINISHES:
 CENTER CONTACT: .000030 MIN GOLD PER ASTM B4888 OVER
 .000080 MIN NICKEL PER AMX-QQ-N-290(RoHS)
 ALL OTHER METAL PARTS: .000100 MIN NICKEL PER AMS-QQ-N-290 OVER
 COPPER FLASH PER ASTM B734 (RoHS)
5. ELECTRICAL CHARACTERISTICS: (PRELIMINARY, SUBJECT TO CHANGE)
 FREQ RANGE: DC TO 27 GHz
 VSWR: 1.15 MAX DC TO 12 GHz, 1.22 MAX 12 TO 27 GHz
 INSERTION LOSS: .06 x f (GHz)

REV	DESCRIPTION	BY DATE	APPD
A	RELEASE ER13487	DCam 2/3/09	DCam



CATALOG NO:110-351-0000N

PER ASME Y14.5M-1994 UNLESS OTHERWISE SPECIFIED: DIMENSIONS ARE IN INCHES [MM] TOLERANCES: DECIMAL: .XX [X.X] ± .01 [0.3] .XXX [X.XX] ± .005 [0.13] .XXXX [X.XXX] ± .XXXX ANGLES: ± 2° SCALE: 4:1				 Winchester Electronics Corporation 62 Barnes Industrial Road North Wallingford, Connecticut 06492	
CUSTOMER/SALES DRAWING			 QC-SMA+ PLUG TO SMA JACK ADAPTER (RoHS)		
DRAWN	DATE	APPROVED	DATE		
DCam	3/21/06	DCam	3/21/06		
APPROVED	DATE	APPROVED	DATE		
R.LARSEN	2/3/09	WPM	2/3/09		
A				SD110-351-0000N	SHT 1 OF 1
				REV	A