

PLEASE CHECK WWW.MOLEX.COM FOR LATEST PART INFORMATION

Part Number: [0496250982](#)
Status: **Active**
Description: 4.20mm (.165") Wire-to-Wire Upper TPA™ for Male Housing, 9 Circuits

Documents:

[Drawing \(PDF\)](#) [RoHS Certificate of Compliance \(PDF\)](#)

General

Product Family	Crimp Housings
Series	49625
Product Name	N/A

Physical

Circuits (maximum)	9
Circuits Detail	9
Color - Resin	Red
Gender	Male
Glow-Wire Compliant	No
Keying to Mating Part	None
Lock to Mating Part	Yes
Material - Resin	Nylon
Number of Rows	1
Packaging Type	Bag
Panel Mount	No
Pitch - Mating Interface (in)	0.165 In
Pitch - Mating Interface (mm)	4.20 mm
Polarized to Mating Part	Yes
Stackable	No
Temperature Range - Operating	-40°C to +105°C

Material Info

Reference - Drawing Numbers

Sales Drawing	SD-49625-001
---------------	--------------

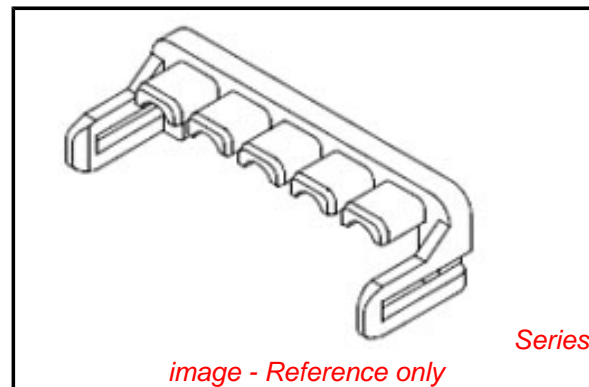


image - Reference only

EU RoHS

ELV and RoHS Compliant
REACH SVHC
 Not Reviewed
Halogen-Free Status

China RoHS



Need more information on product environmental compliance?

Email productcompliance@molex.com
 For a multiple part number RoHS Certificate of Compliance, [click here](#)

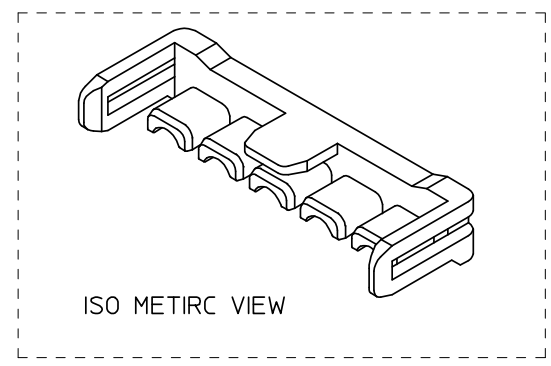
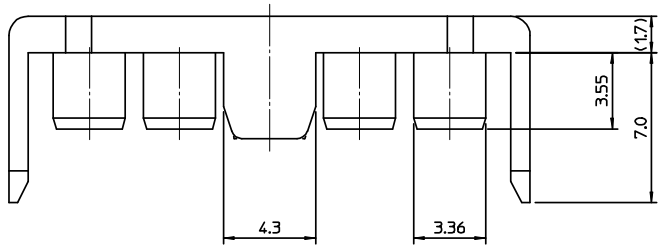
Please visit the [Contact Us](#) section for any non-product compliance questions.

Search Parts in this Series

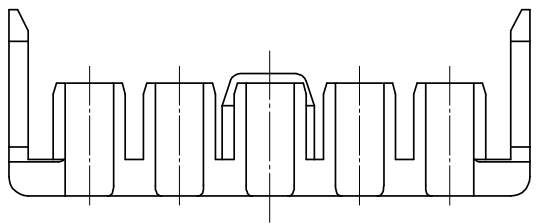
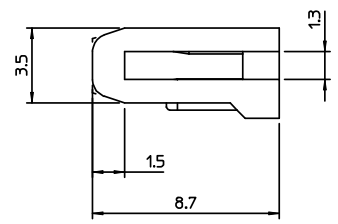
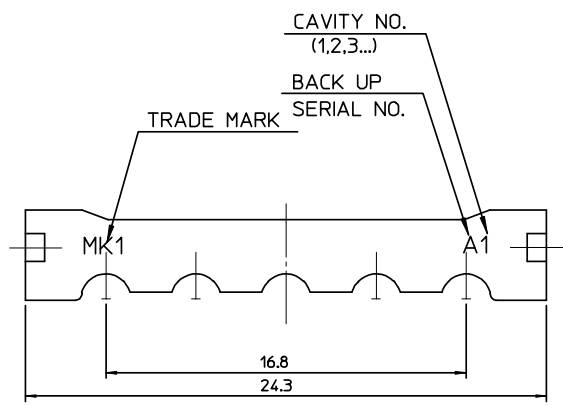
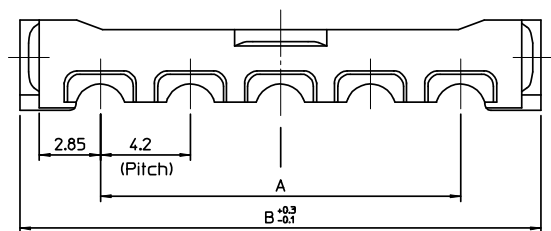
[49625Series](#)

Mates With

4.20mm (.165") Wire-to-Wire Male TPA™
[49623](#)



ISO METRIC VIEW



-TABLE-

49625-1182	496251182	42	49.5	11
49625-1082	496251082	37.8	45.3	10
49625-0982	496250982	33.6	41.1	09
49625-0682	496250682	21.0	28.5	06
49625-0582	496250582	16.8	24.3	05
49625-0382	496250382	8.4	15.9	03
ENG NO.	MATREIAL NO.	A	B	CIRCUIT

NOTES

1. MATERIAL : POLYAMIDE(PA66), GLASS FILLED, UL94V-HB
COLOR : RED
2. APPLICABLE TERMINAL : 5558 T2A SERIES.
5558 T SERIES.
3. MATED WITH HOUSING : 49623-**90 SERIES.
4. PRODUCT SPECIFICATION : PS-49623-001.

RELEASED EC NO: KOR2008-0134 DRWN:SKHAN01 2008/02/27 CHKD:WY YANG 2008/02/29 APPR:YUNS.IKK.IH 2008/02/29	QUALITY SYMBOLS ▽=0 ▽=0	GENERAL TOLERANCES (UNLESS SPECIFIED)		DIMENSION STYLE MM ONLY		SCALE 4:1	DESIGN UNITS METRIC	THIRD ANGLE PROJECTION	
		4 PLACES ± --- ± --- 3 PLACES ± --- ± --- 2 PLACES ± 0.3 ± --- 1 PLACE ± 0.3 ± --- ANGULAR ± 3 °	mm INCH	DRAWN BY SK.HAN	DATE 2008/01/29	TITLE 4.2MM W/W TPA CONN. UPPER TPA FOR MALE HOUSING		Molex MOLEX INCORPORATED	
A	REV	DRAFT WHERE APPLICABLE MUST REMAIN WITHIN DIMENSIONS		MATERIAL NO. SEE TABLE		DOCUMENT NO. SD-49625-001		THIS DRAWING CONTAINS INFORMATION THAT IS PROPRIETARY TO MOLEX INCORPORATED AND SHOULD NOT BE USED WITHOUT WRITTEN PERMISSION	