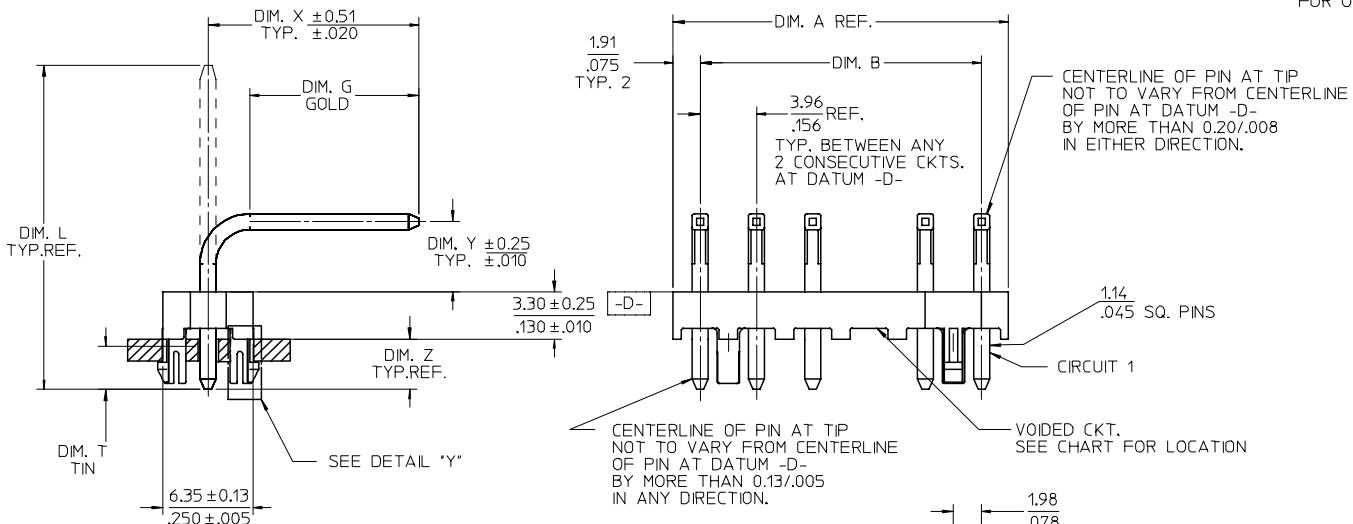
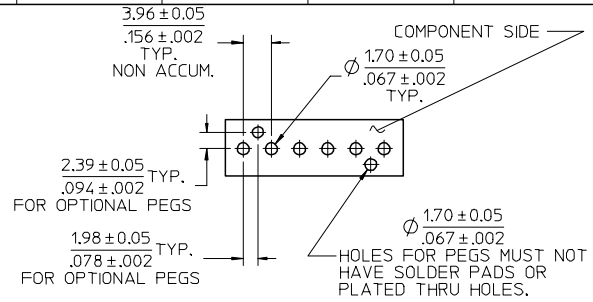
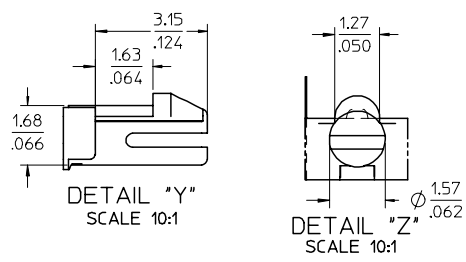
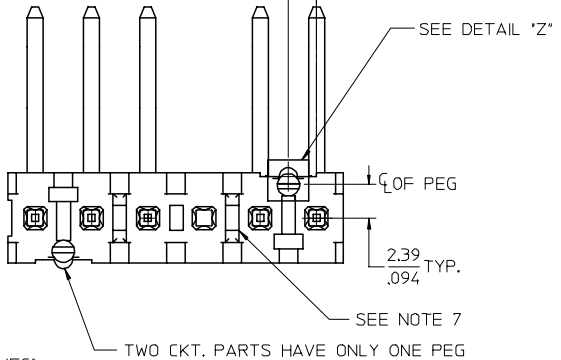


13 12 11 10 9 8 7 6 5 4 3 2 1



NO. OF CKTS.	NO. OF PEGS	DIM. A	DIM. B
2	1	7.77 .306	3.96±0.05 .156±.002
3	2	11.73 .462	7.92±0.08 .312±.003
4	2	15.70 .618	11.89±0.08 .468±.003
5	2	19.66 .774	15.85±0.10 .624±.004
6	2	23.62 .930	19.81±0.10 .780±.004
7	2	27.58 1.086	23.77±0.10 .936±.004
8	2	31.55 1.242	27.74±0.13 1.092±.005
9	2	35.51 1.398	31.70±0.13 1.248±.005
10	2	39.47 1.554	35.66±0.13 1.404±.005
11	2	43.43 1.710	39.62±0.15 1.560±.006
12	2	47.40 1.866	43.59±0.15 1.716±.006
13	2	51.36 2.022	47.55±0.15 1.872±.006
14	2	55.32 2.178	51.51±0.18 2.028±.007
15	2	59.28 2.334	55.47±0.18 2.184±.007
16	2	63.25 2.490	59.44±0.18 2.340±.007
17	2	67.21 2.646	63.40±0.20 2.496±.008
18	2	71.17 2.802	67.36±0.20 2.652±.008

- NOTES:**
1. MATERIAL: HEADER-GLASS FILLED POLYESTER, 94V-0, MOLDED NATURAL (WHITE).
  2. FINISHES: (102) - OVERALL TIN: (0.00508)/.000200 MIN. OVERALL COPPER UNDERPLATE: (0.00254)/.000100 MIN. (208) - SELECT GOLD: (0.00038)/.000015 MIN., \*SELECT TIN: (0.00254)/.000100 MIN., OVERALL NICKEL UNDERPLATE: (0.00127)/.000050 MIN. (1228) - SELECT GOLD: (0.00076)/.000030 MIN., \*SELECT TIN: (0.00254)/.000100 MIN., OVERALL NICKEL UNDERPLATE: (0.00127)/.000050 MIN. (501) - OVERALL GOLD: (0.00051)/.000020 MIN., OVERALL NICKEL UNDERPLATE: (0.00076)/.000030 MIN.
  - \* THE PRIMARY SHIPPING CARTON WILL BE LABELED "COMPLIANT TO RoHS DIRECTIVE 2002/95/EC AND ELV ANNEX II OF DIRECTIVE 2000/53/EC" CARTONS WITHOUT THIS LABEL MAY CONTAIN PRODUCT WITH TIN/LEAD PLATINGS"
  3. PRODUCT SPECIFICATION PS-08-50.
  4. PACKAGING INFORMATION: SEE CHARTS.
  5. PARTS ARE STACKABLE END TO END ON (3.96)/.156 CENTERS.
  6. FOR PARTS WITHOUT PEGS, SEE DRAWING SDA-41772.
  7. EXPANSION SLOTS TO BE THRU-SLOTS, AS SHOWN, FOR 4 THRU 18 CKT. PARTS.
  8. SOLDERABILITY: WHEN PARTS ARE SOLDERED AT A TEMPERATURE OF (230° C) OR 446° F FOR 5 SECONDS, EACH SOLDERED SURFACE SHALL BE A MINIMUM OF 95% COVERED WITH A SMOOTH CONTINUOUS ADHERENT COATING. FOR OTHER INFORMATION SEE SMES-152.
  9. PIN PUSH OUT FORCE: PRIOR TO SOLDERING, A 3 LB MINIMUM FORCE (IN EITHER DIRECTION) SHALL BE REQUIRED TO PUSH THE PIN OUT OF THE HEADER.
  10. 6 CIRCUIT PART SHOWN.
  11. THIS PART CONFORMS TO CLASS B REQUIREMENTS OF COSMETIC SPECIFICATION PS-45499-002.



UPDATE NOTES	QUALITY SYMBOLS
FC NO: UCP2007-2132	▽=0
DRW:PRI:DER 2007/03/21	▽=0
CHKD:ADER 2007/03/27	
APPR:FSM:TH 2007/03/28	
REV	
H1	

GENERAL TOLERANCES (UNLESS SPECIFIED)	
4 PLACES ±---	±---
3 PLACES ±---	±---
2 PLACES ±---	±---
1 PLACE ±---	±---
ANGULAR ±1/2°	
DRAFT WHERE APPLICABLE MUST REMAIN WITHIN DIMENSIONS	

DIMENSION STYLE	
MM/IN <td>DATE </td>	DATE
DRAWN BY	TITLE
SAMIEC	1991/01/15
CHECKED BY	DATE
PATEL	1991/01/15
APPROVED BY	DATE
LENZ	1991/01/15
MATERIAL NO.	DOCUMENT NO.
SEE CHART	SD-42872-001

SCALE	DESIGN UNITS	THIRD ANGLE PROJECTION
4:1	INCH	⊙
FLAT HEADER ASSEMBLY (3.96)/.156 CENTERS, SQ BENT PINS, W/ PEGS		
MOLEX INCORPORATED		
SHEET NO.	1 OF *	

12 11 10 9 8 7 6 5 4 3 2 1

ENG. NO: A-42872-0002/0018			ENG. NO: A-42872-0120/0136			ENG. NO: A-42872-0137/0153			ENG. NO: A-42872-0036/0052		
HEADER NUMBER	41770-0036/0052		HEADER NUMBER	41770-0036/0052		HEADER NUMBER	41770-0036/0052		HEADER NUMBER	41770-0036/0052	
PIN NUMBER	2161-16(102)		PIN NUMBER	43294-0470		PIN NUMBER	43294-0471		PIN NUMBER	2161-52(102)	
PLATING	102		PLATING	208		PLATING	228		PLATING	102	
DIM. L	(25.40)/1.000		DIM. L	(25.40)/1.000		DIM. L	(25.40)/1.000		DIM. L	(27.00)/1.063	
DIM. X	(14.86)/.585		DIM. X	(14.86)/.585		DIM. X	(14.86)/.585		DIM. X	(16.51)/.650	
DIM. G (GOLD)	N/A		DIM. G (GOLD)	(7.11)/.280		DIM. G (GOLD)	(7.11)/.280		DIM. G (GOLD)	N/A	
DIM. Y	(4.95)/.195		DIM. Y	(4.95)/.195		DIM. Y	(4.95)/.195		DIM. Y	(4.95)/.195	
DIM. Z	(3.56)/.140		DIM. Z	(3.56)/.140		DIM. Z	(3.56)/.140		DIM. Z	(3.51)/.138	
DIM. T (TIN)	OVERALL		DIM. T (TIN)	(4.06)/.160		DIM. T (TIN)	(4.06)/.160		DIM. T (TIN)	OVERALL	
ANG. W	90°		ANG. W	90°		ANG. W	90°		ANG. W	90°	
VOID CKTS	NONE		VOID CKTS	NONE		VOID CKTS	NONE		VOID CKTS	NONE	
PACKAGING	PK-41772-002 (BULK)		PACKAGING	PK-41772-002 (BULK)		PACKAGING	PK-41772-002 (BULK)		PACKAGING	PK-41772-002 (BULK)	
CKTS	EDP NO.	ENG. NO.	CKTS	EDP NO.	ENG. NO.	CKTS	EDP NO.	ENG. NO.	CKTS	EDP NO.	ENG. NO.
02	26-60-9023	A-42872-0002	02	42872-0120	A-42872-0120	02	42872-0137	A-42872-0137	02	26-60-9025	A-42872-0036
03	26-60-9033	A-42872-0003	03	42872-0121	A-42872-0121	03	42872-0138	A-42872-0138	03	26-60-9035	A-42872-0037
04	26-60-9043	A-42872-0004	04	42872-0122	A-42872-0122	04	42872-0139	A-42872-0139	04	26-60-9045	A-42872-0038
05	26-60-9053	A-42872-0005	05	42872-0123	A-42872-0123	05	42872-0140	A-42872-0140	05	26-60-9055	A-42872-0039
06	26-60-9063	A-42872-0006	06	42872-0124	A-42872-0124	06	42872-0141	A-42872-0141	06	26-60-9065	A-42872-0040
07	26-60-9073	A-42872-0007	07	42872-0125	A-42872-0125	07	42872-0142	A-42872-0142	07	26-60-9075	A-42872-0041
08	26-60-9083	A-42872-0008	08	42872-0126	A-42872-0126	08	42872-0143	A-42872-0143	08	26-60-9085	A-42872-0042
09	26-60-9093	A-42872-0009	09	42872-0127	A-42872-0127	09	42872-0144	A-42872-0144	09	26-60-9095	A-42872-0043
10	26-60-9103	A-42872-0010	10	42872-0128	A-42872-0128	10	42872-0145	A-42872-0145	10	26-60-9105	A-42872-0044
11	26-60-9113	A-42872-0011	11	42872-0129	A-42872-0129	11	42872-0146	A-42872-0146	11	26-60-9115	A-42872-0045
12	26-60-9123	A-42872-0012	12	42872-0130	A-42872-0130	12	42872-0147	A-42872-0147	12	26-60-9125	A-42872-0046
13	26-60-9133	A-42872-0013	13	42872-0131	A-42872-0131	13	42872-0148	A-42872-0148	13	26-60-9135	A-42872-0047
14	26-60-9143	A-42872-0014	14	42872-0132	A-42872-0132	14	42872-0149	A-42872-0149	14	26-60-9145	A-42872-0048
15	26-60-9153	A-42872-0015	15	42872-0133	A-42872-0133	15	42872-0150	A-42872-0150	15	26-60-9155	A-42872-0049
16	26-60-9163	A-42872-0016	16	42872-0134	A-42872-0134	16	42872-0151	A-42872-0151	16	26-60-9165	A-42872-0050
17	26-60-9173	A-42872-0017	17	42872-0135	A-42872-0135	17	42872-0152	A-42872-0152	17	26-60-9175	A-42872-0051
18	26-60-9183	A-42872-0018	18	42872-0136	A-42872-0136	18	42872-0153	A-42872-0153	18	26-60-9185	A-42872-0052

<b>H</b>	REV:	<u>ECR/ECN INFORMATION</u>	<u>TITLE:</u>	<b>FLAT HEADER ASSEMBLY                  (3.96)/.156 CENTERS, SQ                  BENT PINS, W/ PEGS</b>	<u>SHEET No.</u>
		EC No: <b>UCP2004-1145</b>			<b>- 2 -</b>
		DATE: <b>2006-08-11</b>			
<u>DOCUMENT NUMBER:</u> <b>SD-42872-001</b>		<u>CREATED / REVISED BY:</u> <b>PRIDDER</b>		<u>CHECKED BY:</u> <b>ADERR</b>	<u>APPROVED BY:</u> <b>FSMITH</b>

ENG. NO: A-42872-0154/0170			ENG. NO: A-42872-0171/0187			ENG. NO: A-42872-0019/0035			ENG. NO: A-42872-0053/0069		
HEADER NUMBER	41770-0036/0052		HEADER NUMBER	41770-0036/0052		HEADER NUMBER	41770-0036/0052		HEADER NUMBER	41770-0036/0052	
PIN NUMBER	43294-0524		PIN NUMBER	43294-0525		PIN NUMBER	2161-16(501)		PIN NUMBER	2161-52(501)	
PLATING	208		PLATING	228		PLATING	501		PLATING	501	
DIM. L	(26.92)/1.060		DIM. L	(26.92)/1.060		DIM. L	(25.40)/1.000		DIM. L	(27.00)/1.063	
DIM. X	(16.51)/.650		DIM. X	(16.51)/.650		DIM. X	(14.86)/.585		DIM. X	(16.51)/.650	
DIM. G (GOLD)	(8.77)/.345		DIM. G (GOLD)	(8.77)/.345		DIM. G (GOLD)	OVERALL		DIM. G (GOLD)	OVERALL	
DIM. Y	(4.95)/.195		DIM. Y	(4.95)/.195		DIM. Y	(4.95)/.195		DIM. Y	(4.95)/.195	
DIM. Z	(3.43)/.135		DIM. Z	(3.43)/.135		DIM. Z	(3.56)/.140		DIM. Z	(3.51)/.138	
DIM. T (TIN)	(5.08)/.200		DIM. T (TIN)	(5.08)/.200		DIM. T (TIN)	N/A		DIM. T (TIN)	N/A	
ANG. W	90°		ANG. W	90°		ANG. W	90°		ANG. W	90°	
VOID CKTS	NONE		VOID CKTS	NONE		VOID CKTS	NONE		VOID CKTS	NONE	
PACKAGING	PK-41772-002 (BULK)		PACKAGING	PK-41772-002 (BULK)		PACKAGING	PK-41772-002 (BULK)		PACKAGING	PK-41772-002 (BULK)	
CKTS	EDP NO.	ENG. NO.	CKTS	EDP NO.	ENG. NO.	CKTS	EDP NO.	ENG. NO.	CKTS	EDP NO.	ENG. NO.
02	42872-0154	A-42872-0154	02	42872-0171	A-42872-0171	02	26-60-9024	A-42872-0019	02	26-60-9026	A-42872-0053
03	42872-0155	A-42872-0155	03	42872-0172	A-42872-0172	03	26-60-9034	A-42872-0020	03	26-60-9036	A-42872-0054
04	42872-0156	A-42872-0156	04	42872-0173	A-42872-0173	04	26-60-9044	A-42872-0021	04	26-60-9046	A-42872-0055
05	42872-0157	A-42872-0157	05	42872-0174	A-42872-0174	05	26-60-9054	A-42872-0022	05	26-60-9056	A-42872-0056
06	42872-0158	A-42872-0158	06	42872-0175	A-42872-0175	06	26-60-9064	A-42872-0023	06	26-60-9066	A-42872-0057
07	42872-0159	A-42872-0159	07	42872-0176	A-42872-0176	07	26-60-9074	A-42872-0024	07	26-60-9076	A-42872-0058
08	42872-0160	A-42872-0160	08	42872-0177	A-42872-0177	08	26-60-9084	A-42872-0025	08	26-60-9086	A-42872-0059
09	42872-0161	A-42872-0161	09	42872-0178	A-42872-0178	09	26-60-9094	A-42872-0026	09	26-60-9096	A-42872-0060
10	42872-0162	A-42872-0162	10	42872-0179	A-42872-0179	10	26-60-9104	A-42872-0027	10	26-60-9106	A-42872-0061
11	42872-0163	A-42872-0163	11	42872-0180	A-42872-0180	11	26-60-9114	A-42872-0028	11	26-60-9116	A-42872-0062
12	42872-0164	A-42872-0164	12	42872-0181	A-42872-0181	12	26-60-9124	A-42872-0029	12	26-60-9126	A-42872-0063
13	42872-0165	A-42872-0165	13	42872-0182	A-42872-0182	13	26-60-9134	A-42872-0030	13	26-60-9136	A-42872-0064
14	42872-0166	A-42872-0166	14	42872-0183	A-42872-0183	14	26-60-9144	A-42872-0031	14	26-60-9146	A-42872-0065
15	42872-0167	A-42872-0167	15	42872-0184	A-42872-0184	15	26-60-9154	A-42872-0032	15	26-60-9156	A-42872-0066
16	42872-0168	A-42872-0168	16	42872-0185	A-42872-0185	16	26-60-9164	A-42872-0033	16	26-60-9166	A-42872-0067
17	42872-0169	A-42872-0169	17	42872-0186	A-42872-0186	17	26-60-9174	A-42872-0034	17	26-60-9176	A-42872-0068
18	42872-0170	A-42872-0170	18	42872-0187	A-42872-0187	18	26-60-9184	A-42872-0035	18	26-60-9186	A-42872-0069

REV:	ECR/ECN INFORMATION		TITLE:	FLAT HEADER ASSEMBLY (3.96)/.156 CENTERS, SQ BENT PINS, W/ PEGS	SHEET No.
	EC No:	UCP2004-1145			
<b>H</b>	DATE:	2006-08-11			- 3 -
DOCUMENT NUMBER:		CREATED / REVISED BY:	CHECKED BY:	APPROVED BY:	
<b>SD-42872-001</b>		<b>PRIDDER</b>	<b>ADERR</b>	<b>FSMITH</b>	

ITEM NO.: 42872-0070/0081		ITEM NO.: 42872-0082/0086		ITEM NO.: 42872-0087/0103		ITEM NO.: 42872-0104/0119	
HEADER NUMBER	41770-0036/0052	HEADER NUMBER	41770-0036/0052	HEADER NUMBER	41770-0036/0052	HEADER NUMBER	41770-0036/0052
PIN NUMBER	2161-16(102)	PIN NUMBER	2161-16(102)	PIN NUMBER	2161-62(102)	PIN NUMBER	2161-16(102)
PLATING	102	PLATING	102	PLATING	102	PLATING	102
DIM. L	(25.40)/1.000	DIM. L	(25.40)/1.000	DIM. L	(24.89)/.980	DIM. L	(25.40)/1.000
DIM. X	(14.86)/.585	DIM. X	(14.86)/.585	DIM. X	(14.86)/.585	DIM. X	(14.86)/.585
DIM. G (GOLD)	N/A	DIM. G (GOLD)	N/A	DIM. G (GOLD)	N/A	DIM. G (GOLD)	N/A
DIM. Y	(4.95)/.195	DIM. Y	(4.95)/.195	DIM. Y	(4.45)/.175	DIM. Y	(4.95)/.195
DIM. Z	(3.56)/.140	DIM. Z	(3.56)/.140	DIM. Z	(3.56)/.140	DIM. Z	(3.56)/.140
DIM. T (TIN)	OVERALL	DIM. T (TIN)	OVERALL	DIM. T (TIN)	OVERALL	DIM. T (TIN)	OVERALL
ANG. W	90°	ANG. W	90°	ANG. W	90°	ANG. W	90°
VOID CKTS	7	VOID CKTS	2,4,6,8,10,11,12,13,14	VOID CKTS	NONE	VOID CKTS	2
PACKAGING	PK-41772-002 (BULK)	PACKAGING	PK-41772-002 (BULK)	PACKAGING	PK-41772-002 (BULK)	PACKAGING	PK-41772-002 (BULK)
CKTS	ITEM NUMBER	CKTS	ITEM NUMBER	CKTS	ITEM NUMBER	CKTS	ITEM NUMBER
02		02		02	42872-0087	02	
03		03		03	42872-0088	03	42872-0104
04		04		04	42872-0089	04	42872-0105
05		05		05	42872-0090	05	42872-0106
06		06		06	42872-0091	06	42872-0107
07	42872-0070	07		07	42872-0092	07	42872-0108
08	42872-0071	08		08	42872-0093	08	42872-0109
09	42872-0072	09		09	42872-0094	09	42872-0110
10	42872-0073	10		10	42872-0095	10	42872-0111
11	42872-0074	11		11	42872-0096	11	42872-0112
12	42872-0075	12		12	42872-0097	12	42872-0113
13	42872-0076	13		13	42872-0098	13	42872-0114
14	42872-0077	14	42872-0082	14	42872-0099	14	42872-0115
15	42872-0078	15	42872-0083	15	42872-0100	15	42872-0116
16	42872-0079	16	42872-0084	16	42872-0101	16	42872-0117
17	42872-0080	17	42872-0085	17	42872-0102	17	42872-0118
18	42872-0081	18	42872-0086	18	42872-0103	18	42872-0119

REV:	ECR/ECN INFORMATION	TITLE:	<p align="center"><b>FLAT HEADER ASSEMBLY (3.96)/.156 CENTERS, SQ BENT PINS, W/ PEGS</b></p>	SHEET No.
<b>H</b>	EC No: <b>UCP2004-1145</b>			<b>- 4 -</b>
	DATE: <b>2006-08-11</b>			
DOCUMENT NUMBER:		CREATED / REVISED BY:	CHECKED BY:	APPROVED BY:
<b>SD-42872-001</b>		<b>PRIDDER</b>	<b>ADERR</b>	<b>FSMITH</b>

ITEM NO.: 42872-3001/3015		ITEM NO.:		ITEM NO.:		ITEM NO.:	
HEADER NUMBER	41770-0037/0052	HEADER NUMBER		HEADER NUMBER		HEADER NUMBER	
PIN NUMBER	2161-16(102)	PIN NUMBER		PIN NUMBER		PIN NUMBER	
PLATING	102	PLATING		PLATING		PLATING	
DIM. L	(25.40)/1.000	DIM. L		DIM. L		DIM. L	
DIM. X	(14.86)/.585	DIM. X		DIM. X		DIM. X	
DIM. G (GOLD)	N/A	DIM. G (GOLD)		DIM. G (GOLD)		DIM. G (GOLD)	
DIM. Y	(4.95)/.195	DIM. Y		DIM. Y		DIM. Y	
DIM. Z	(3.56)/.140	DIM. Z		DIM. Z		DIM. Z	
DIM. T (TIN)	OVERALL	DIM. T (TIN)		DIM. T (TIN)		DIM. T (TIN)	
ANG. W	90°	ANG. W		ANG. W		ANG. W	
VOID CKTS	4	VOID CKTS		VOID CKTS		VOID CKTS	
PACKAGING	PK-41772-002 (BULK)	PACKAGING		PACKAGING		PACKAGING	
CKTS	ITEM NUMBER	CKTS	ITEM NUMBER	CKTS	ITEM NUMBER	CKTS	ITEM NUMBER
02		02		02		02	
03		03		03		03	
04	42872-3001	04		04		04	
05	42872-3002	05		05		05	
06	42872-3003	06		06		06	
07	42872-3004	07		07		07	
08	42872-3005	08		08		08	
09	42872-3006	09		09		09	
10	42872-3007	10		10		10	
11	42872-3008	11		11		11	
12	42872-3009	12		12		12	
13	42872-3010	13		13		13	
14	42872-3011	14		14		14	
15	42872-3012	15		15		15	
16	42872-3013	16		16		16	
17	42872-3014	17		17		17	
18	42872-3015	18		18		18	

<b>H</b>	REV: <u>ECR/ECN INFORMATION</u>	<b>TITLE:</b> FLAT HEADER ASSEMBLY (3.96)/.156 CENTERS, SQ BENT PINS, W/ PEGS	<b>SHEET No.</b>  <b>- 5 -</b>
	EC No: <b>UCP2004-1145</b>		
	DATE: <b>2006-08-11</b>		
<b>DOCUMENT NUMBER:</b> <b>SD-42872-001</b>	<b>CREATED / REVISED BY:</b> <b>PRIDDER</b>	<b>CHECKED BY:</b> <b>ADERR</b>	<b>APPROVED BY:</b> <b>FSMITH</b>