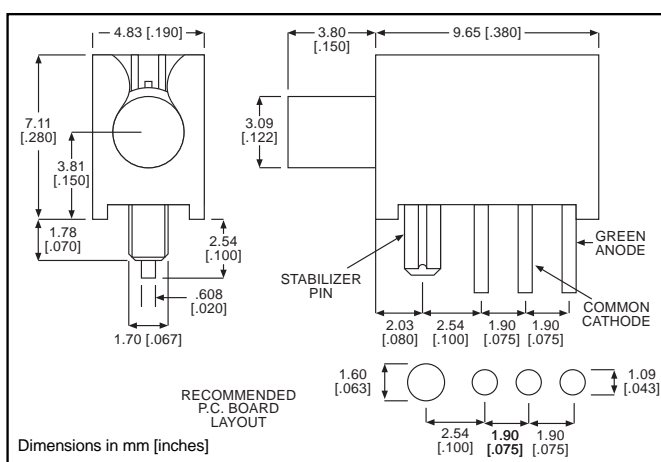


**3mm, Flat Top
LED CBI® Circuit Board Indicator
In-line, 3 Ledged Bi-Color**

Dialight

551-3508



PART NO.

551-3508

COLOR

Red/Green

Features

- Common Cathode simplifies design, and provides amber as a third color
- Locating pin provides stability during soldering
- Multiple CBIs form horizontal LED arrays on 4.2mm (0.1650") center-lines
- High Contrast, UL 94 V-0 rated, black housing
- Oxygen index: 31.5%
- Polymer content: PBT, 1.055 g
- Housing stand-offs facilitate PCB cleaning
- Solderability per MIL-STD-202F, method 208F
- LEDs are safe for direct viewing per IEC 825-1, EN-60825-1

Tolerance note: As noted, otherwise:

- LED Protrusion: ± 0.04 mm [± 0.016]
- CBI Housing: ± 0.02 mm [± 0.008]

Typical Operating Characteristics ($T_A=25^\circ\text{C}$)

See LED data sheet for additional information

See page 4-70 and 4-71 for Reference Only LED Drive Circuit Examples. See page 4-72 for Pin Out

Part Number	Color	Peak Wavelength nm	Iv mcd	V _F Volts	Test Current (mA)	LED Data sheet	Page #
551-3508	Red/Green	630/560	4/4	2/2.1	20	3TF-9484	4-69

4

3mm LED
Bi-Color
Non-Tinted, Diffused

Dialight

3TD-9664, 3TD-986x, 3TF-9484

*** NOT A VALID PART
NUMBER. THIS SHEET IS FOR
REFERENCE ONLY.**

<u>TYPE</u>	<u>COLOR</u>
*3TD-9664	Red/Green
*3TD-9868	Red/Green
*3TD-9869	Yellow/Green
*3TF-9484	Red/Green

4

ABSOLUTE MAXIMUM RATINGS ($T_A=25^\circ\text{C}$)	Red/Green -9664	Red/Green -9868	Yellow/Green -9869	Red/Green -9484
Power Dissipation (mW)	75/75	100/100	60/100	75/75
Forward Current (mA) Derating (mW/°C) From 25°C *Derating (mA/°C) From 50°C	.85/.85	30/30 .4*/.4*	20/30 .25*/.4*	30/30 .33*/.67*
Peak Current (mA) Pulse width 10µs	100/100	30/30	80/120	100/100
Operating Temperature (°C)	-30/+85	-55/+100	-55/+100	-30/+85
Storage Temperature (°C)	-30/+100	-55/+100	-55/+100	-30/+100
Soldering Temperature	260°C, 6 seconds, 1.6 mm from case (9484 only)			
	260°C, 5 seconds, 1.6 mm from case (except 9484)			

Solder Adherence per MIL-STD-202E, Method 208C

OPERATING CHARACTERISTICS ($T_A=25^\circ\text{C}$)		Red/Green -9664	Red/Green -9868	Yellow/Green -9869	Red/Green -9484
Luminous Intensity (mcd) $I_F=20\text{mA}$ * $I_F=10\text{mA}$	Min. Typical	4/6 8/12	2.5*/3.7* 4.7*/10*	2.5*/2.5* 4.3*/6.3*	2/2 4/4
Peak Wavelength (nm) λ Peak	Typical	630/560	635/565	585/565	630/560
Viewing Angle ($2\theta_{1/2}$)	Typical	80°	60°/60°	80°/80°	
Forward Voltage (V) $I_F=20\text{mA}$	Typical Max.	2/2.1 2.5/2.5	2/2.1 2.8/2.8	2.1/2.1 2.8/2.8	2/2.1 2.5/2.5
Reverse Voltage (V) $I_R=100\mu\text{A}$	Min.	5	5	5	5

θ^{\dagger} is the off axis angle at which the luminous intensity is half the axial luminous intensity