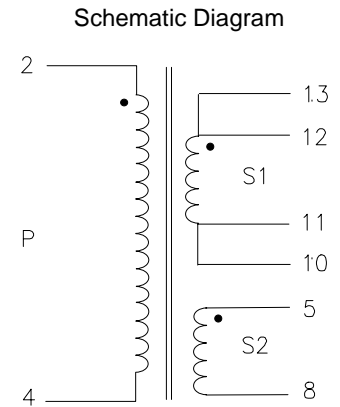


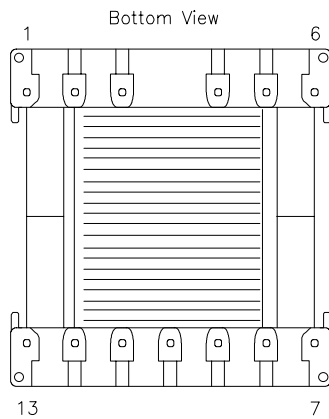
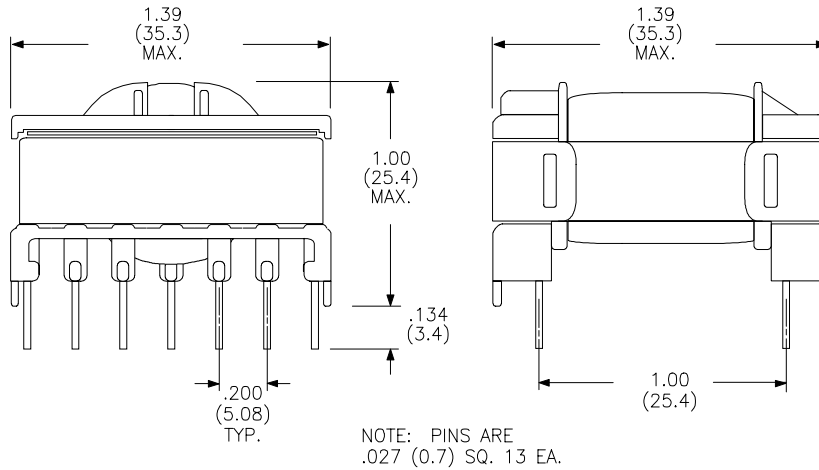
# Flyback Transformer (100 Watts)

PARAMETER			Units
Inductance <sup>(1)</sup>	Pins 2 - 4	8.3 ± 25%	mH
DC Resistance	Pins 2 - 4	0.25 Nominal	ohms
	Pins 13- 10	0.030 Nominal	ohms
	Pins 12 - 11	0.030 Nominal	ohms
	Pins 5 - 8	0.10 Nominal	ohms
Dielectric Rating	Pins 2 - 4 to all secondaries	1000	V <sub>DC</sub>



1. Tested at 10 kHz and 100 V<sub>RMS</sub>

**P1 = 62 Turns**  
**S1 = 16 Turns**  
**S2 = 13 Turns**



Physical Dimensions  
inches (mm)

RHOMBUS P/N: **T-871**

CUST P/N:

NAME:

DATE: **1/18/00**

SHEET: 1 of 1