

Features

- Intel® Atom™ D2550 Processor
- Intel® NM10 Express chipset
- Intel® GMA 3650 Integrated Graphic Engine
- COM x 4
- USB2.0 x 4
- Dual Gigabit Ethernet LAN
- VGA Output
- Fanless System Design



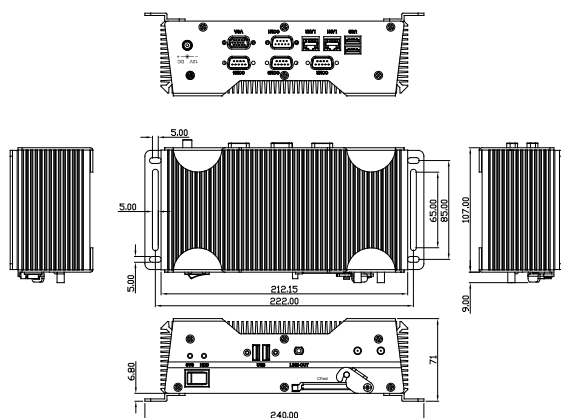
Specifications

CPU	Intel® Atom™ D2550 1.86GHz		
Chipset	Intel® NM10		
System Memory	DDR3 800/1066 SODIMM x 1, Max. 4GB		
Display Interface	VGA	DB-15 x 1 (optional 2nd VGA)	
	DVI	(Optional extension kit)	
	Others	—	
Storage Device	SSD	CFAST™ Slot x 1 (w/Cover protection)	
	HDD	2.5" SATA HDD bay x 1 (AEC-6613-A2/AEC6613-A2M)	
Network	LAN	Gigabit Ethernet, RJ-45 x 2	
	Wireless	Optional by mini-card	
Front I/O	USB Port	USB2.0 x 2	
	LAN	—	
	Serial Port	—	
	DIO	—	
	Audio	—	
	KB/MS	—	
	Others	Power ON/OFF Switch x 1, Power LED x 1, HDD LED x 1 CFAST™ slot x 1, antenna hole x 2	
	Rear I/O	USB Port	USB 2.0 x 2
		LAN	RJ-45 x 2
		Serial Port	RS-232 x 3 (optional extra 2), RS-232/422/485 x 1
DIO		—	
Audio		—	
KB/MS		—	
Expansion	Others	Power input x 1	
	PCIe [x1]	—	
	PCI	—	
	Mini Card	1	
	Mini PCI	—	
Indicator	Front	Power LED x 1, Hard Disk Drive active LED x 1	
	Rear	—	
Power Requirement	DC-in 12V, with DC jack lockable, DC 9 ~ 30V with 3-pin terminal block		
Power Consumption	—		
System Cooling	Passive		
Mounting	Wallmount		
Operating Temperature	Ambient with Airflow: 32°F ~ 131°F (0°C ~ 55°C) - (HDD) 32°F ~ 140°F (0°C ~ 60°C) - (CFAST™ Card)	No Airflow: 32°F ~ 122°F (0°C ~ 50°C) - (HDD) 32°F ~ 131°F (0°C ~ 55°C) - (CFAST™ Card)	
	Storage Temperature	-4°F ~ 158°F (-20°C ~ 70°C)	
Anti-Vibration	5g rms / 5 ~ 500Hz / operation – CFAST™ Card 1g rms / 5 ~ 500Hz / operation – HDD		
Anti-Shock	50 G peak acceleration (11 msec. duration) – CFAST™ Card 20 G peak acceleration (11 msec. duration) – HDD		
MTBF	—		

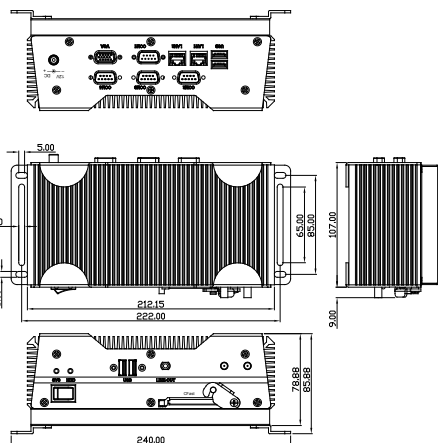
AEC-6613

Dimension

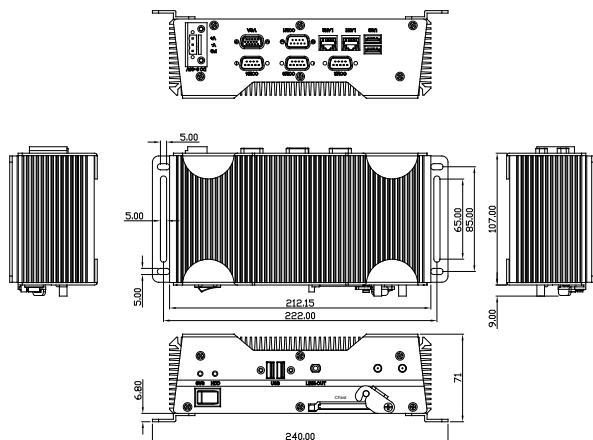
Unit: mm



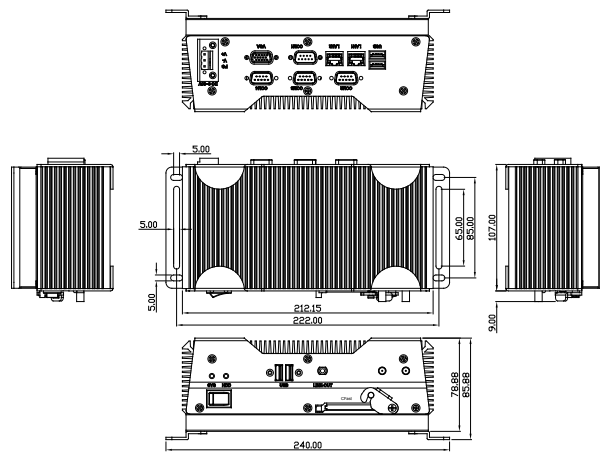
AEC-6613-A1



AEC-6613-A2



AEC-6613-A1M



AEC-6613-A2M

Certification	EMC Safety	CE /FCC Class A —
Dimension (W x H x D)	8.35" (W) x 3.1" (H) x 2.25" (D) (212.15mm x 78.88mm x 107mm)	
Gross Weight	8.38 lb (3.8 Kg)	
Net Weight	4.75 lb (2.76 Kg)	
Note	Windows® 7, Linux Fedora	

Ordering Information

- **TF-AEC-6613-A1-1010**
Embedded Controller, Intel® Atom™ D2700, 4 COM, 4 USB, 1 Mini Card, DC-in 12V
- **TF-AEC-6613-A2-1010**
Embedded Controller, Intel® Atom™ D2700, 4 COM, 4 USB, 1 Mini Card, DC-in 12V, SATA HDD Kit
- **TF-AEC-6613-A1M-1010**
Embedded Controller, Intel® Atom™ D2700, 4 COM, 4 USB, 1 Mini Card, DC-in 9-30V
- **TF-AEC-6613-A2M-1010**
Embedded Controller, Intel® Atom™ D2700, 4 COM, 4 USB, 1 Mini Card, DC-in 9-30V, SATA HDD Kit

Optional Accessories

- **1757306004 - DC Jack for 6613-A1/A2**
Power Adapter, 100/240V, 12V, w/ lockable Connector, 5A, 60W, DC
- **1757908401 - 3 pin for 6613-A1M/A2M**
Power Adapter, 84W, 12V
- **1702031802**
Power Cord (US Type)
- **1702031803**
Power Cord (European Type)
- **170203180E**
Power Cord (Japanese Type)
- **9741681003**
Din Rail Mount Kit