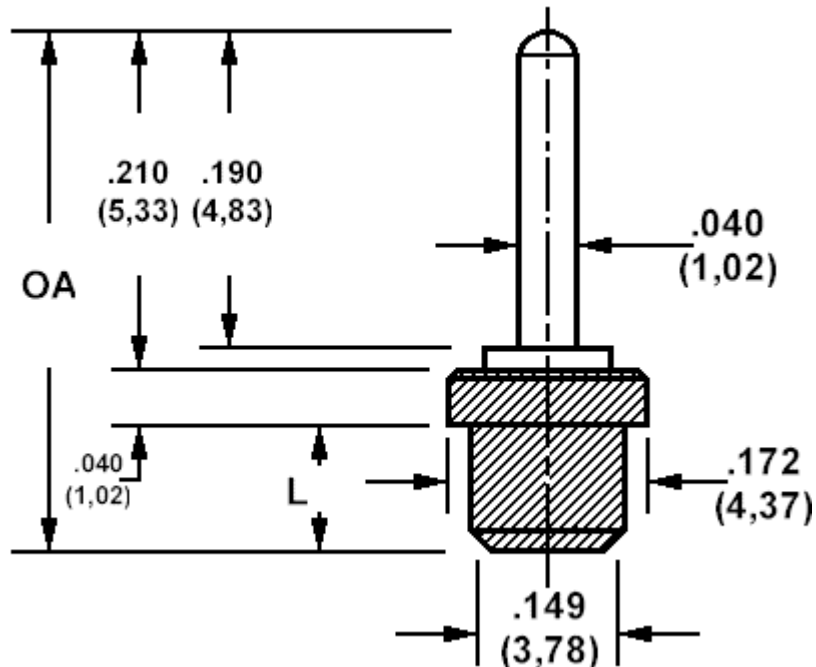


571-4029 Insulated solder terminal, Pin type

Recommended mounting hole .136 (3,45)



How to order code

571-4029-XX-YY-19

Basic Part No (XX = Panel thickness, YY = plating finish. See tables for options)

Basic Part No.		OA(ref)	L	Panel Thickness (XX)
571-4029	-01	.350 (8,89)	.100 (2,54)	.031 (0,79) to .062 (1,59)
	-02	.375 (9,53)	.125 (3,18)	.031 (0,79) to .085 (2,16)
	-03	.415 (10,54)	.165 (4,19)	.031 (0,79) to .125 (3,18)
	-04	.500 (12,70)	.250 (6,35)	.031 (0,79) to .210 (5,33)

Component	Material	Finish (YY)		
		-01	-04	-05
Terminal	Brass	Silver	Electro Tin	Electro Solder
Insulator	Teflon - white			

Additional Specifications	Panel thickness			
	-01	-02	-03	-04
Flashover VRMS at Sea Level	3000	3000	3000	3000
Capacitance (pF)	.05	.05	.05	.05

Teflon is a registered trademark of Dupont