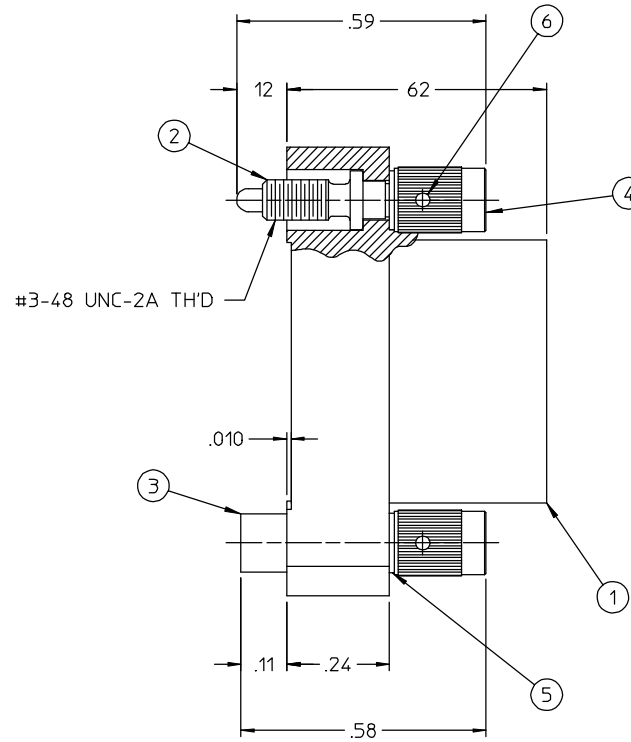
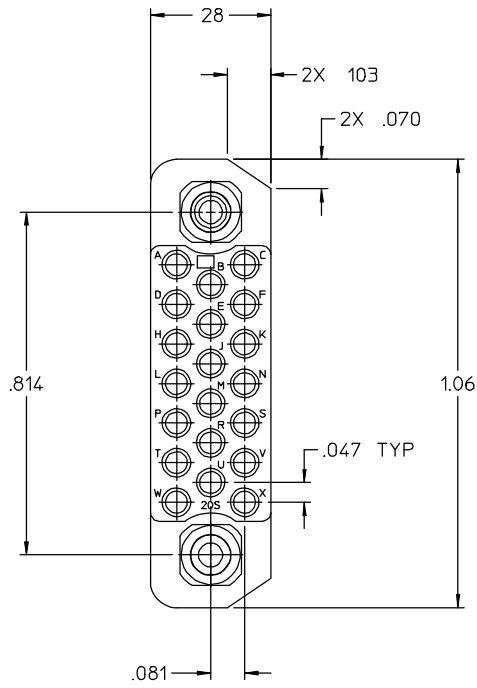


REV	DESCRIPTION	BY DATE	APPD
B	CHANGED CHAMFER ECR# 2387 DONNA	05/29/92 VBH/ECM	05/29/92 VBH



ITEMS:

- ① MOLDING, FEMALE - DIALLYL ISOPHTHALATE.
- ② JACKSCREW - STAINLESS STEEL,
PASSIVATING DIP.
- ③ JACKSOCKET - STAINLESS STEEL,
PASSIVATING DIP.
- ④ KNOB - STAINLESS STEEL,
PASSIVATING DIP.
- ⑤ THRUST WASHER - STAINLESS STEEL,
PASSIVATING DIP.
- ⑥ GROOVE PIN - CHROME VANADIUM STEEL,
CADMIUM PLATE.

CATALOG No SREC 20SJTW 4916 SHOWN

PER ANSI Y14.5M-1982 UNLESS OTHERWISE SPECIFIED: DIMENSIONS ARE IN INCHES. OR INCHES / MM		Litton Winchester Electronics 400 PARK ROAD WATERTOWN, CONNECTICUT 06795	
TOLERANCES DECIMALS XX ± .015 XXX ± .005 ANGLES * SCALE:		TITLE SREC 20S CONNECTOR	
CUSTOMER DRAWING			
DRANN VBH	DATE CHECKED 06/06/91	DATE 06/21/91	REV. B
APPROVED VB HARRIS 7/17/91	DATE APPROVED T. LEUBA 7/19/91	C 26174	SHT. 1 OF 1