

Pulse Transformer

Turns Ratio ($\pm 5\%$) 4 : 1 : 1

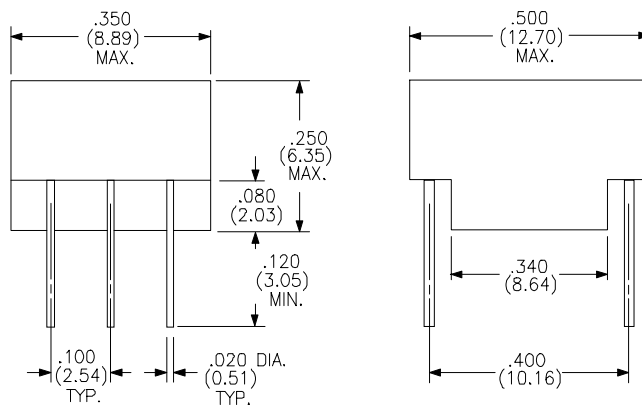
Flammability: Materials used in the production of these units meet requirements of UL94-VO and IEC 695-2-2 needle flame test.

Parts shipped in anti-static tubes. 50 pieces per tube

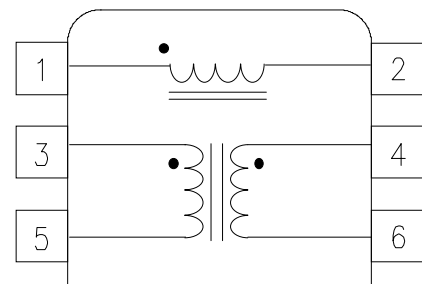
Electrical Specifications @ 25°C

| PARAMETER | MIN. | MAX. | UNITS |
|--|--------|------|-----------|
| Open Circuit Inductance 20mV, @ 10.0 KHz (Pins 1-2) | 0.8 | | mH |
| Leakage Inductance 20mV, @ 100.0 KHz (Pins 1-2 short Pins 3, 4, 5, 6) | | 2.0 | μ H |
| Interwinding Capacitance ($C_{w/w}$) 20 mV, @ 100.0 KHz (Pins 1-2 to 4-5) | | 8 | pF |
| Primary DC Resistance (Pins 1-2) | | 0.30 | ohms |
| Secondary DC Resistance (3-5 or 4-6) | | 0.15 | ohms |
| Isolation (HI-POT) | 1.5 Kv | | V_{RMS} |

PHYSICAL DIMENSIONS inches (mm)



SCHEMATIC DIAGRAM



Primary Pins 1-2

Rhombus P/N: **T-704**

Cust. P/N:

Name:

Date: **1/19/99**

Sheet: 1 of 1