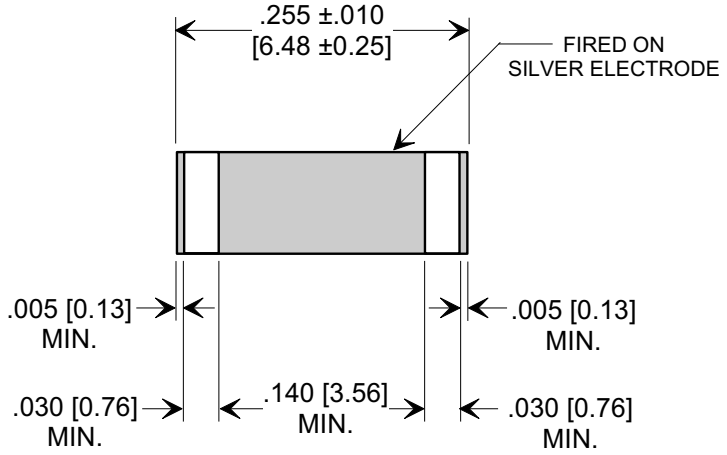
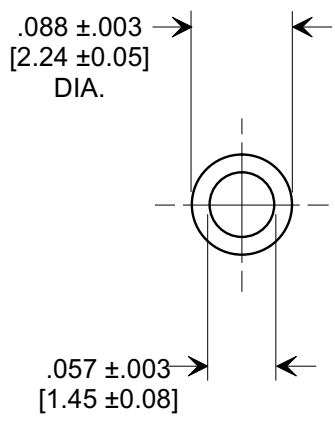
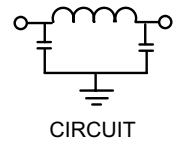
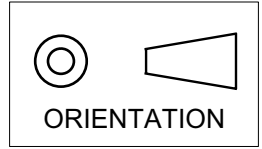


MARKETING SALES DRAWING
DIMENSIONS IN INCHES - DO NOT SCALE THIS DRAWING
DIMENSIONS IN METRIC - []

Electrical Testing
per Tusonix standard
test plans and Mil-Std-202
Test Methods.



SEE NOTE # 1

SEE NOTE # 1

NOTES:

- INSULATION BANDS COATED WITH BLACK EPOXY PAINT

4000 -0% + 100%	100 V	707 VDC 5 SEC. MIN.	10 GΩ
CAP. 25°C (pF)	WORKING VOLTAGE DC -55°C TO 85°C	DIELECTRIC WITHSTANDING VOLTAGE	INSULATION RESISTANCE MIN. @ 100V

X-2015 Rev-0 REVISION RECORD Original Release C.O. WAS SK 8188-059. L.E. 03-11-04 20040311-1-03 REVISED WORKING VOLTAGE. S.M. 08-30-04 20040827-3-05	0	1	--TOLERANCES-- Unless Otherwise Specified		Title CERAMIC TUBULAR FILTER		
	DECIMAL ± NOTED						
	ANGLES ±		Drawn	L. E. 03-03-04	Scale	6 X	
	TUSONIX TUCSON, ARIZONA		Approved	T. C. 03-03-04	A 4103-029		