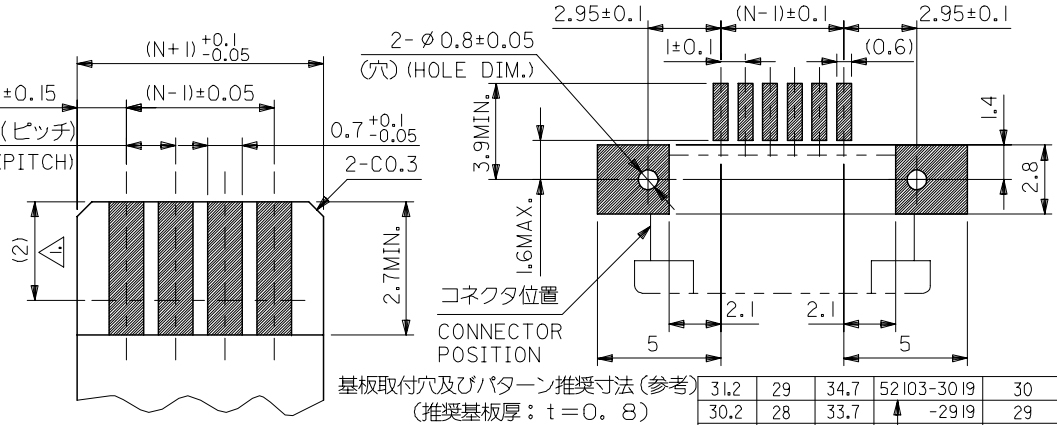
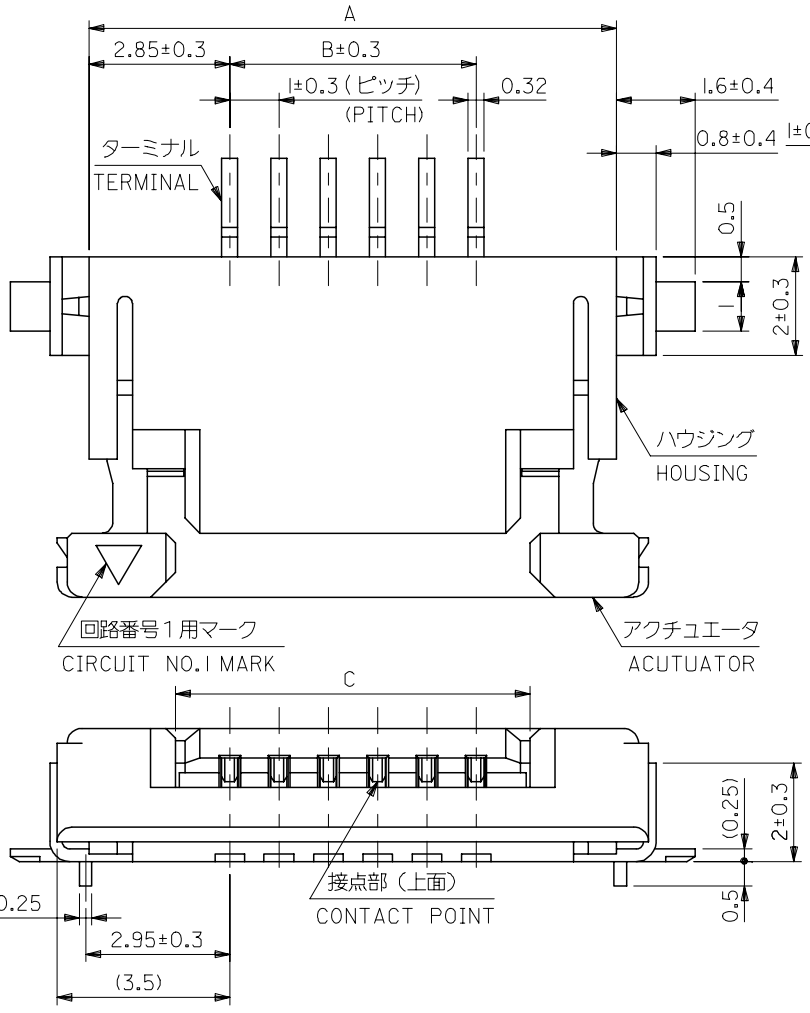


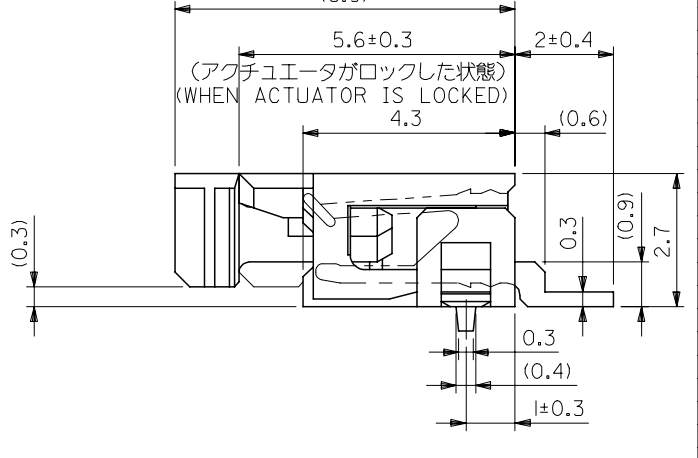
10 9 8 7 6 5 4 3 2 1



RECOMMENDED DIM. FOR P.C.BOARD MOUNTING HOLES AND PATTERN (RECOMMENDED THK OF P.C.BOARD t=0.8)

RECOMMENDED APPLICABLE FPC LAYOUT (6.9)

31.2	29	34.7	52103-3019	30
30.2	28	33.7	-2919	29
29.2	27	32.7	-2819	28
28.2	26	31.7	-2719	27
27.2	25	30.7	-2619	26
26.2	24	29.7	-2519	25
25.2	23	28.7	-2419	24
24.2	22	27.7	-2319	23
23.2	21	26.7	-2219	22
22.2	20	25.7	-2119	21
21.2	19	24.7	-2019	20
20.2	18	23.7	-1919	19
19.2	17	22.7	-1819	18
18.2	16	21.7	-1719	17
17.2	15	20.7	-1619	16
16.2	14	19.7	-1519	15
15.2	13	18.7	-1419	14
14.2	12	17.7	-1319	13
13.2	11	16.7	-1219	12
12.2	10	15.7	-1119	11
11.2	9	14.7	-1019	10
10.2	8	13.7	-0919	9
9.2	7	12.7	-0819	8
8.2	6	11.7	-0719	7
7.2	5	10.7	-0619	6
6.2	4	9.7	-0519	5
5.2	3	8.7	-0419	4
4.2	2	7.7	52103-0319	3
C	B	A	MATERIAL NO.	CIRCUIT
52103-***19			MODEL NO.	



注記) NOTES

△ 接点部までの嵌合長さ。 LENGTH TO CONTACT POINT.

2. 使用材料 MATERIAL
 ハウジング: 46NYLON, UL94V-0
 HOUSING: 46NYLON, UL94V-0
 アクチュエータ: PPS, UL94V-0
 ACTUATOR: PPS, UL94V-0
 ターミナル: リン青銅、ニッケル下地鍍ピスマスメッキ (t=0.32)
 TERMINAL: PHOS-BRO, TIN-BISMUTH OVER NICKEL PLATED (t=0.32)
 金具: リン青銅、鍍メッキ (t=0.25)
 FITTING NAIL: PHOS-BRO, PRE-TIN PLATED (t=0.25)

△ 位置決め及びパターンはくり止め用金具。 FITTING NAIL FOR POSITIONING AND BY WAY OF PREVENTION OF PEELING OFF PCB PATTERN.

4. 本製品は 52103-***17 の鉛フリー品である。 THIS PRODUCT IS LEAD FREE OF 52103-***17.

REVISED EC NO: J2005-1179 DRAWN: MNABE1 CHKD: KTOJO APPR: NUKITA 2004/10/26 2004/10/26 2004/11/08	GENERAL TOLERANCES (UNLESS SPECIFIED)		DIMENSION STYLE	SCALE	DESIGN UNITS	THIRD ANGLE PROJECTION
	10 UNDER ±0.2		MM ONLY	10:1	METRIC	
	10 OVER 30 UNDER ±0.25		APPROVED BY	DATE	TITLE	1.0 FPC CONN. ZIF SMT -LEAD FREE- MOLEX INCORPORATED
	30 OVER ±0.3		MSASAO	'04/05/19	SD-52103-002	
ANGULAR ±3 °		MATERIAL NO.	DOCUMENT NO.	SHEET NO.	1 OF 1	
DRAFT WHERE APPLICABLE MUST REMAIN WITHIN DIMENSIONS		SEE CAHRT	SD-52103-002	1 OF 1		
THIS DRAWING CONTAINS INFORMATION THAT IS PROPRIETARY TO MOLEX INCORPORATED AND SHOULD NOT BE USED WITHOUT WRITTEN PERMISSION						