

Features

- 15.6" WXGA (1366 x 768) Fanless TFT LCD Display
- Supports Remote Display Technology
- Easy-To-Clean: Multi-Touch Window Design (Two-Point)
- IP-65 Front Bezel & IPx1 Back Chassis
- Anti-Scratch Surface (7H Hardness)



Specifications

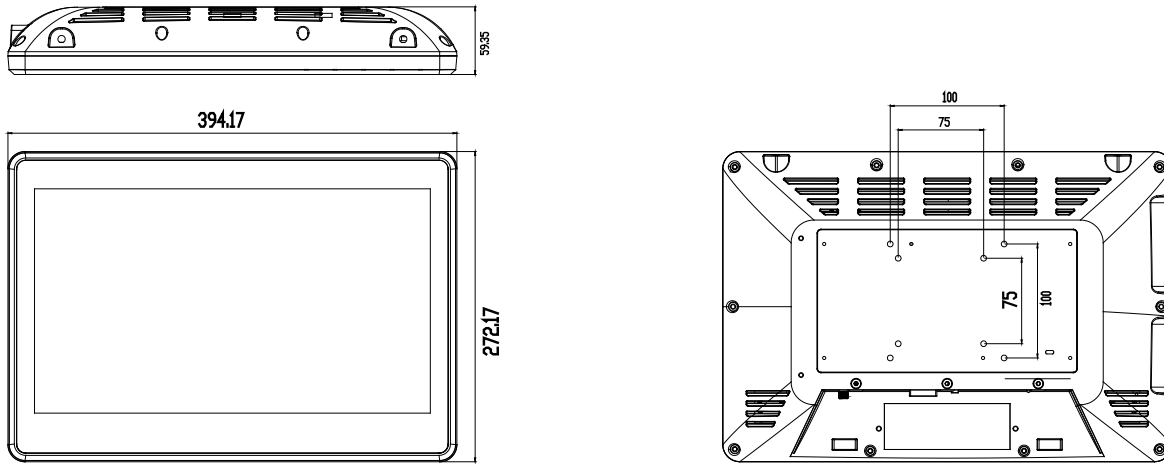
System	
Input Signal	VGA/ DVI
On Screen Display Control	Menu, Auto, LCD On/Off, Up, Down
I/O connector	USB x 3 (2 on front, 1 on rear), LAN x 2, Line-out x 1, 2W speaker x 2
OS support	Windows® XP (T/S: Single point), Linux Fedora (T/S: Single point), Windows® 7 (T/S: Multi-point)
Mechanical	
Construction	IP-65/ NEMA4 for plastic front bezel, IPx 1 for plastic chassis
Mounting	VESA 75/100
Dimension	15.51" x 10.71" x 2.44" (394mm x 272mm x 62mm)
Carton Dimension	20.47" x 18.5" x 9.06" (520mm x 470mm x 230mm)
Gross Weight	12.98 lb (5.9 kg)
Net Weight	9.24 lb (4.2 kg)
Environmental	
Operating Temperature	32°F ~ 104°F (0°C ~ 40°C)
Storage Temperature	-4°F ~ 140°F (-20°C ~ 60°C)
Storage Humidity	10%~95% @ 40°C; non-condensing
Vibration	1 g rms/ 5~500Hz /Random operation
Shock	15 G peak acceleration (11 msec. Duration)
EMC	CE/FCC Class A
Power Supply	
DC input	DC 12V, w/ AC power adapter w/ lock
LCD	
Display type	15.6" TFT-LCD, CCFL
Max Resolution	1366x768
Max. Colors	16.7M colors (6/8-bit for R,G,B)
Luminance	300 cd/m ²
Viewing Angle	170°(H)/160°(V)
Back Light	CCFL
Back Light MTBF (hours)	50,000
Touchscreen	
Type	Projected Capacitive Multi-Touch (Window® 7)
Light Transmission	90%

Note: Users have to select ACG-203 to work with the ACD-515R.

ACD-515R

Dimension

Unit: mm



Ordering Information

- **ACD-515RHT-A1-1010**
15.6" Infotainment Display with Remote Technology (No T/S)
- **ACD-515RHHT-A2-1010**
15.6" Infotainment Touch Display with Remote Display Technology, Two Front USB Ports, Projected Capacitive T/S

Optional Accessories

- TBD