



Inductorless, Dual Output Off-Line Regulators

Features

- Accepts peak input voltages up to 700V
- Operates directly off of rectified 120V AC or 240V AC
- Integrated linear regulator
- Minimal power dissipation
- No high voltage capacitors required
- No transformers or inductors required

Applications

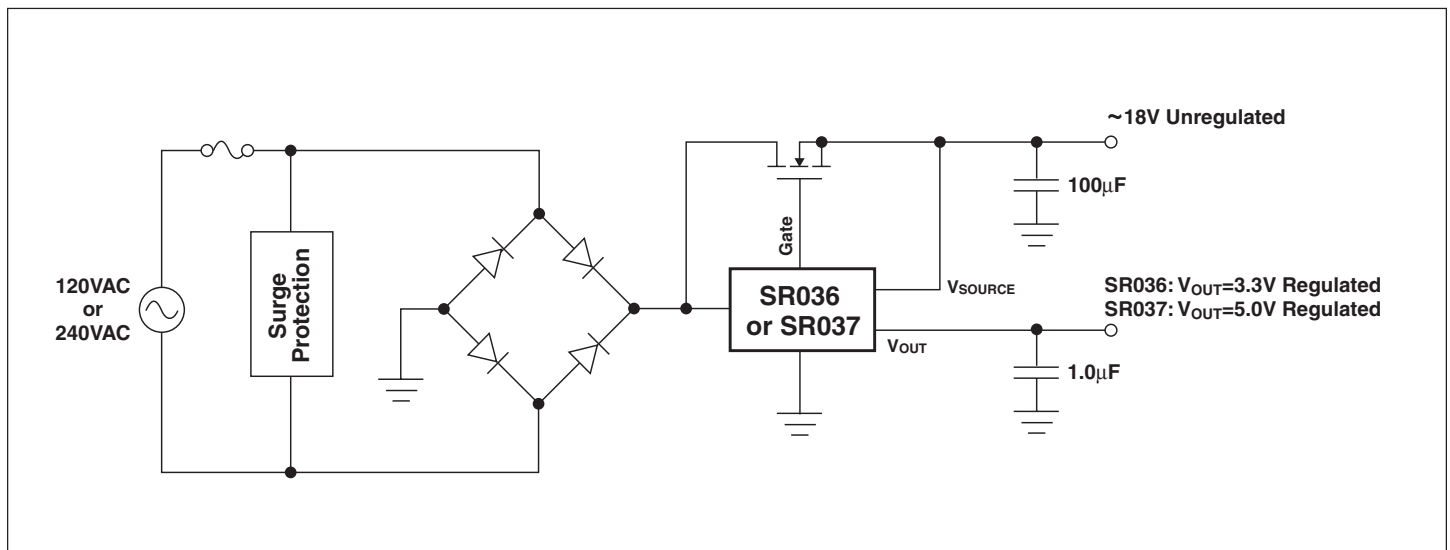
- 3.3V or 5.0V power supplies
- SMPS house keeping power supplies
- White goods
- Appliances
- Small off-line low voltage power supplies
- Lighting controls

General Description

The Supertex SR036 and SR037 are inductorless, dual output off-line controllers. They do not require any transformers, inductors, or high voltage input capacitors. The input voltage, HV_{IN} , is designed to operate from an unfiltered full wave rectified 120V or 240V AC line. It is designed to control an external N-channel MOSFET. When HV_{IN} is between $V_{GS(th)}$ to 40V, where $V_{GS(th)}$ is the threshold voltage of the external MOSFET, the external N-channel MOSFET is turned on allowing it to charge an external capacitor connected to V_{SOURCE} . An unregulated DC voltage will develop on V_{SOURCE} . Once HV_{IN} is above 45V, the N-channel MOSFET is turned off. The maximum gate voltage for the external MOSFET is 24V. The unregulated voltage is approximately 18V. The SR036 also provides a regulated 3.3V whereas the SR037 provides a regulated 5.0V.

WARNING!!! Galvanic isolation is not provided. Dangerous voltages are present when connected to the AC line. It is the responsibility of the designer to assure adequate safeguards are in place to protect the end user from electrical shock.

SR03x Typical Application Circuit



Ordering Information

HV _{IN} Maximum Voltage	Gate Voltage (max)	V _{OUT}	Package Options	
			MSOP-8	SO-8 w/ Heat Slug
700V	24V	3.3V	SR036MG*	SR036SG
		5.0V	SR037MG*	SR037SG

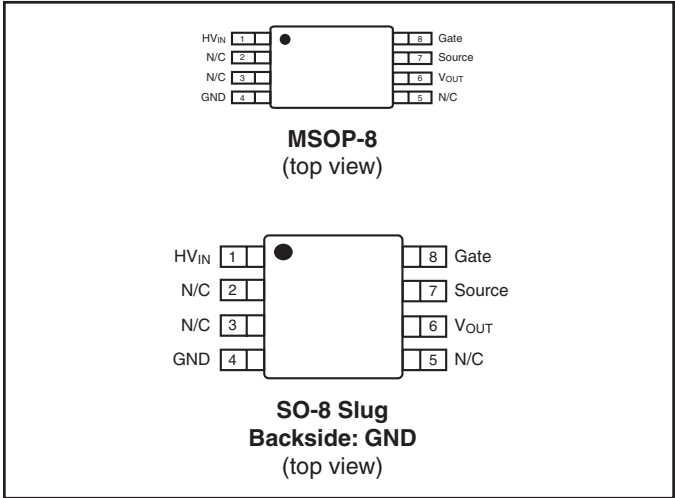
* Product supplied on 2500 piece carrier tape reel.

Absolute Maximum Ratings*

V _{IN} , High Voltage Input	+700V
V _{OUT} , Low Voltage Output	+6.0V
Storage Temperature	-65°C to +150°C
Soldering Temperature	+300°C
Power Dissipation, MSOP-8	300mW
Power Dissipation, SO-8 slug	1.50W

* All voltages are referenced to GND.

Pin Configuration

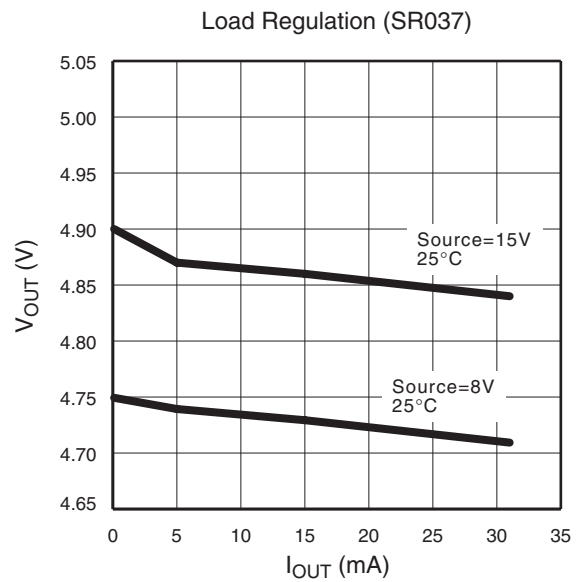
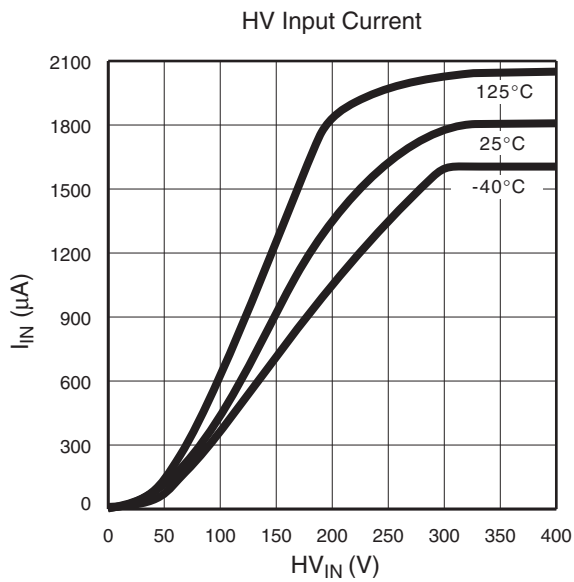
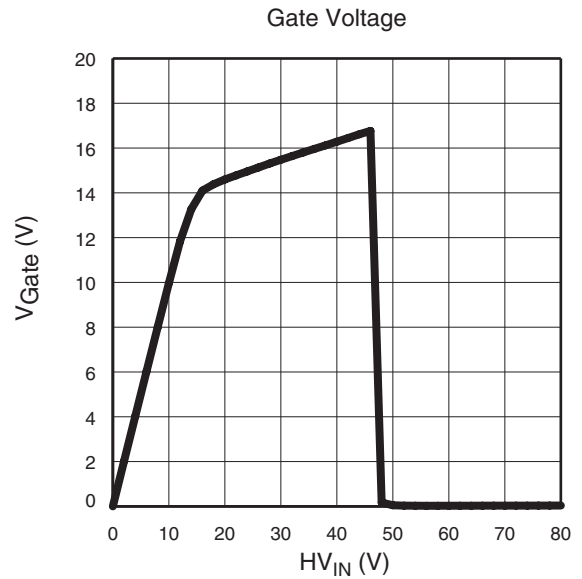
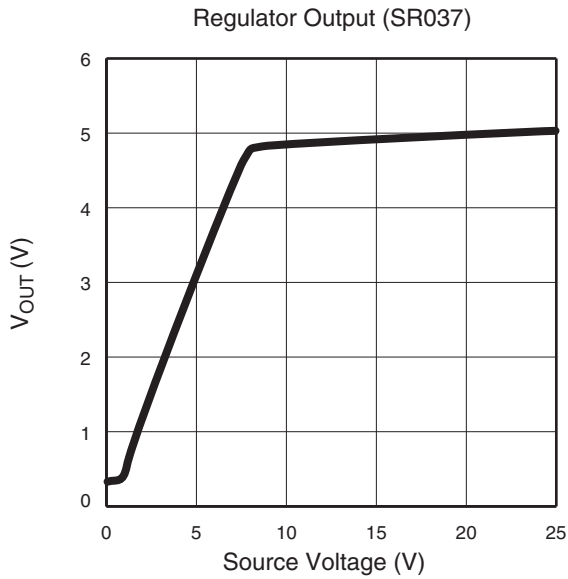
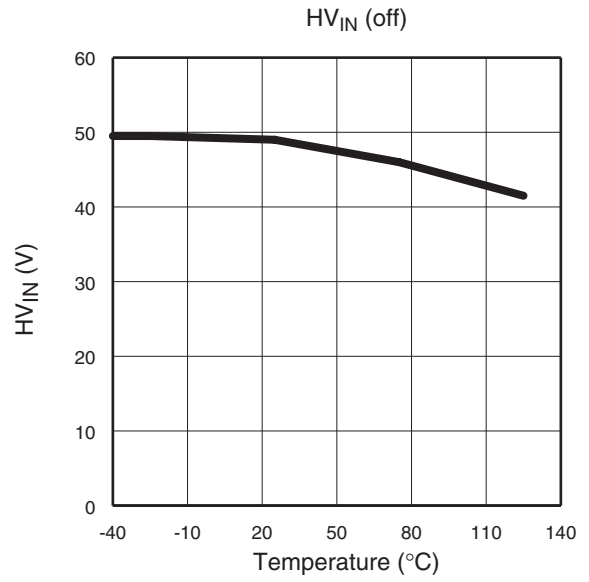
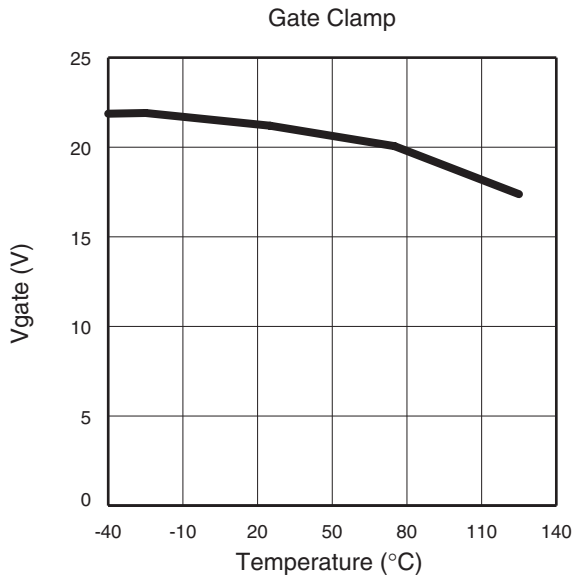


Electrical Characteristics

(Over operating supply voltages unless otherwise specified, T_A=0°C to +125°C)

Symbol	Parameter	Min	Typ	Max	Units	Conditions	
HV _{IN}	Input voltage			700	V	Peak transient voltage	
				407		Peak rectified AC voltage	
V _{TH}	HV _{IN} voltage when Gate is pulled to ground	40	45	50	V		
V _{GS}	Gate to source clamp voltage	±10	±15	±20	V	I _{GS} = ±100µA	
V _{GATE}	Gate to ground clamp voltage	18	20	24	V		
V _{OUT}	Regulated output voltage for the MSOP-8	SR036	2.97	3.30	3.63	V	V _{SOURCE} = 10V, I _{OUT} = 15mA
		SR037	4.50	5.00	5.50		V _{SOURCE} = 10V, I _{OUT} = 15mA
V _{OUT}	Regulated output voltage for the SO-8 with heat slug	SR036	2.97	3.30	3.63	V	V _{SOURCE} = 10V, I _{OUT} = 30mA
		SR037	4.5	5.00	5.50		V _{SOURCE} = 10V, I _{OUT} = 30mA
Freq	Input AC frequency	40		100	Hz		

Typical Performance Curves

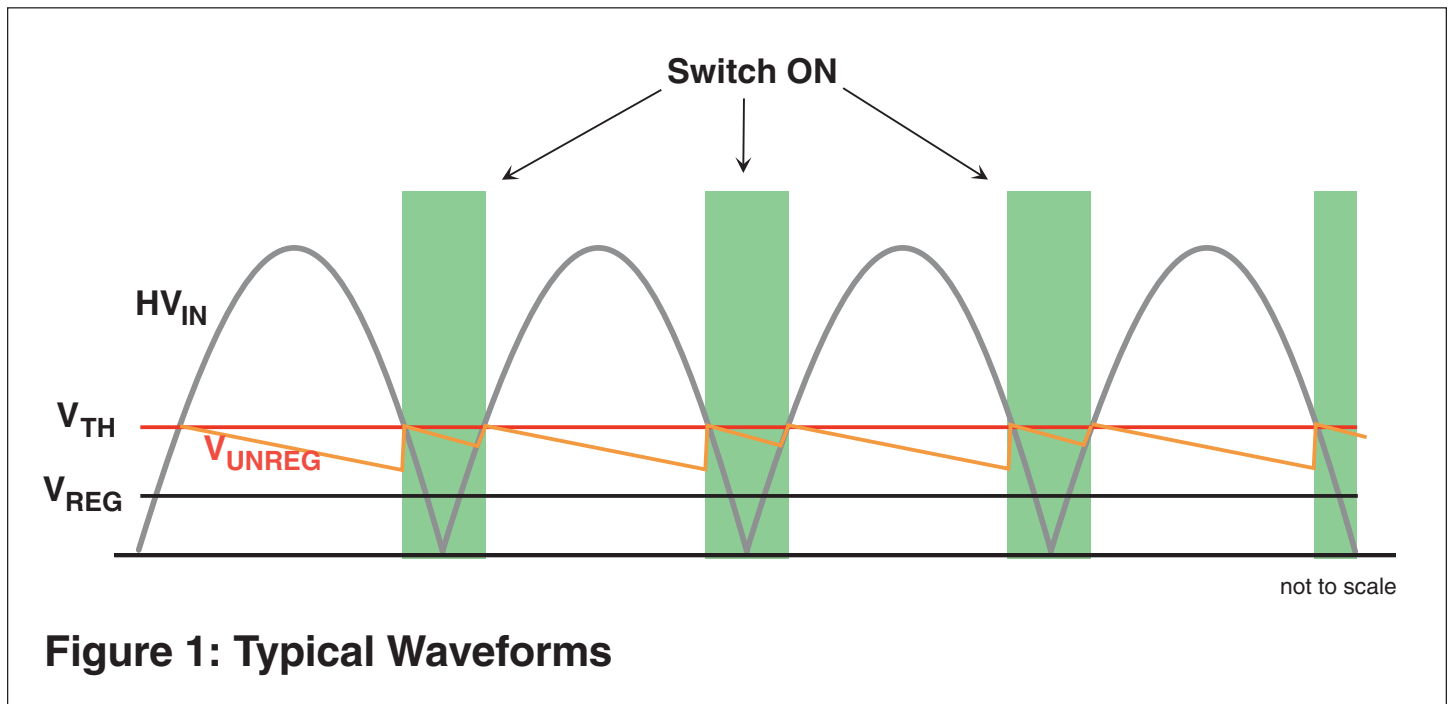
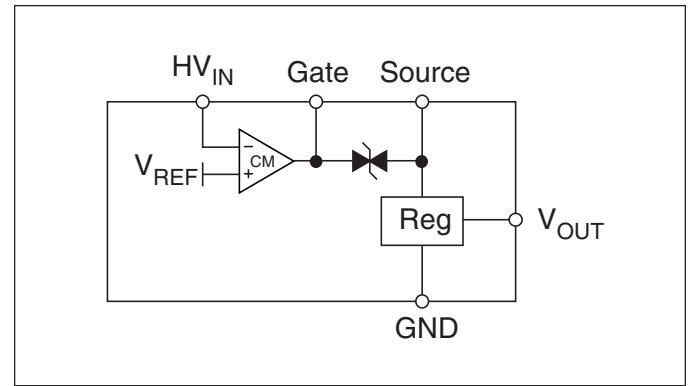


Applications Information

Operating Principle

The SR03x operates by controlling the conduction angle of the external MOSFET as shown in Figure 1. When the rectified AC voltage is below the V_{TH} threshold, the pass transistor is turned on. The pass transistor is turned off when the rectified AC is above $HV_{IN(off)}$. Output voltage (V_{unreg}) decays during the periods when the switch is off and when the rectified AC is below the output voltage. The amount of decay is determined by the load and the value of C1. Since the switch only conducts with low voltages across it, power dissipation is minimized.

Functional Block Diagram



Applications Information, continued

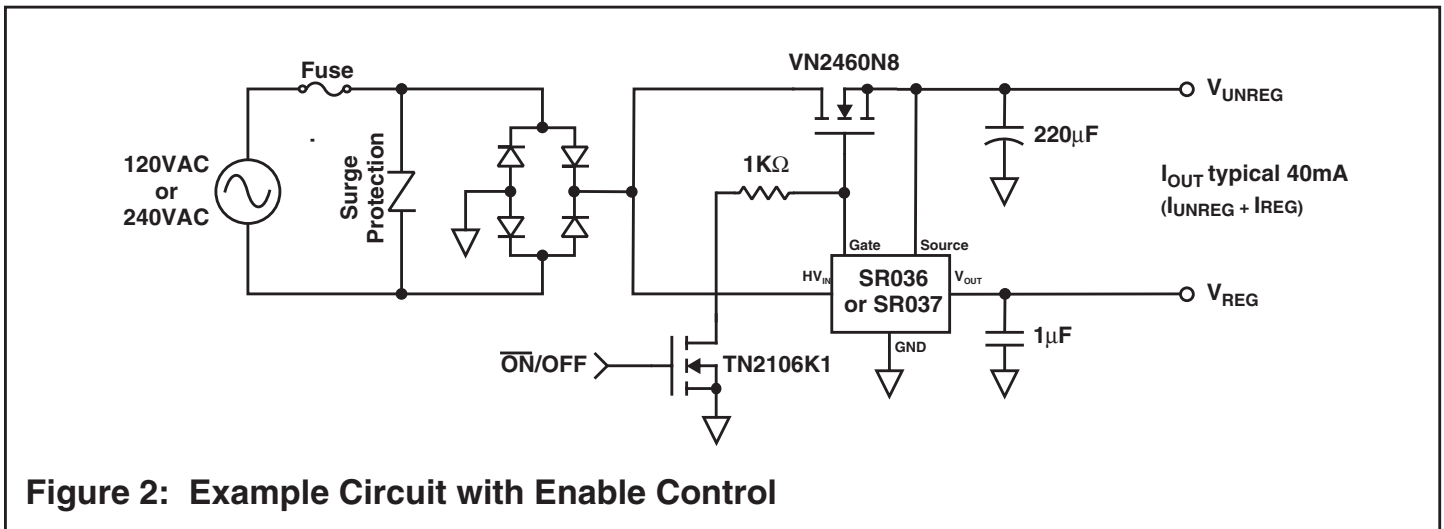
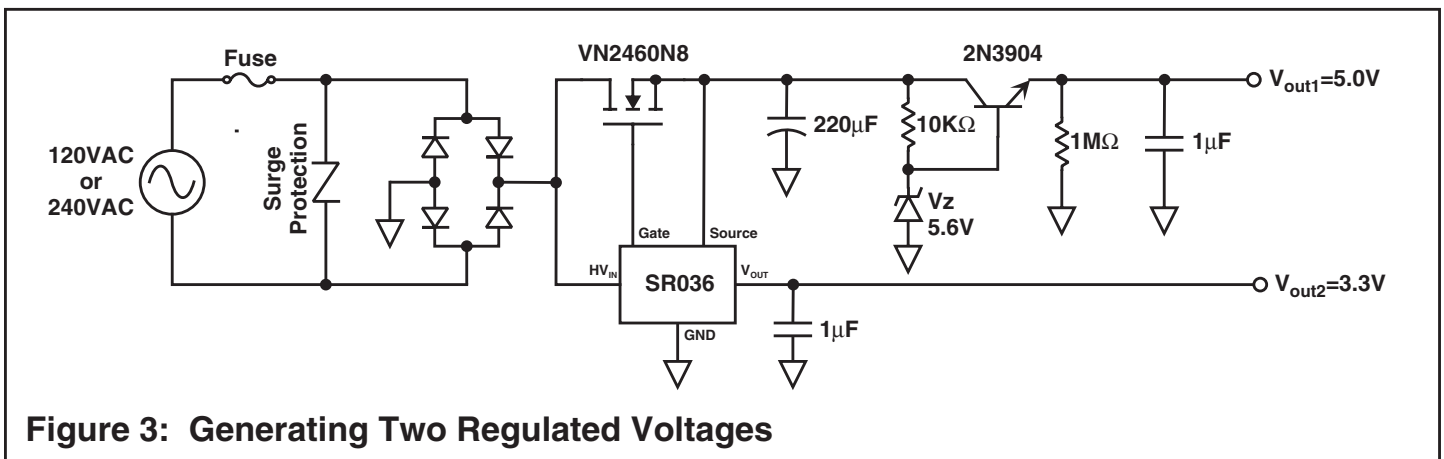


Figure 2 is an example circuit using the SR036 or SR037 along with a Supertex VN2460N8 MOSFET to generate an unregulated voltage of approximately 18V and a regulated voltage of 3.3V for the SR036 or 5.0V for the SR037. The combined total

output current is typically 40mA. The TN2106K1 in series with a 1KΩ resistor can be added for applications requiring an enable control.



For applications requiring two regulated voltages, an inexpensive discrete linear regulator can be added to regulate the unregulated output as show in Figure 3. The discrete linear regulator consists of a Zener diode, a resistor and a bipolar transistor. The regulated voltage, V_{out1} , is determined by the

Zener diode voltage minus the base-to-emitter voltage drop of 0.6V. Figure 3 uses a 5.6V Zener diode to obtain a 5.0V output. Different Zener diode voltages can be used to obtain different regulated output voltages.

Applications Information, continued

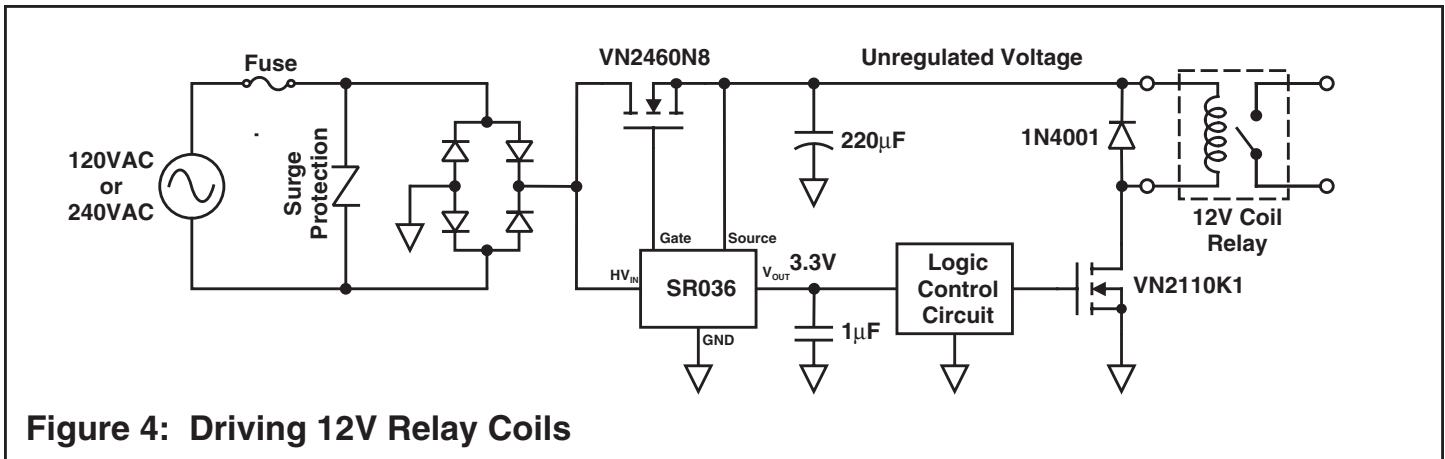


Figure 4: Driving 12V Relay Coils

The circuit shown in Figure 4 uses the SR036 to supply a regulated 3.3V for the logic control circuitry while the unregulated voltage is used to drive a 12V relay coil. The operating voltage for a 12V relay coil is typically very wide and can therefore operate directly from the unregulated line.

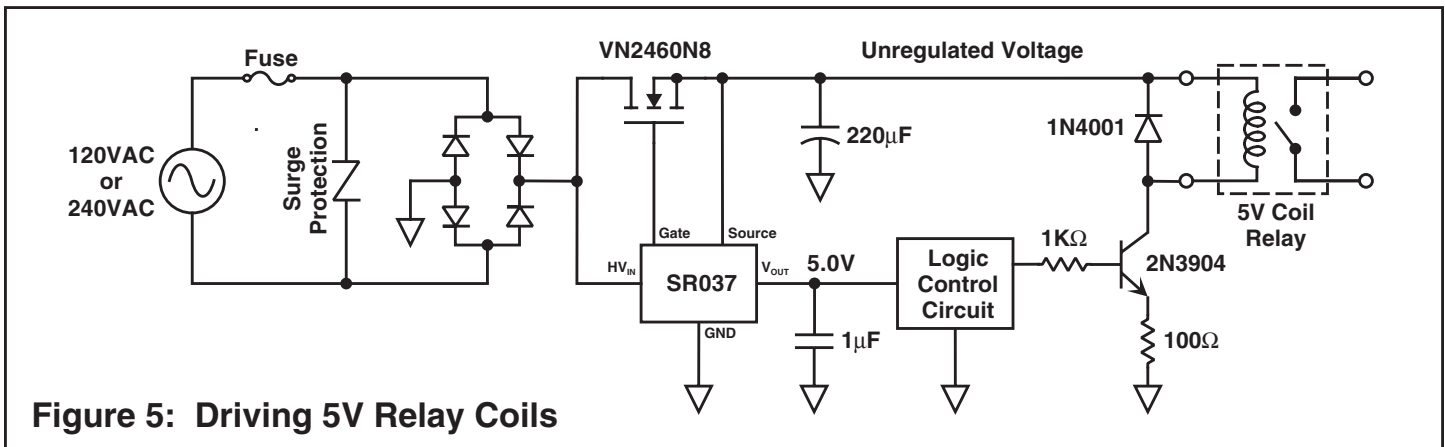


Figure 5: Driving 5V Relay Coils

The circuit shown in Figure 5 uses the SR037 to supply a regulated 5.0V for the logic control circuitry while the unregulated voltage is used to drive a 5.0V coil relay. To overcome the voltage variation of the unregulated line, a bipolar transistor is

used to drive the coil with a constant current. The resistor value from the emitter to ground sets the desired coil current. For an arbitrary coil current of 40mA, the resistor value can be calculated as:

$$R = \frac{5.0V - \frac{40mA}{\beta} (1K\Omega - V_{be})}{40mA}, \text{ where } V_{be} = 0.6V \text{ and } \beta = 100$$

$$= 100\Omega$$

Applications Information, continued

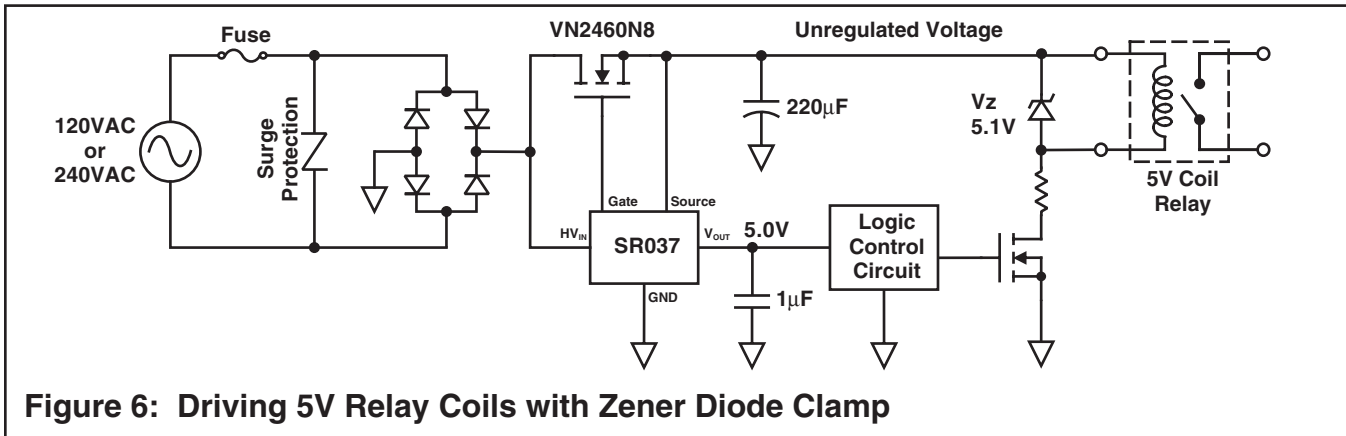


Figure 6: Driving 5V Relay Coils with Zener Diode Clamp

The circuit shown in Figure 6 uses the SR037 to supply a regulated 5.0V for the logic control circuitry. A 5.1V Zener diode is used in parallel with the 5.0V relay coil to ensure that the relay coil's maximum operating voltage is not exceeded. The Zener

diode also acts as the catch diode when the coil is switched to the off state. An external series resistor is used to limit the amount of Zener current.

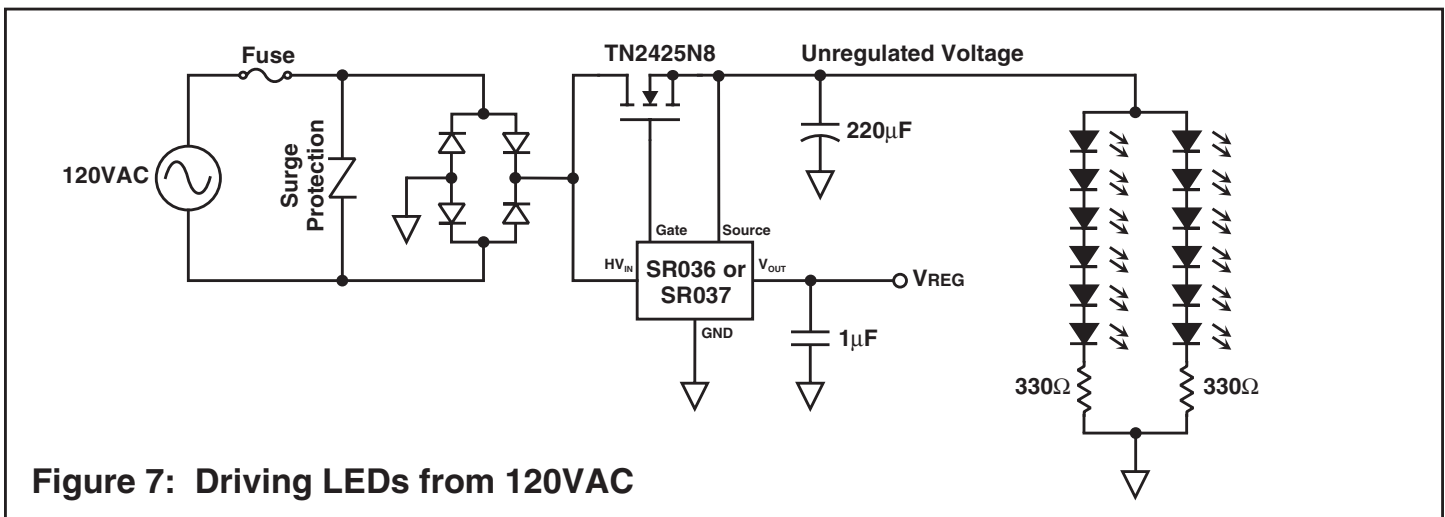


Figure 7: Driving LEDs from 120VAC

The circuit shown in Figure 7 uses the SR036 or SR037 to drive 12 high efficient red LEDs from a 120V AC line. The average LED current is approximately 20mA.