

DWG. NO.
SD-35301-003

SIMILAR ITEM

PROJECT NO.

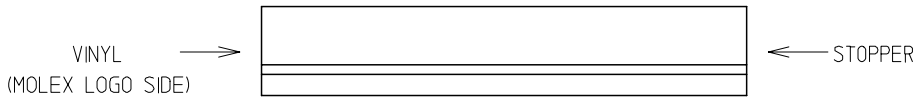
5

4

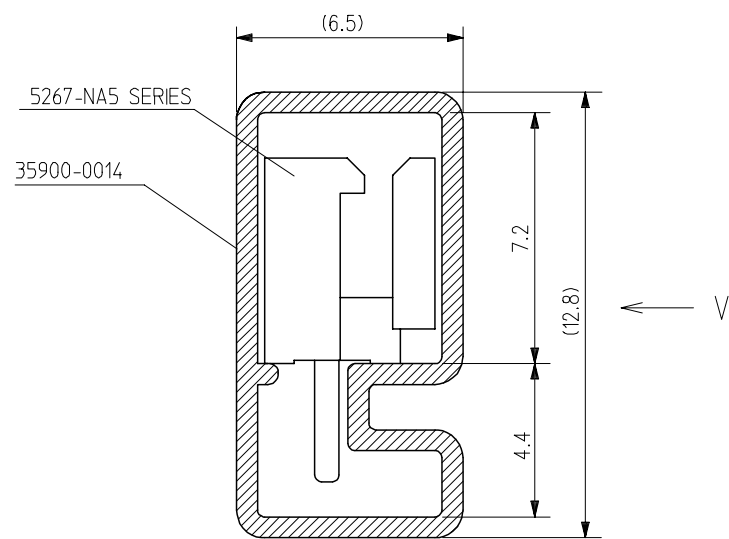
3

2

1



VIEW V



NOTES

1. PACKING TYPE : STOPPER & STICKER LOCKING TYPE(GENERAL)
: VINYL & STOPPER LOCKING TYPE(FOR S/S)
2. THICKNESS : 0.6 t
3. LENGTH : 550 mm

3	35301-0340	353010340	50	5267-NA5
2	35301-0240	353010240	70	SERIES
CKTS	ENG NO.	MAT'L NO.	Q'TY/TUBE	USED ON

NEW RELEASED EC NO. KOR2006-0082 DRWN: KSKIM(060109) CH'K: Y.Soo.KIM APPR: S.H.CHOI	DESCRIPTION MAJOR CRITICAL	GENERAL TOLERANCES: (UNLESS SPECIFIED)		SCALE 5 : 1	DESIGN UNITS <input checked="" type="checkbox"/> mm <input type="checkbox"/> INCH	THIRD ANGLE PROJECTION	DIMENSIONS: <input type="checkbox"/> mm <input type="checkbox"/> INCH <input checked="" type="checkbox"/> mm ONLY	SHT REV	
		4 PLACES	±0.	±.	DRAWN BY & DATE K.S.KIM(010112)	TITLE: TUBE PACKAGED FOR 5267-NA5 SERIES			
		3 PLACES	±0.	±.	CHECKED BY & DATE Y.Soo.KIM	MOLEX INCORPORATED			
		2 PLACES	±0.	±.	APPROVED BY & DATE S.H.CHOI	CAD FILENAME SD35301C.DGN	MATERIAL NO. SEE TABLE	DRAWING NO. SD-35301-003	SHEET NO 1 OF 1
1 PLACE	±0.4	±.	ANGULAR: ± 3 °	THIS DRAWING CONTAINS INFORMATION THAT IS PROPRIETARY TO MOLEX INCORPORATED AND SHOULD NOT BE USED WITHOUT WRITTEN PERMISSION.				SIZE A	
DRAFT WHERE APPLICABLE MUST REMAIN WITHIN DIMENSIONS									

5

4

3

2

MX-A4

DWG. NO.

SIMILAR ITEM

PROJECT NO.

B

DO NOT SCALE DRAWING
DIMENSION IN METRIC

8 7 6 5 4 3 2 1

F

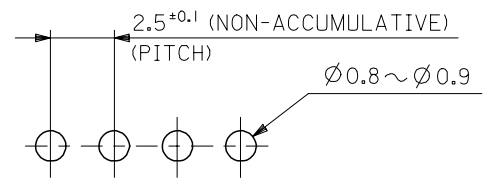
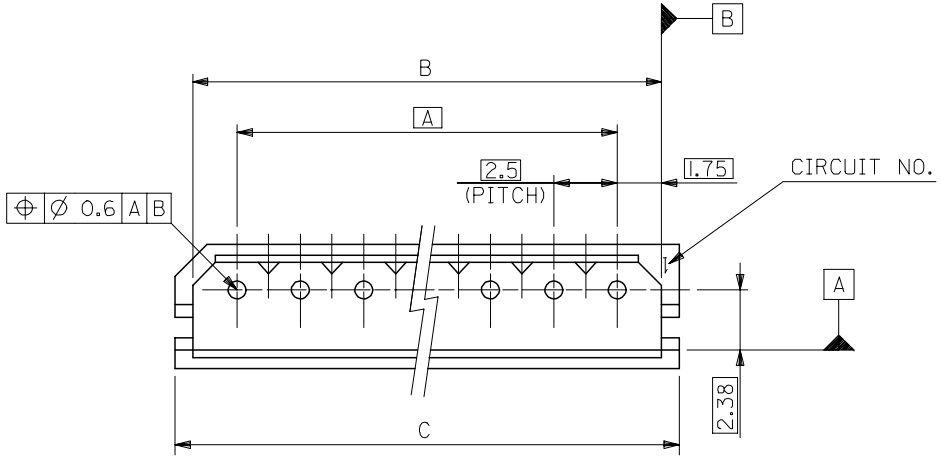
E

D

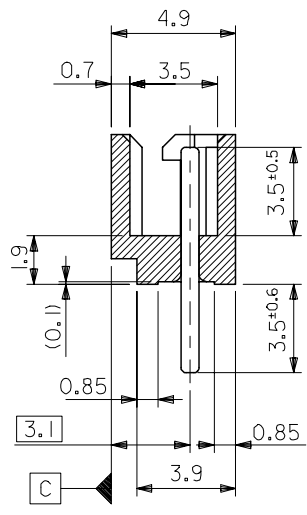
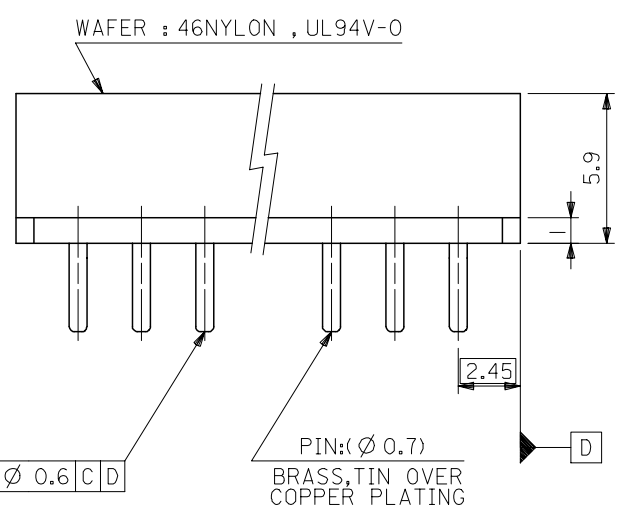
C

B

A



RECOMMENDED P.C.BOARD HOLE DIM.



NOTES:
1. MATES WITH : 5264 SERIES.

9.9	8.5	5	39-34-1036	5267-03A5	35301-0340	3
7.4	6	2.5	39-34-1026	5267-02A5	35301-0240	2
C	B	A	EDP NO.	ENG NO.	ENG NO.	NO OF CKT.

ANGLE	±3°
30 OVER	±0.3
10 OVER 30 UNDER	±0.25
10 UNDER	±0.2
GENERAL TOLERANCES	

NEW RELEASED
ECN NO. KOR2006-0092
DRWN: K.S.KIM (060102)
CHK: Y.Soo.KIM
APPR: SH.CHOI

QUALITY SYMBOLS
MAJOR =
CRITICAL =

GENERAL TOLERANCES:
(UNLESS SPECIFIED)

	mm	INCH
4 PLACES	±0.	±-
3 PLACES	±0.	±-
2 PLACES	±0.	±-
1 PLACE	±0.	±-

ANGULAR: ± °

DRAFT WHERE APPLICABLE MUST REMAIN WITHIN DIMENSIONS

SCALE 5:1
DESIGN UNITS mm INCH
DRAWN BY & DATE K.S.KIM (060102)
CHECKED BY & DATE Y.Soo.KIM
APPROVED BY & DATE SH.CHOI
CAD FILENAME

DIMENSIONS: mm INCH mm ONLY
THIRD ANGLE PROJECTION
TITLE: 2.5 LOW PROFILE WAFER ASS'Y
MATERIAL NO. DRAWING NO. SD-35301-014 SHEET NO. 1 OF 1
THIS DRAWING CONTAINS INFORMATION THAT IS PROPRIETARY TO MOLEX INCORPORATED AND SHOULD NOT BE USED WITHOUT WRITTEN PERMISSION.
KOREA MX-A3