

**Accessory Outlet Filter**

# EBF Series



**UL Recognized**  
**CSA Certified**  
**VDE Approved**



## EBF Series

The EBF accessory outlet filters provides an innovative means of connecting accessories while filtering noise between a system and the accessories attached. These filters provide enhanced performance utilizing common mode inductance and differential mode capacitance for attenuation of noise across the frequency range.

The filtered connector offers the additional advantage of a grounded connection and features low leakage current required for international usage.

## Specifications

### Maximum leakage current, each line-to-ground

@ 120 VAC 60 Hz:	.25 mA
@ 250 VAC 50 Hz:	.50 mA

### Hipot rating (one minute):

line-to-ground	1500 VAC
line-to-line	1450 VDC

### Operating frequency:

50/60 Hz

### Rated voltage (max.):

250 VAC

### Minimum insertion loss in dB:

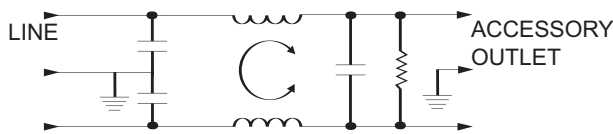
Line-to-ground in 50 ohm circuit

Current Rating	Frequency-MHz						
	.05	.15	.5	1	5	10	30
1A	23	32	41	47	47	47	40
3A	10	19	30	36	48	50	47
6A	1	10	22	28	42	48	47
10A	1	5	14	20	32	38	47

Line-to-line in 50 ohm circuit

Current Rating	Frequency-MHz						
	.15	.5	1	3	5	10	30
1A	3	14	23	41	47	50	44
3A	2	11	14	25	38	44	40
6A	2	10	14	20	33	42	40
10A	2	10	16	19	19	39	40

## Electrical Schematic



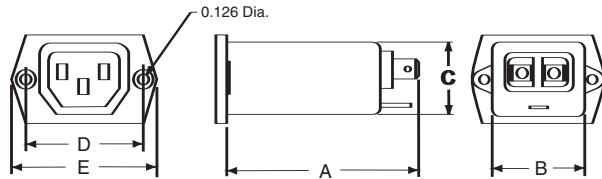
Resistor location for reference only.

**Accessory Outlet Filter (Continued)**

# EBF Series

## Case Styles

### EBF1

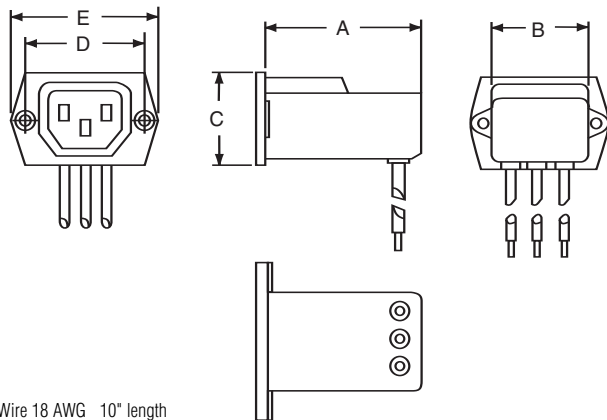


Typical dimensions:

Terminals: .250 [6.35] (3)  
Slot: .07 x .16 [1.8 x 4.1]

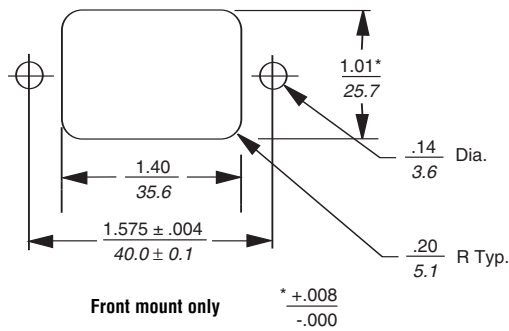
Holes: .07 [1.8] Dia. (2)  
Mounting Holes: .132 [3.35] Dia. (2) with .236 Dia. x 90° countersunk for #4 Flathead Screw

### EBF4



Wire 18 AWG 10" length

## Recommended Panel Cutout



## Case Dimensions

Part No.	A (max)	B (max)	C (max)	D $\pm .010$ $\pm .25$	E (max)
EBF1	<b>2.57</b> <i>65.3</i>	<b>1.33</b> <i>33.8</i>	<b>1.10</b> <i>25.4</i>	<b>1.575</b> <i>40.01</i>	<b>1.99</b> <i>50.5</i>
EBF4	<b>2.09</b> <i>53.01</i>	<b>1.39</b> <i>35.31</i>	<b>1.16</b> <i>29.46</i>	<b>1.575</b> <i>40.01</i>	<b>1.99</b> <i>50.5</i>

## Part Numbers

1EBF1	1EBF4
3EBF1	3EBF4
6EBF1	6EBF4
10EBF1	10EBF4