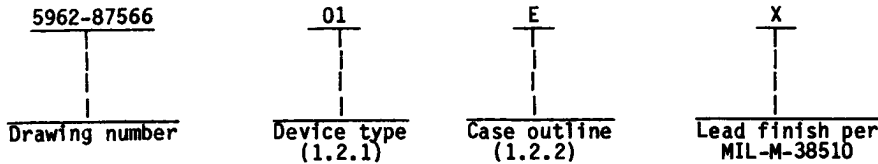


1. SCOPE

1.1 Scope. This drawing describes device requirements for class B microcircuits in accordance with 1.2.1 of MIL-STD-883, "Provisions for the use of MIL-STD-883 in conjunction with compliant non-JAN devices".

1.2 Part number. The complete part number shall be as shown in the following example:



1.2.1 Device type. The device type shall identify the circuit function as follows:

Device type	Generic number	Circuit function
01	10H558	Quad, two-input, noninverting multiplexer

1.2.2 Case outlines. The case outlines shall be as designated in appendix C of MIL-M-38510, and as follows:

Outline letter	Case outline
E	D-2 (16-lead, 1/4" x 7/8"), dual-in-line package #12
F	F-5 (16-lead, 1/4" x 3/8"), flat package #2
2	C-2 (20-terminal, .350" x .350"), square chip carrier package 16.

1.3 Absolute maximum ratings.

Supply voltage range - - - - -	-8.0 V dc to 0.0 V dc
Input voltage range - - - - -	0.0 V dc to -5.2 V dc
Storage temperature range - - - - -	-65°C to +165°C
Lead temperature (soldering 10 seconds) - - - - -	+300°C
Junction temperature (T _J) - - - - -	+165°C
Maximum power dissipation (P _D) - - - - -	320 mW
Thermal resistance, junction-to-case (θ _{JC}):	
Cases E and F - - - - -	(See MIL-M-38510, appendix C)
Case 2 - - - - -	80°C/W <u>1/</u>

1.4 Recommended operating conditions.

Supply voltage (V _{CC}) - - - - -	-5.46 V dc minimum to -4.94 V dc maximum
Ambient operating temperature range (T _A) - - - - -	-55°C to +125°C
Minimum high level input voltage (V _{IH}):	
T _A = +25°C - - - - -	-0.780 V
T _A = +125°C - - - - -	-0.650 V
T _A = -55°C - - - - -	-0.840 V
Maximum low level input voltage (V _{IL}) - - - - -	-1.950 V

1/ When a thermal resistance for this case is specified in MIL-M-38510, appendix C, that value shall supersede the value specified herein.

MILITARY DRAWING DEFENSE ELECTRONICS SUPPLY CENTER DAYTON, OHIO	SIZE A	CODE IDENT. NO. 67268	DWG NO. 5962-87566
		REV	PAGE 2

2. APPLICABLE DOCUMENTS

2.1 Government specification and standard. Unless otherwise specified, the following specification and standard, of the issue listed in that issue of the Department of Defense Index of Specifications and Standards specified in the solicitation, form a part of this drawing to the extent specified herein.

SPECIFICATION

MILITARY

MIL-M-38510 - Microcircuits, General Specification for.

STANDARD

MILITARY

MIL-STD-883 - Test Methods and Procedures for Microelectronics.

(Copies of the specification and standard required by manufacturers in connection with specific acquisition functions should be obtained from the contracting activity or as directed by the contracting activity.)

2.2 Order of precedence. In the event of a conflict between the text of this drawing and the references cited herein, the text of this drawing shall take precedence.

3. REQUIREMENTS

3.1 Item requirements. The individual item requirements shall be in accordance with 1.2.1 of MIL-STD-883, "Provisions for the use of MIL-STD-883 in conjunction with compliant non-JAN devices" and as specified herein.

3.2 Design, construction, and physical dimensions. The design, construction, and physical dimensions shall be as specified in MIL-M-38510 and herein.

3.2.1 Terminal connections. The terminal connections shall be as specified on figure 1.

3.2.2 Truth table. The truth table shall be as specified on figure 2.

3.2.3 Logic diagram. The logic diagram shall be as specified on figure 3.

3.2.4 Case outlines. The case outlines shall be in accordance with 1.2.2 herein.

3.3 Electrical performance characteristics. Unless otherwise specified, the electrical performance characteristics are as specified in table I and apply over the full recommended ambient operating temperature range.

3.4 Marking. Marking shall be in accordance with MIL-STD-883 (see 3.1 herein). The part shall be marked with the part number listed in 1.2 herein. In addition, the manufacturer's part number may also be marked as listed in 6.4 herein.

3.5 Certificate of compliance. A certificate of compliance shall be required from a manufacturer in order to be listed as an approved source of supply in 6.4. The certificate of compliance submitted to DESC-ECS prior to listing as an approved source of supply shall state that the manufacturer's product meets the requirements of MIL-STD-883 (see 3.1 herein) and the requirements herein.

3.6 Certificate of conformance. A certificate of conformance as required in MIL-STD-883 (see 3.1 herein) shall be provided with each lot of microcircuits delivered to this drawing.

3.7 Notification of change. Notification of change to DESC-ECS shall be required in accordance with MIL-STD-883 (see 3.1 herein).

MILITARY DRAWING DEFENSE ELECTRONICS SUPPLY CENTER DAYTON, OHIO	SIZE A	CODE IDENT. NO. 67268	DWG NO. 5962-87566
		REV	PAGE 3

DESC FORM 193A
FEB 86

TABLE I. Electrical performance characteristics.

Test	Symbol	Conditions -55°C < T _A < +125°C unless otherwise specified	Group A subgroups	Limits		Unit		
				Min	Max			
Cases E, F, and 2		Quiescent conditions 1/						
High level output voltage	V _{OH}	Outputs terminated through 100Ω to -2 V V _{CC} = 0.0 V V _{EE} = -5.2 V	V _{IH}	V _{IL}				
			-0.780	-1.950	1	-1.010	-0.780	V
			-0.650	-1.950	2	-0.860	-0.650	
Low level output voltage	V _{OL}	V _{CC} = 0.0 V V _{EE} = -5.2 V	-0.840	-1.950	3	-1.060	-0.840	
			-0.780	-1.950	1	-1.950	-1.580	V
			-0.650	-1.950	2	-1.950	-1.565	
High level threshold output voltage	V _{OHA}	V _{CC} = 0.0 V V _{EE} = -5.2 V	-0.840	-1.950	3	-1.950	-1.610	
			-1.110	-1.480	1	-1.010	-0.780	V
			-0.960	-1.465	2	-0.860	-0.650	
Low level threshold output voltage	V _{OLA}	V _{CC} = 0.0 V V _{EE} = -5.2 V	-1.160	-1.510	3	-1.060	-0.840	
			-1.110	-1.480	1	-1.950	-1.580	V
			-0.960	-1.465	2	-1.950	-1.565	
Power supply drain current	I _{EE}	V _{CC} = 0.0 V V _{EE} = -5.2 V	-1.160	-1.510	3	-1.950	-1.610	
					1	-48		mA
					2, 3	-53		
High level input current	I _{IH1}	Outputs terminated through 100Ω to -2 V V _{CC} = 0.0 V V _{EE} = -5.2 V All inputs	Select		1, 2 3	295 475	μA	
	I _{IH2}		All inputs		1, 2 3	320 515	μA	
Low level input current	I _{IL}	V _{CC} = 0.0 V V _{EE} = -5.2 V All inputs			1, 3 2	0.5 0.3	μA μA	
Cases E and F		DC rapid test conditions 2/						
High level output voltage	V _{OH}	Outputs terminated through 100Ω to -2 V V _{CC} = 0.0 V V _{EE} = -5.2 V	V _{IH}	V _{IL}				
			-0.793	-1.950	1	-1.022	-0.793	V
			-0.665	-1.950	2	-0.874	-0.665	
Low level output voltage	V _{OL}	V _{CC} = 0.0 V V _{EE} = -5.2 V	-0.855	-1.950	3	-1.074	-0.855	
			-0.793	-1.950	1	-1.950	-1.584	V
			-0.665	-1.950	2	-1.950	-1.570	
See footnotes at end of table.								
MILITARY DRAWING DEFENSE ELECTRONICS SUPPLY CENTER DAYTON, OHIO			SIZE	CODE IDENT. NO.	DWG NO.			
			A	67268	5962-87566			
			REV	PAGE	4			

DESC FORM 193A
FEB 86

TABLE I. Electrical performance characteristics - Continued.

Test	Symbol	Conditions -55°C < T _A < +125°C unless otherwise specified	Group A subgroups	Limits		Unit		
				Min	Max			
Cases E and F DC rapid test conditions 2/								
High level threshold output voltage	V _{OHA}	Outputs terminated through 100Ω to -2V	V _{IH}	V _{IL}				
			1	-1.122	-1.484	-1.022	-0.793	V
			2	-0.974	-1.470	-0.874	-0.665	
Low level threshold output voltage	V _{OLA}	V _{CC} = 0.0 V V _{EE} = -5.2 V	1	-1.122	-1.484	-1.950	-1.584	V
			2	-0.974	-1.470	-1.950	-1.570	
			3	-1.174	-1.515	-1.950	-1.615	
Power supply drain current	I _{EE}				1 2, 3	-47 -52	mA	
High level input current	I _{IH1}		Select		1, 2 3	280 460	μA	
	I _{IH2}	Outputs terminated 100Ω to -2 V	All inputs		1, 2 3	305 500	μA	
Low level input current	I _{IL}	V _{EE} = -5.2 V V _{CC} = 0.0 V All inputs			1, 3 2	0.5 0.3	μA μA	
Case 2 DC rapid test conditions 2/								
High level output voltage	V _{OH}	Outputs terminated through 100Ω to -2 V	V _{IH}	V _{IL}				
			1	-0.800	-1.950	-1.028	-0.800	V
			2	-0.671	-1.950	-0.880	-0.671	
Low level output voltage	V _{OL}	V _{CC} = 0.0 V V _{EE} = -5.2 V	1	-0.800	-1.950	-1.950	-1.586	V
			2	-0.671	-1.950	-1.950	-1.572	
			3	-0.861	-1.950	-1.950	-1.617	
High level threshold output voltage	V _{OHA}		1	-1.128	-1.486	-1.028	-0.800	V
			2	-0.980	-1.472	-0.880	-0.671	
			3	-1.180	-1.517	-1.080	-0.861	
Low level threshold output voltage	V _{OLA}		1	-1.128	-1.486	-1.950	-1.586	V
			2	-0.980	-1.472	-1.950	-1.572	
			3	-1.180	-1.517	-1.950	-1.617	
Power supply drain current	I _{EE}				1 2, 3	-47 -52	mA	
See footnotes at end of table.								
MILITARY DRAWING DEFENSE ELECTRONICS SUPPLY CENTER DAYTON, OHIO		SIZE	CODE IDENT. NO.	DWG NO.				
		A	67268	5962-87566				
		REV	PAGE		5			

DESC FORM 193A
FEB 86

TABLE I. Electrical performance characteristics - Continued.

Test	Symbol	Conditions -55°C < T _A < +125°C unless otherwise specified	Group A subgroups	Limits		Unit	
				Min	Max		
Case 2 DC rapid test conditions 2/							
High level input current	I _{IH1}		Select	1, 2 3	280 460	μA	
	I _{IH2}	Outputs terminated	All inputs	1, 2 3	305 500	μA	
Low level input current	I _{IL}	100Ω to -2 V V _{EE} = -5.2 V V _{CC} = 0.0 V All inputs		1, 3 2	0.5 0.3	μA μA	
Cases E, F, and 2 AC test conditions							
Transition time	t _{TLH}	V _{EE} = -2.94 V _{CC} = 2.0 V C _L < 5 pF Load all outputs through 100Ω to ground		9	0.70	2.00	ns
	t _{THL}			10	0.70	2.20	
	t ₊ , t ₋			11	0.70	2.20	
Propagation delay time	t _{PHH1}			9	0.50	1.80	ns
	t _{PLL1}			10	0.50	2.20	
	t _{PHL1} t _{PLH1}			11	0.50	1.90	
Propagation delay time	t _{PHH2}			9	1.00	2.70	ns
	t _{PLL2}			10	1.00	3.00	
	t _{PHL2} t _{PLH2}			11	1.00	2.70	

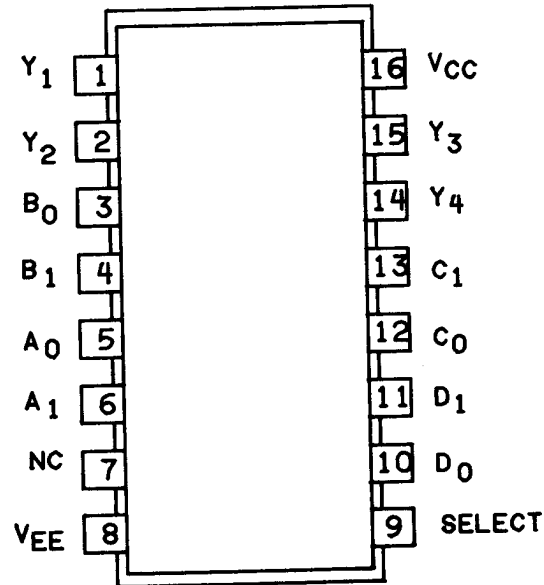
1/ The quiescent limits are determined after a device has reached thermal equilibrium. This is defined as the reading taken with the device in a socket with > 500 LFPM of +25°C air blowing on the unit and with power applied at least four minutes before the reading is taken.

2/ The dc rapid test forcing functions and limits are used for all dc testing. These limits are determined for each device type based on the power dissipation and package type. The rapid test (delta V) limits and forcing functions are skewed allowing rapid testing to be performed at standard temperatures without the addition of delta T's.

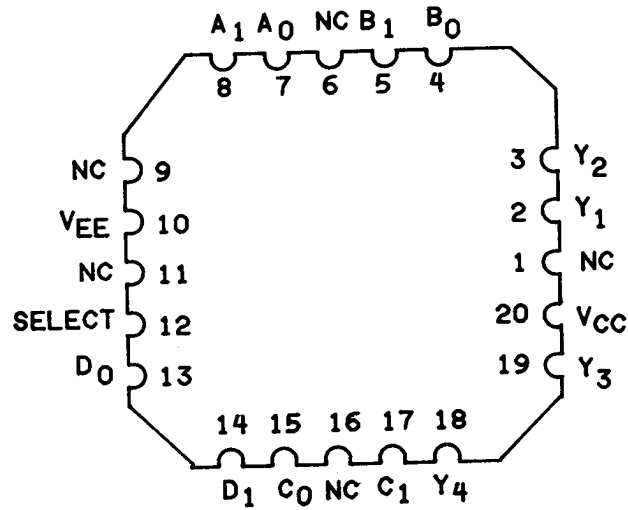
MILITARY DRAWING DEFENSE ELECTRONICS SUPPLY CENTER DAYTON, OHIO	SIZE	CODE IDENT. NO.	DWG NO.
	A	67268	5962-87566
	REV	PAGE	6

DESC FORM 193A
FEB 86

Cases E and F



Case 2



(Top view)

FIGURE 1. Terminal connections.

MILITARY DRAWING DEFENSE ELECTRONICS SUPPLY CENTER DAYTON, OHIO	SIZE	CODE IDENT. NO.	DWG NO.
	A	67268	5962-87566
	REV	PAGE	7

DESC FORM 193A
FEB 86

Select	X ₀	X ₁	Output
L	∅	L	L
L	∅	H	H
H	L	∅	L
H	H	∅	H

∅ = Don't care
 X = A, B, C, or D

FIGURE 2. Truth table.

MILITARY DRAWING DEFENSE ELECTRONICS SUPPLY CENTER DAYTON, OHIO	SIZE A	CODE IDENT. NO. 67268	DWG NO. 5962-87566
		REV	PAGE 8

DESC FORM 193A
 FEB 86

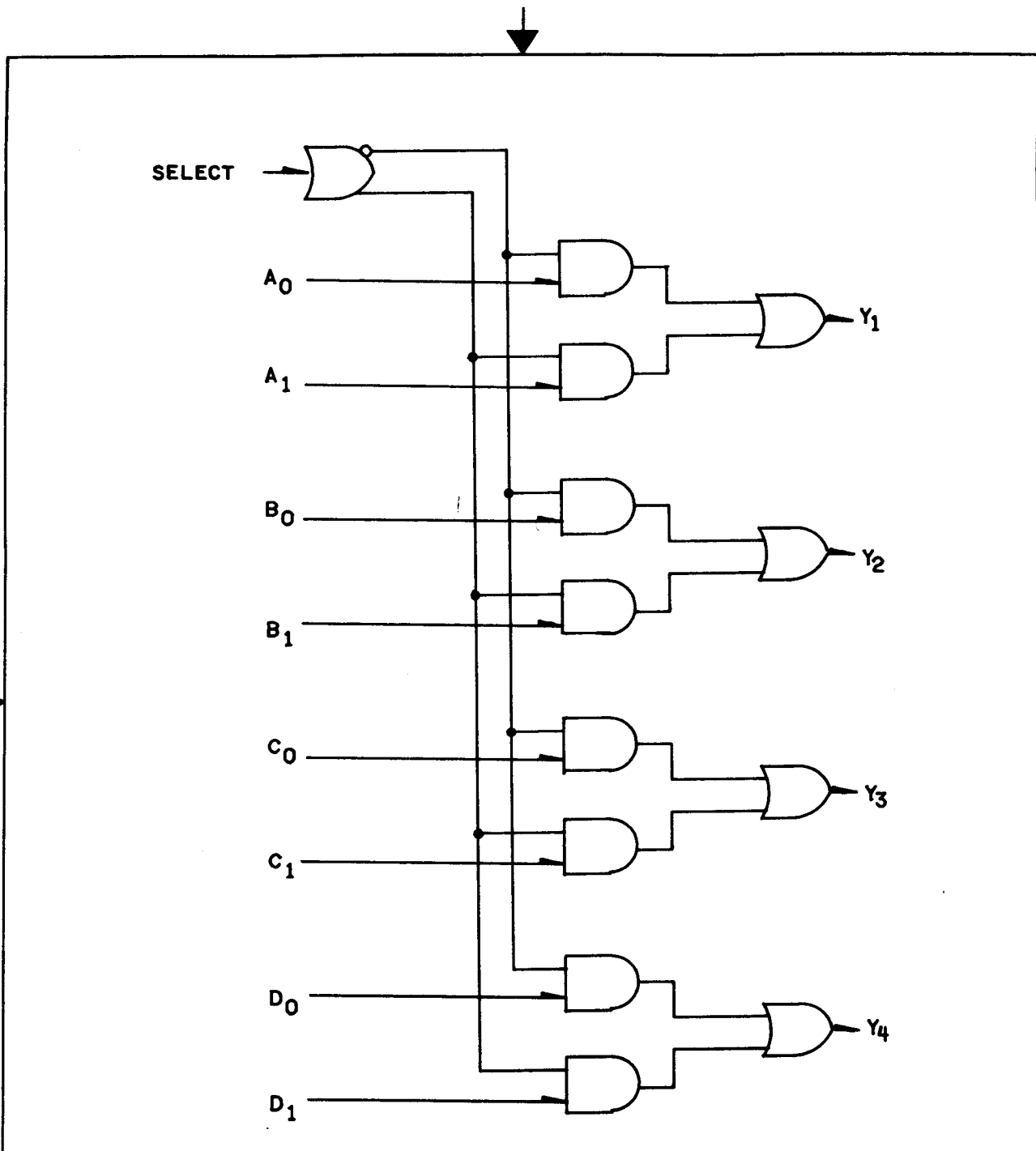


FIGURE 3. Logic diagram.

MILITARY DRAWING DEFENSE ELECTRONICS SUPPLY CENTER DAYTON, OHIO	SIZE A	CODE IDENT. NO. 67268	DWG NO. 5962-87566
		REV	PAGE 9

DESC FORM 193A
FEB 86

3.8 Verification and review. DESC, DESC's agent, and the acquiring activity retain the option to review the manufacturer's facility and applicable required documentation. Offshore documentation shall be made available onshore at the option of the reviewer.

4. QUALITY ASSURANCE PROVISIONS

4.1 Sampling and inspection. Sampling and inspection procedures shall be in accordance with section 4 of MIL-M-38510 to the extent specified in MIL-STD-883 (see 3.1 herein).

4.2 Screening. Screening shall be in accordance with method 5004 of MIL-STD-883, and shall be conducted on all devices prior to quality conformance inspection. The following additional criteria shall apply:

- a. Burn-in test (method 1015 of MIL-STD-883).
 - (1) Test condition A, B, C or D using the circuit submitted with the certificate of compliance (see 3.5 herein).
 - (2) $T_A = +125^{\circ}\text{C}$, minimum.
- b. Interim and final electrical test parameters shall be as specified in table II herein, except interim electrical parameter tests prior to burn-in are optional at the discretion of the manufacturer.

4.3 Quality conformance inspection. Quality conformance inspection shall be in accordance with method 5005 of MIL-STD-883 including groups A, B, C, and D inspections. The following additional criteria shall apply.

4.3.1 Group A inspection.

- a. Tests shall be as specified in table II herein.
- b. Subgroups 4, 5, 6, and 8 in table I, method 5005 of MIL-STD-883 shall be omitted.
- c. Subgroup 4 (C_{IN} measurement) shall be measured only for the initial test and after process or design changes which may affect input capacitance.
- d. Subgroup 7 test shall verify the truth table.

4.3.2 Groups C and D inspections.

- a. End-point electrical parameters shall be as specified in table II herein.
- b. Steady-state life test (method 1005 of MIL-STD-883) conditions:
 - (1) Test condition D using the circuit submitted with the certificate of compliance (see 3.5 herein).
 - (2) $T_A = +125^{\circ}\text{C}$, minimum.
 - (3) Test duration: 1,000 hours, except as permitted by appendix B of MIL-M-38510 and method 1005 of MIL-STD-883.

MILITARY DRAWING DEFENSE ELECTRONICS SUPPLY CENTER DAYTON, OHIO	SIZE A	CODE IDENT. NO. 67268	DWG NO. 5962-87566
		REV	PAGE 10

DESC FORM 193A
FEB 86

TABLE II. Electrical test requirements.

MIL-STD-883 test requirements	Subgroups (per method 5005, table I)
Interim electrical parameters (method 5004)	1
Final electrical test parameters (method 5004)	1*,2,3,7*,9
Group A test requirements (method 5005)	1,2,3,7,9,10, 11
Groups C and D end-point electrical parameters (method 5005)	1,2,3

* PDA applies to subgroups 1 and 7.

5. PACKAGING

5.1 Packaging requirements. The requirements for packaging shall be in accordance with MIL-M-38510.

6. NOTES

6.1 Intended use. Microcircuits conforming to this drawing are intended for use when military specifications do not exist and qualified military devices that will perform the required function are not available for OEM application. When a military specification exists and the product covered by this drawing has been qualified for listing on QPL-38510, the device specified herein will be inactivated and will not be used for new design. The QPL-38510 product shall be the preferred item for all applications.

6.2 Replaceability. Microcircuits covered by this drawing will replace the same generic device covered by a contractor-prepared specification or drawing.

6.3 Comments. Comments on this drawing should be directed to DESC-ECS, Dayton, Ohio 45444, or telephone 513-296-5375.

MILITARY DRAWING DEFENSE ELECTRONICS SUPPLY CENTER DAYTON, OHIO	SIZE A	CODE IDENT. NO. 67268	DWG NO. 5962-87566
		REV	PAGE 11

DESC FORM 193A
FEB 86

6.4 Approved source of supply. An approved source of supply is listed herein. Additional sources will be added as they become available. The vendor listed herein has agreed to this drawing and a certificate of compliance (see 3.5 herein) has been submitted to DESC-ECS.

Military drawing part number	Vendor CAGE number	Vendor 1/ similar part number
5962-8756601EX	04713	10H558/BEAJC
5962-8756601FX	04713	10H558/BFAJC
5962-87566012X	04713	10H558M/B2CJC

1/ Caution. Do not use this number for item acquisition. Items acquired to this number may not satisfy the performance requirements of this drawing.

Vendor CAGE number

04713

Vendor name and address

Motorola, Incorporated
7402 South Price Road
Tempe, AZ 85283

MILITARY DRAWING DEFENSE ELECTRONICS SUPPLY CENTER DAYTON, OHIO	SIZE A	CODE IDENT. NO. 67268	DWG NO. 5962-87566
		REV	PAGE 12

DESC FORM 193A
FEB 86

011859 _ _ _