

**PLEASE CHECK WWW.MOLEX.COM FOR LATEST PART INFORMATION**

**Part Number:** [0350230012](#)  
**Status:** **Active**  
**Description:** 2.00mm (.079") Pitch Board-In Crimp Housing, 12 Circuits

**Documents:**

[3D Model](#) [Product Specification PS-35044-001 \(PDF\)](#)  
[Drawing \(PDF\)](#) [RoHS Certificate of Compliance \(PDF\)](#)  
[Product Specification PS-35023-001 \(PDF\)](#)

**Agency Certification**

CSA LR19980  
 UL E29179

**General**

Product Family Crimp Housings  
 Series [35023](#)  
 Product Name Board-In

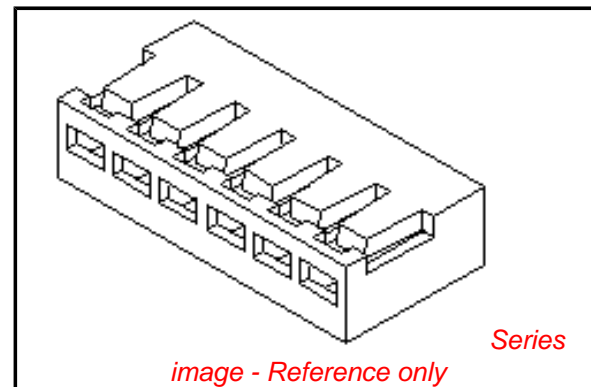
**Physical**

Circuits (maximum) 12  
 Color - Resin Natural  
 Flammability 94V-0  
 Gender Female  
 Glow-Wire Compliant No  
 Material - Resin Nylon  
 Number of Rows 1  
 Packaging Type Bag  
 Panel Mount No  
 Pitch - Mating Interface (in) 0.079 In  
 Pitch - Mating Interface (mm) 2.00 mm  
 Stackable No  
 Temperature Range - Operating -40°C to +105°C

**Material Info**

**Reference - Drawing Numbers**

Product Specification PS-35023-001, PS-35044-001  
 Sales Drawing SD-35023-\*0\*\*, SD-35023-001



**EU RoHS**

**ELV and RoHS  
 Compliant**  
**REACH SVHC**  
 Not Reviewed  
**Halogen-Free  
 Status**  
**Not Reviewed**

**China RoHS**



**Need more information on product  
 environmental compliance?**

Email [productcompliance@molex.com](mailto:productcompliance@molex.com)  
 For a multiple part number RoHS Certificate of  
 Compliance, [click here](#)

Please visit the [Contact Us](#) section for any  
 non-product compliance questions.

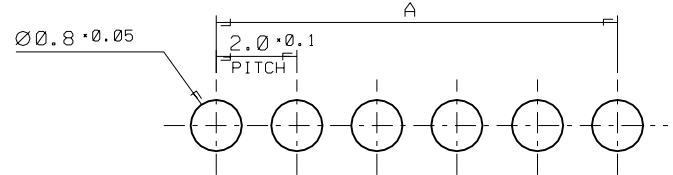
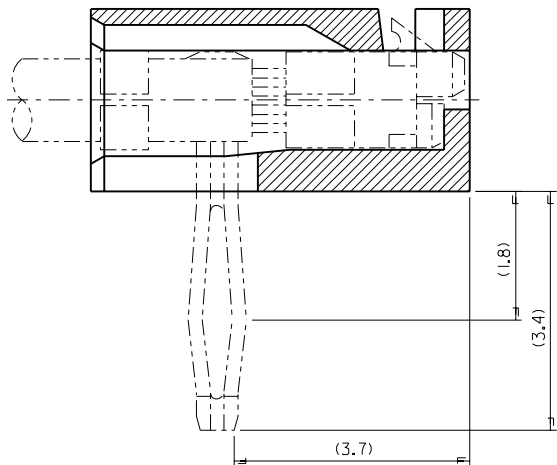
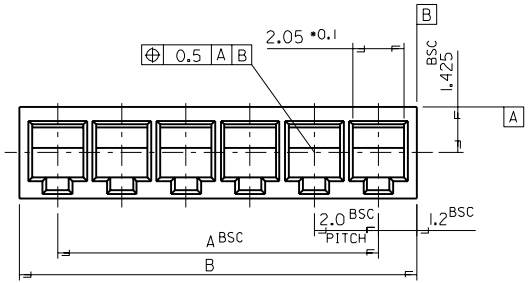
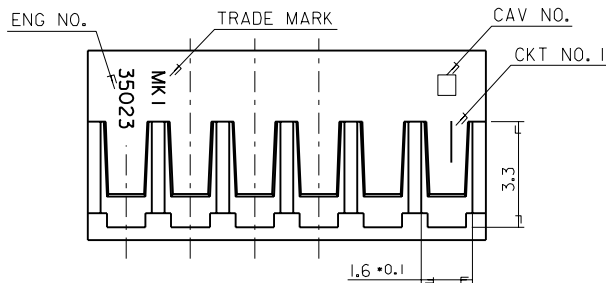
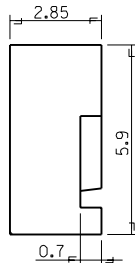
**Search Parts in this Series**

[35023Series](#)

**Use With**

[35044](#) , [35021](#)

DWG. NO. SD 35023-\*0\*\*  
 SIMILAR ITEM 35023-\*0\*\*  
 PROJECT NO.  
 DWG. NO. SD 35023-\*0\*\*



P.C. BOARD LAY OUT  
(THK. = 1.6T)

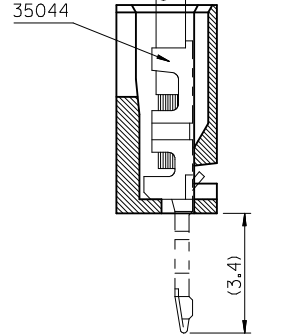
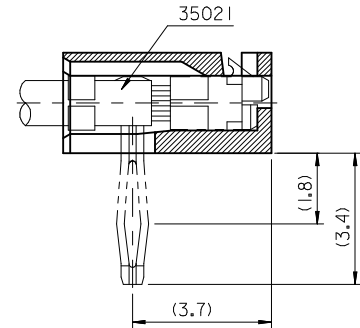
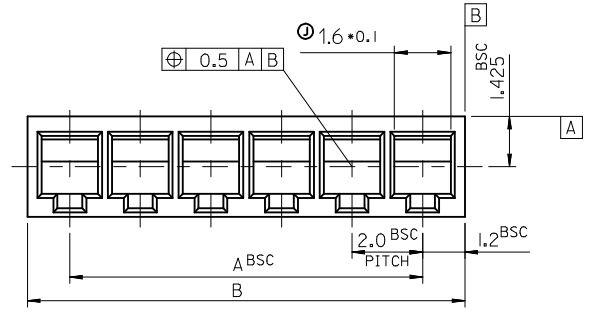
32.4	30.0	35023-*016	16	18.4	16.0	-*009	9
30.4	28.0	-*015	15	14.4	14.0	-*008	8
28.4	26.0	-*014	14	12.4	10.0	-*006	6
26.4	24.0	-*013	13	10.4	8.0	-*005	5
24.4	22.0	-*012	12	8.4	6.0	-*004	4
22.4	20.0	-*011	11	6.4	4.0	-*003	3
20.4	18.0	-*010	10	4.4	2.0	35023-*002	2
B	A	ENG NO.	CKT NO.	B	A	ENG NO.	CKT NO.

- NOTE
- MATERIAL : NYLON 66 UL94V-0
  - APPLIED TERMINAL : 35021-I201/I301
  - PRODUCT SPECIFICATION : PS-35023

LEGEND

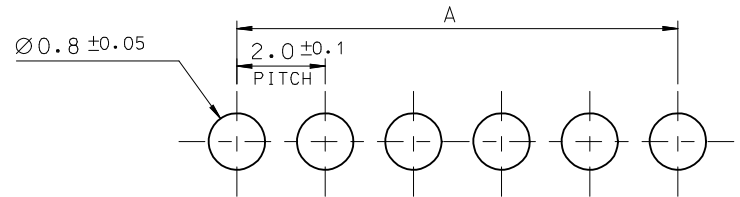
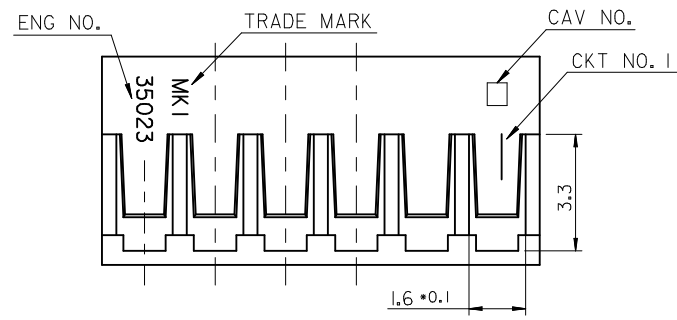
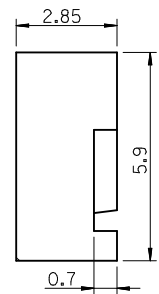
35023 - \*0 \*\* CKT.(02,03,04....)  
 COLOR : 0 --- NATURAL  
 1 --- BLACK

REVISED EC NO. KOR.999-0007 DRWN: K.S.KIM(990111) CHK: J.K.OH APPR: C.W.LEE	QUALITY SYMBOLS MAJOR CRITICAL	GENERAL TOLERANCES: (UNLESS SPECIFIED)		SCALE 7-1	DESIGN UNITS <input checked="" type="checkbox"/> mm <input type="checkbox"/> INCH	DIMENSIONS: <input type="checkbox"/> mm <input type="checkbox"/> INCH <input checked="" type="checkbox"/> mm ONLY		SHT	REV
		4 PLACES	±0.	±.	DRAWN BY & DATE H.S.SHIN(931026)		TITLE: 2.0mm PITCH B-IN CONN. HOUSING(S/T)		
		3 PLACES	±0.	±.	CHECKED BY & DATE J.K.OH		MOLEX INCORPORATED KOREA		
		2 PLACES	±0.	±.	APPROVED BY & DATE C.W.LEE				
1 PLACE	±0.3	±.	ANGULAR: ± 1 °		CAD FILENAME SD35023.DGN	MATERIAL NO. 35023-*0**	DRAWING NO. SD 35023-*0**	SHEET NO. 10F1	SIZE B
DRAFT WHERE APPLICABLE MUST REMAIN WITHIN DIMENSIONS		THIS DRAWING CONTAINS INFORMATION THAT IS PROPRIETARY TO MOLEX INCORPORATED AND SHOULD NOT BE USED WITHOUT WRITTEN PERMISSION.							

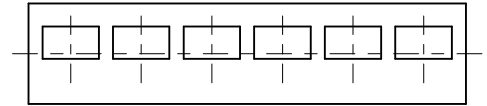


RIGHT ANGLE TYPE

STRAIGHT TYPE



P.C. BOARD LAY OUT  
(THK.: 1.6+)



				18.4	16.0	- ****	9
32.4	30.0	35023- ****	16	16.4	14.0	- ****	8
30.4	28.0	- ****	15	14.4	12.0	- ****	7
28.4	26.0	- ****	14	12.4	10.0	- ****	6
26.4	24.0	- ****	13	10.4	8.0	- ****	5
24.4	22.0	- ****	12	8.4	6.0	- ****	4
22.4	20.0	- ****	11	6.4	4.0	- ****	3
20.4	18.0	- ****	10	4.4	2.0	35023- ****	2
B	A	ENG NO.	CKT NO.	B	A	ENG NO.	CKT NO.

NOTE

- MATERIAL : NYLON 66 UL94V-0
- APPLIED TERMINAL : 35021-1201/1301,35044
- PRODUCT SPECIFICATION : PS-35023

LEGEND (ZYTEL FE13001)

35023 - \*0 \*\* CKT.(02,03,04....)

COLOR : 0 --- NATURAL  
I --- BLACK

① LEGEND (TECHNYL A50H1,HF Version)

35023 - \*\*6\* CKT.(02,03,04....)  
COLOR : 0 --- NATURAL  
I --- BLACK

REVISED	DESCRIPTION	QUALITY SYMBOLS
EC NO: KOR2010-0015	2009/07/28	▽=0
DRWN: JHPARK01	2009/07/30	∇=0
CHKD: WY. YANG	2009/07/30	
APPR: YUNSIKIM	2009/07/30	
J	REV	

GENERAL TOLERANCES (UNLESS SPECIFIED)	
mm	INCH
4 PLACES	± --- ± ---
3 PLACES	± --- ± ---
2 PLACES	± 0.2 ± ---
1 PLACE	± 0.3 ± ---
ANGULAR ± 1 °	
DRAFT WHERE APPLICABLE MUST REMAIN WITHIN DIMENSIONS	

DIMENSION STYLE	
MM ONLY	
DRAWN BY	DATE
HS. SHIN	1993/10/26
CHECKED BY	DATE
JK. OH	1993/10/26
APPROVED BY	DATE
CW. LEE	1993/10/26
MATERIAL NO.	
SEE TABLE	
SIZE	A3

SCALE	1:1
DESIGN UNITS	METRIC
THIRD ANGLE PROJECTION	
TITLE	
2.0 PITCH B-IN CONN. HOUSING(S/T)	
MOLEX INCORPORATED	
DOCUMENT NO.	SD-35023-001
SHEET NO.	1 OF 01
THIS DRAWING CONTAINS INFORMATION THAT IS PROPRIETARY TO MOLEX INCORPORATED AND SHOULD NOT BE USED WITHOUT WRITTEN PERMISSION	