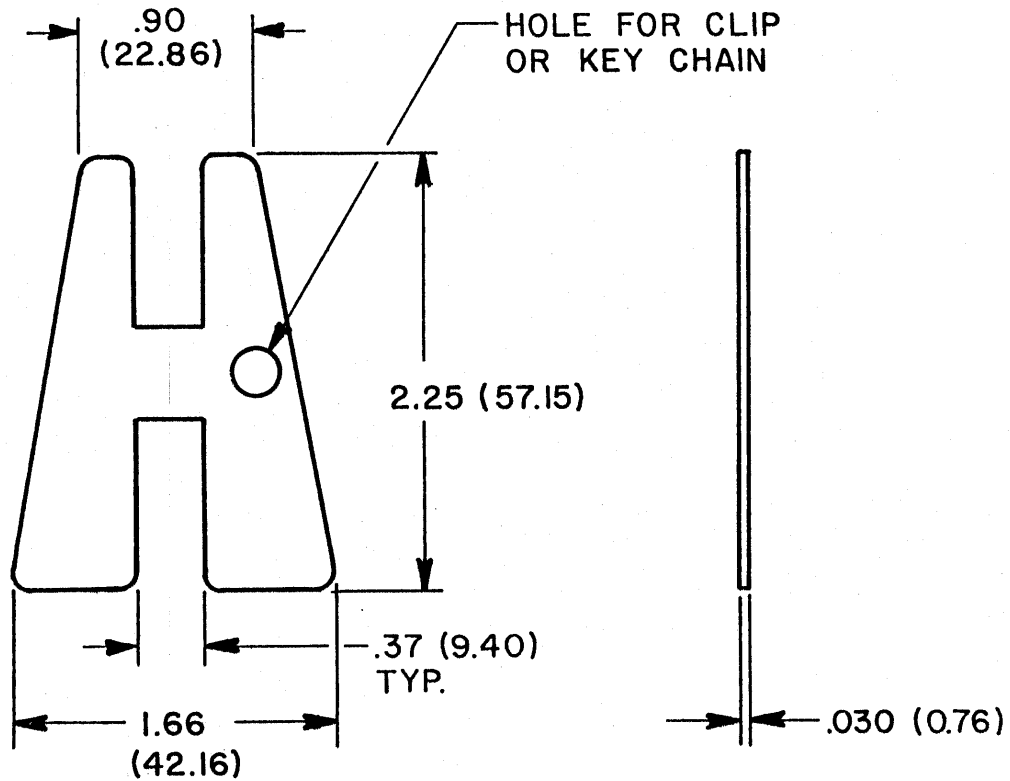


REVISIONS			
LTR	DESCRIPTION	DATE	APPROVED
D	CHG'D PER DCO#T-03333	W.J. 12-14-81	<i>[Signature]</i>
E	REVISED PER ECN -03653	8-18-82	73
F	REVISED PER ECN #T-20349	8/2/95	HAGMANN



NOTES:

1. REMOVAL TOOL IS TO BE USED ON MTC SERIES CONNECTOR WAFERS.
2. DIMENSIONS IN BRACKETS () ARE METRIC (M.M.).

If this document is printed it becomes uncontrolled.
Check with the web for latest revision.

DO NOT SCALE THIS DRAWING		SPECIFICATION CONTROL DRAWING			
UNLESS OTHERWISE SPECIFIED DIMENSIONS ARE IN INCHES AND TOLERANCES ARE: .XXX : ±.005 (.13) .XX : ±.03 (0.76) ___ : ±	DRAWN	<i>Melen 2/2/77</i>	RAYCHEM		RAYCHEM CORPORATION 300 CONSTITUTION DRIVE MENLO PARK, CALIFORNIA 94025
	CHECKED	<i>R.M. Keel 2/1/77</i>			
MATERIAL PLASTIC	APPROVED	<i>[Signature] 2-2-77</i>	TITLE MTC CONNECTOR WAFER REMOVAL TOOL NO. D659-0001		
	APPROVED				
FINISH —	PART NO.		SIZE A	CODE IDENT. NO. 06090	DWG. NO. D659-0001
	PROJECT	—	SCALE FULL	WEIGHT —	SHEET — OF —