



Installation Accessories

Series/Type: **B84298M**

Date: January 2004

© EPCOS AG 2004. Reproduction, publication and dissemination of this data sheet, enclosures hereto and the information contained therein without EPCOS' prior express consent is prohibited.
Purchase orders are subject to the General Conditions for the Supply of Products and Services of the Electrical and Electronics Industry recommended by the ZVEI (German Electrical and Electronic Manufacturers' Association), unless otherwise agreed.



Installation accessories

B84298M

RF-tight screw plugs

for sealing holes for connector fittings

Dimensional drawing	Installation instruction	Ordering code
Nominal width 25 mm, for connector fitting type B84298A0042L...		
<p>SGR0234-6</p>	<p>Nut PG 29 (width across flats 41)</p> <p>RF gasket</p> <p>Shielding wall, max. thickness 5 mm</p> <p>SGR0235-E-E</p>	B84298M0029C001
Nominal width 40 mm, for connector fitting type B84298A0044L...		
<p>SGR0236-M</p>	<p>Nut PG 42 (width across flats 60)</p> <p>RF gasket</p> <p>Shielding wall, max. thickness 5 mm</p> <p>SGR0237-V-E</p>	B84298M0042C001
RF-tight cover flange plate		
Nominal width 80 mm, for connector fitting type B84298A0046L...		
<p>8 x M8</p> <p>SGR0238-4</p>	<p>Shielding wall, max. thickness 5 mm</p> <p>SGR0239-C-E</p>	B84298M0080C001



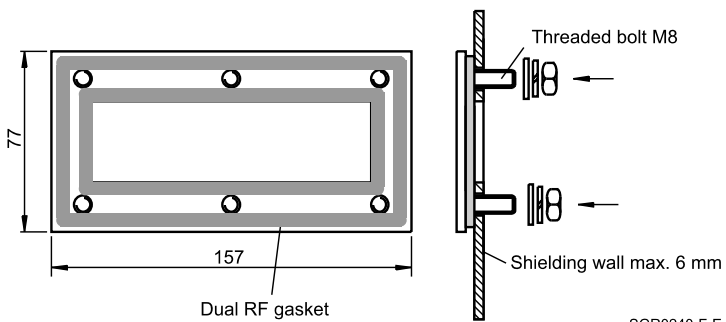
Dummy panel for fixing holes

Ordering code: B84298M0012C001

for communication line filters B84312C*H...

The dummy panel will be delivered with all parts needed to close an opening for communication line filters with 10 pairs (B84312CH...) RF-tight up to 40 GHz.

Dimensional drawing





Adapter flange for fixing holes

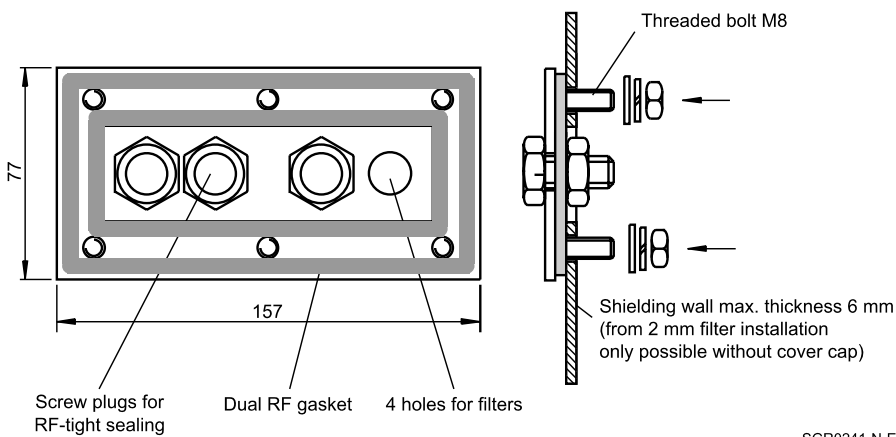
Ordering code: B84298M0012C002

for communication line filters B84312C*H... (10 pairs/20 lines).

The adapter flange enables installation of up to four 2-line filters (B84312C*B...) or 4-line filters (B84312C*E...) RF-tight up to 40 GHz. It comes with all parts needed.

With the adapter flange you get 3 screw plugs for RF-tight sealing of unused holes.

Dimensional drawing



SGR0241-N-E

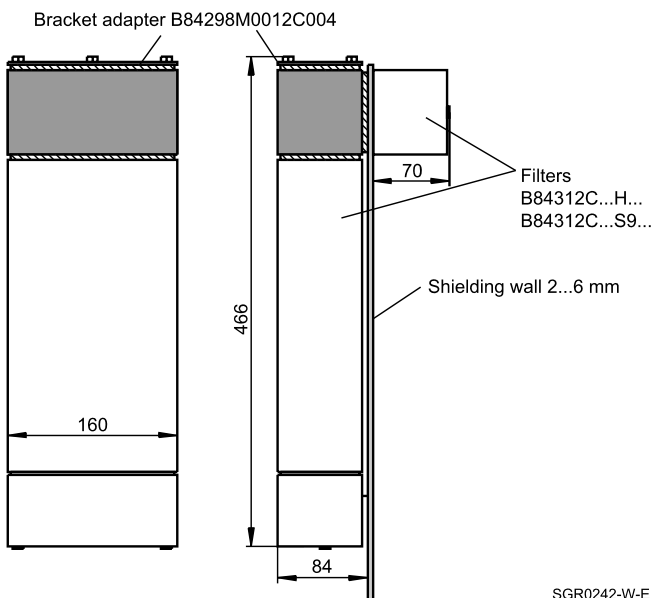


Bracket adapter for communication line filters with 10 pairs

Ordering code: B84298M0012C004

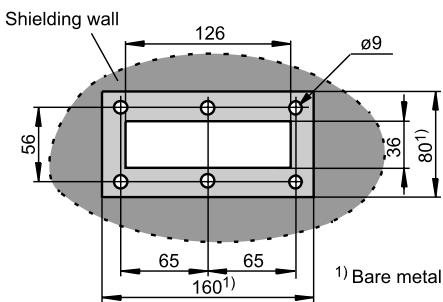
The bracket adapter allows flat installation of a communication line filters with 10 pairs (B84312C*H...) on the shielding wall.

Dimensional drawing



SGR0242-W-E

Installation section



SGR0243-5-E