

GENERAL DESCRIPTION

The HI-8282A is a silicon gate CMOS device for interfacing the ARINC 429 serial data bus to a 16-bit parallel data bus. Two receivers and an independent transmitter are provided. The receiver input circuitry and logic are designed to meet the ARINC 429 specifications for loading, level detection, timing, and protocol. The transmitter section provides the ARINC 429 communication protocol. Additional interface circuitry such as the Holt HI-8585, HI-8586 or HI-3182 is required to translate the 5 volt logic outputs to ARINC 429 drive levels.

The 16-bit parallel data bus exchanges the 32-bit ARINC data word in two steps when either loading the transmitter or interrogating the receivers. The data bus interfaces with CMOS and TTL.

Timing of all the circuitry begins with the master clock input, CLK. For ARINC 429 applications, the master clock frequency is 1 MHz.

Each independent receiver monitors the data stream with a sampling rate 10 times the data rate. The sampling rate is software selectable at either 1MHz or 125KHz. The results of a parity check are available as the 32nd ARINC bit. The HI-8282A examines the null and data timings and will reject erroneous patterns. For example, with a 125 KHz clock selection, the data frequency must be between 10.4 KHz and 15.6 KHz.

The transmitter has a First In, First Out (FIFO) memory to store 8 ARINC words for transmission. The data rate of the transmitter is software selectable by dividing the master clock, CLK, by either 10 or 80. The master clock is used to set the timing of the ARINC transmission within the required resolution.

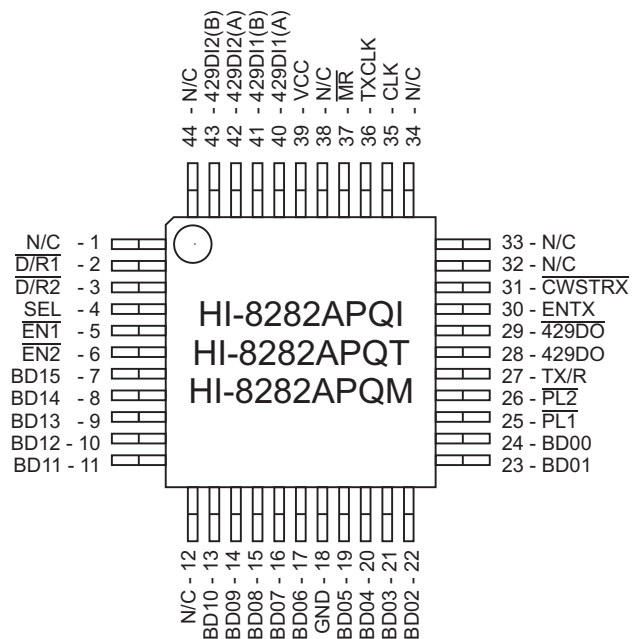
APPLICATIONS

- Avionics data communication
- Serial to parallel conversion
- Parallel to serial conversion

FEATURES

- ARINC specification 429 compliant
- Alternate source to Intersil HS-3282 in all ARINC 429 applications
- Small footprint 44-pin QFP package option
- 16-Bit parallel data bus
- Direct receiver interface to ARINC bus
- Timing control 10 times the data rate
- Selectable data clocks
- Automatic transmitter data timing
- 8 word transmit FIFO
- Receiver error rejection per ARINC specification 429
- Self test mode
- Parity functions
- Low power, single 5 volt supply
- Industrial & extended temperature ranges

PIN CONFIGURATION (Top View)



44-Pin Plastic Quad Flat Pack (PQFP)

(See page 10 for additional Package Pin Configurations)

PIN DESCRIPTION

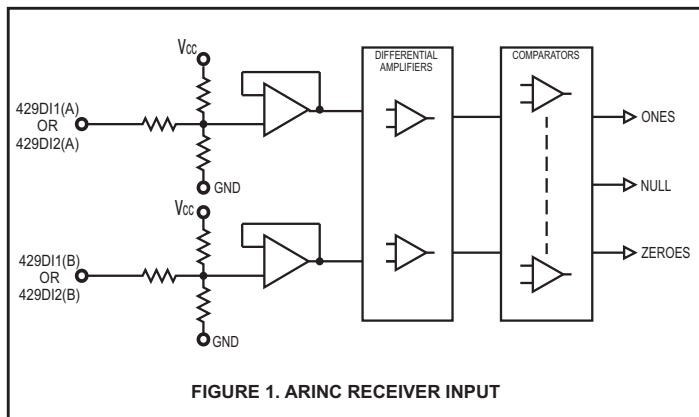
| SYMBOL | FUNCTION | DESCRIPTION |
|--------------------|----------|-----------------------------------------------------------------------------------------------------------------|
| VCC | POWER | +5V ±5% |
| 429DI1 (A) | INPUT | ARINC receiver 1 positive input |
| 429DI1 (B) | INPUT | ARINC receiver 1 negative input |
| 429DI2 (A) | INPUT | ARINC receiver 2 positive input |
| 429DI2 (B) | INPUT | ARINC receiver 2 negative input |
| $\overline{D/R1}$ | OUTPUT | Receiver 1 data ready flag |
| $\overline{D/R2}$ | OUTPUT | Receiver 2 data ready flag |
| SEL | INPUT | Receiver data byte selection (0 = BYTE 1) (1 = BYTE 2) |
| $\overline{EN1}$ | INPUT | Data Bus control, enables receiver 1 data to outputs |
| $\overline{EN2}$ | INPUT | Data Bus control, enables receiver 2 data to outputs if $\overline{EN1}$ is high |
| BD15 | I/O | Data Bus |
| BD14 | I/O | Data Bus |
| BD13 | I/O | Data Bus |
| BD12 | I/O | Data Bus |
| BD11 | I/O | Data Bus |
| BD10 | I/O | Data Bus |
| BD09 | I/O | Data Bus |
| BD08 | I/O | Data Bus |
| BD07 | I/O | Data Bus |
| BD06 | I/O | Data Bus |
| GND | POWER | 0 V |
| BD05 | I/O | Data Bus |
| BD04 | I/O | Data Bus |
| BD03 | I/O | Data Bus |
| BD02 | I/O | Data Bus |
| BD01 | I/O | Data Bus |
| BD00 | I/O | Data Bus |
| $\overline{PL1}$ | INPUT | Latch enable for byte 1 entered from data bus to transmitter FIFO. |
| $\overline{PL2}$ | INPUT | Latch enable for byte 2 entered from data bus to transmitter FIFO. Must follow $\overline{PL1}$. |
| TX/R | OUTPUT | Transmitter ready flag. Goes low when ARINC word loaded into FIFO. Goes high after transmission and FIFO empty. |
| 429DO | OUTPUT | "ONES" data output from transmitter. |
| $\overline{429DO}$ | OUTPUT | "ZEROES" data output from transmitter. |
| ENTX | INPUT | Enable Transmission |
| \overline{CWSTR} | INPUT | Clock for control word register |
| CLK | INPUT | Master Clock input |
| TX CLK | OUTPUT | Transmitter Clock equal to Master Clock (CLK), divided by either 10 or 80. |
| \overline{MR} | INPUT | Master Reset, active low |

FUNCTIONAL DESCRIPTION

CONTROL WORD REGISTER

The HI-8282A contains 10 data flip flops whose D inputs are connected to the data bus and clocks connected to CWSTR. Each flip flop provides options to the user as follows:

| DATA BUS PIN | FUNCTION | CONTROL | DESCRIPTION |
|--------------|----------------------|--------------------|--------------------------------------------------------------------------------------------------|
| BDO5 | SELF TEST | 0 = ENABLE | If enabled, an internal connection is made passing 429DO and 429D0 to the receiver logic inputs |
| BDO6 | RECEIVER 1 DECODER | 1 = ENABLE | If enabled, ARINC bits 9 and, 10 must match the next two control word bits |
| BDO7 | - | - | If Receiver 1 Decoder is enabled, the ARINC bit 9 must match this bit |
| BDO8 | - | - | If Receiver 1 Decoder is enabled, the ARINC bit 10 must match this bit |
| BDO9 | RECEIVER 2 DECODER | 1 = ENABLE | If enabled, ARINC bits 9 and 10 must match the next two control word bits |
| BD10 | - | - | If Receiver 2 Decoder is enabled, then ARINC bit 9 must match this bit |
| BD11 | - | - | If Receiver 2 Decoder is enabled, then ARINC bit 10 must match this bit |
| BD12 | INVERT XMTR PARITY | 1 = ENABLE | Logic 0 enables normal odd parity and Logic 1 enables even parity output in transmitter 32nd bit |
| BD13 | XMTR DATA CLK SELECT | 0 = +10 1 = +80 | CLK is divided either by 10 or 80 to obtain XMTR data clock |
| BD14 | RCVR DTA CLK SELECT | 0 = +10 1 = +80 | CLK is divided either by 10 or 80 to obtain RCVR data clock |



ARINC 429 DATA FORMAT

The following table shows the bit positions in exchanging data with the receiver or transmitter. ARINC bit 1 is the first bit transmitted or received.

| BYTE 1 | | | | | | | | | | | | | | | | |
|-----------|-------|-------|-------|-------|-------|-------|-------|-------|-------|-------|-------|-------|-------|-------|-------|-------|
| DATA BUS | BD 15 | BD 14 | BD 13 | BD 12 | BD 11 | BD 10 | BD 09 | BD 08 | BD 07 | BD 06 | BD 05 | BD 04 | BD 03 | BD 02 | BD 01 | BD 00 |
| ARINC BIT | 13 | 12 | 11 | 10 | 9 | 31 | 30 | 32 | 1 | 2 | 3 | 4 | 5 | 6 | 7 | 8 |

| BYTE 2 | | | | | | | | | | | | | | | | |
|-----------|-------|-------|-------|-------|-------|-------|-------|-------|-------|-------|-------|-------|-------|-------|-------|-------|
| DATA BUS | BD 15 | BD 14 | BD 13 | BD 12 | BD 11 | BD 10 | BD 09 | BD 08 | BD 07 | BD 06 | BD 05 | BD 04 | BD 03 | BD 02 | BD 01 | BD 00 |
| ARINC BIT | 29 | 28 | 27 | 26 | 25 | 24 | 23 | 22 | 21 | 20 | 19 | 18 | 17 | 16 | 15 | 14 |

THE RECEIVERS

ARINC BUS INTERFACE

Figure 1 shows the input circuit for each receiver. The ARINC 429 specification requires the following detection levels:

| STATE | DIFFERENTIAL VOLTAGE |
|-------|--------------------------|
| ONE | +6.5 Volts to +13 Volts |
| NULL | +2.5 Volts to -2.5 Volts |
| ZERO | -6.5 Volts to -13 Volts |

The HI-8282A guarantees recognition of these levels with a common mode Voltage with respect to GND less than ±5V for the worst case condition (4.75V supply and 13v signal level).

Design tolerances guarantee detection of the above levels, so the actual acceptance ranges are slightly larger. If the ARINC signal is out of the actual acceptance ranges, including the nulls, the chip rejects the data.

HI-8282A-10

The HI-8282A-10 option is similar to the HI-8282A with the exception that it allows an external 10K to 15K ohm resistor to be added in series with each ARINC input without affecting the ARINC input thresholds. This option is especially useful in applications where lightning protection circuitry is also required.

Each side of the ARINC bus must be connected through a 10K to 15K ohm series resistor in order for the chip to detect the correct ARINC levels. The typical 10 volt differential signal is translated and input to a window comparator and latch. The comparator levels are set so that with the external 10K to 15K ohm resistors, they are just below the standard 6.5 V minimum ARINC data threshold and just above the 2.5 V maximum ARINC null threshold.

The receivers of the HI-8282A-10, when used with external 15K ohm resistors, will withstand DO-160F, Level 3, waveforms 3, 4, 5A and 5B pin injection. No additional lightning protection circuit is necessary.

Please refer to the Holt AN-300 Application Note for additional information and recommendations on lightning protection of Holt Line Drivers and Receivers.

RECEIVER LOGIC OPERATION

Figure 2 (next page) is a block diagram for each receiver's logic.

FUNCTIONAL DESCRIPTION (cont.)

TRANSMITTER

A block diagram of the transmitter section is shown in Figure 3.

FIFO OPERATION

The FIFO is loaded sequentially by first pulsing $\overline{PL1}$ to load byte 1 and then $\overline{PL2}$ to load byte 2. The control logic automatically loads the 31 bit word in the next available position of the FIFO. If TX/R, the transmitter ready flag, is high (FIFO empty), then 8 words, each 31 bits long, may be loaded. If TX/R is low, then only the available positions may be loaded. If all 8 positions are full, the FIFO ignores further attempts to load data.

DATA TRANSMISSION

When ENTX goes high, enabling transmission, the FIFO positions are incremented with the top register loading into the data transmission shift register. Within 2.5 data clocks the first data bit appears at either 429DO or $\overline{429DO}$. The 31 bits in the data transmission shift register are presented sequentially to the outputs in the ARINC 429 format with the following timing:

| | HIGH SPEED | LOW SPEED |
|--------------------|------------|------------|
| ARINC DATABIT TIME | 10 Clocks | 80 Clocks |
| DATABIT TIME | 5 Clocks | 40 Clocks |
| NULL BIT TIME | 5 Clocks | 40 Clocks |
| WORD GAP TIME | 40 Clocks | 320 Clocks |

The word counter detects when all loaded positions are transmitted and sets the transmitter ready flag, TX/R, high.

TRANSMITTER PARITY

The parity generator counts the ONES in the 31-bit word. If the

BD12 control word bit is set low, the 32nd bit transmitted will make parity odd. If the control bit is high, the parity is even.

SELF TEST

If the BD05 control word bit is set low, 429DO or $\overline{429DO}$ are internally connected to the receivers inputs, bypassing the interface circuitry. Data to Receiver 1 is as transmitted and data to Receiver 2 is the complement. 429DO and $\overline{429DO}$ outputs remain active during self test.

SYSTEM OPERATION

The two receivers are independent of the transmitter. Therefore, control of data exchanges is strictly at the option of the user. The only restrictions are:

1. The received data may be overwritten if not retrieved within one ARINC word cycle.
2. The FIFO can store 8 words maximum and ignores attempts to load additional data if full.
3. Byte 1 of the transmitter data must be loaded first.
4. Either byte of the received data may be retrieved first. Both bytes must be retrieved to clear the data ready flag.
5. After ENTX, transmission enable, goes high it cannot go low until TX/R, transmitter ready flag, goes high. Otherwise, one ARINC word is lost during transmission.

MASTER RESET (\overline{MR})

Upon Master Reset, data transmission and reception are immediately terminated, the transmit FIFO and receivers cleared as are the transmit and receive flags. The Control Word register is not affected by a Master Reset.

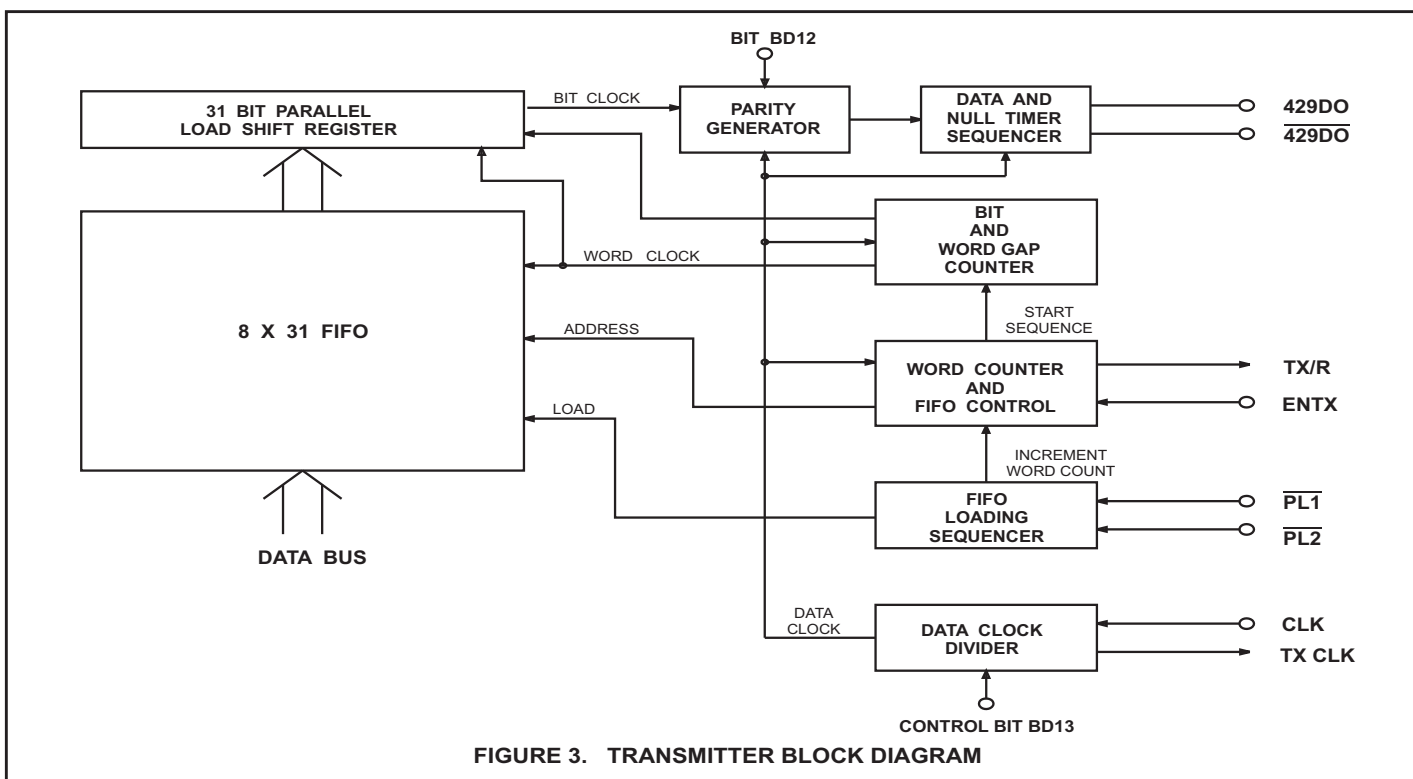


FIGURE 3. TRANSMITTER BLOCK DIAGRAM

FUNCTIONAL DESCRIPTION (cont.)

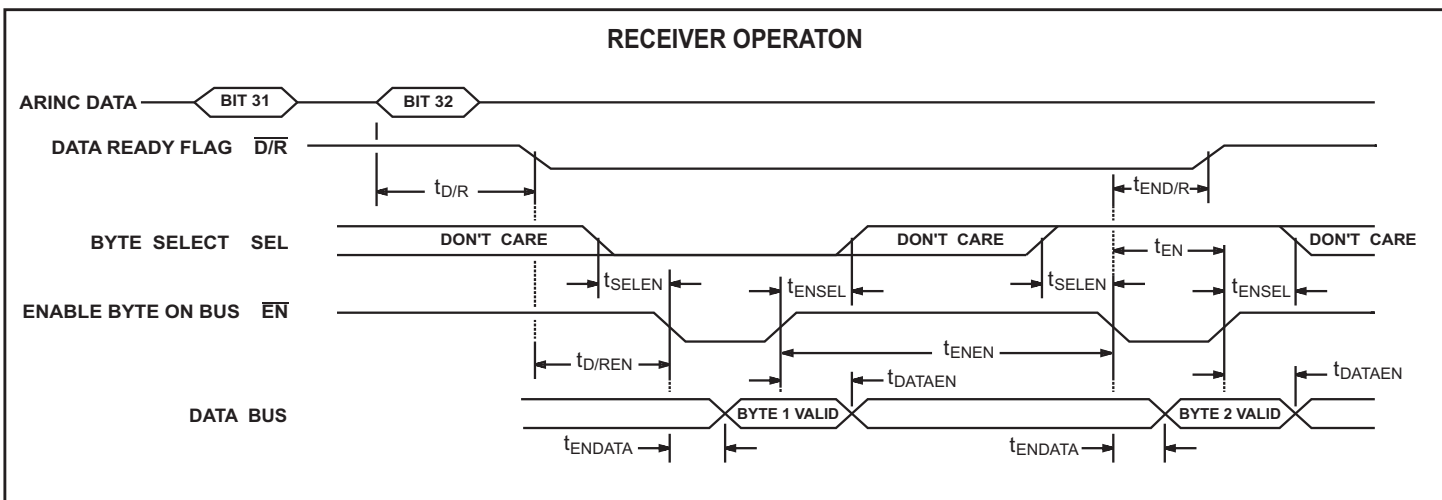
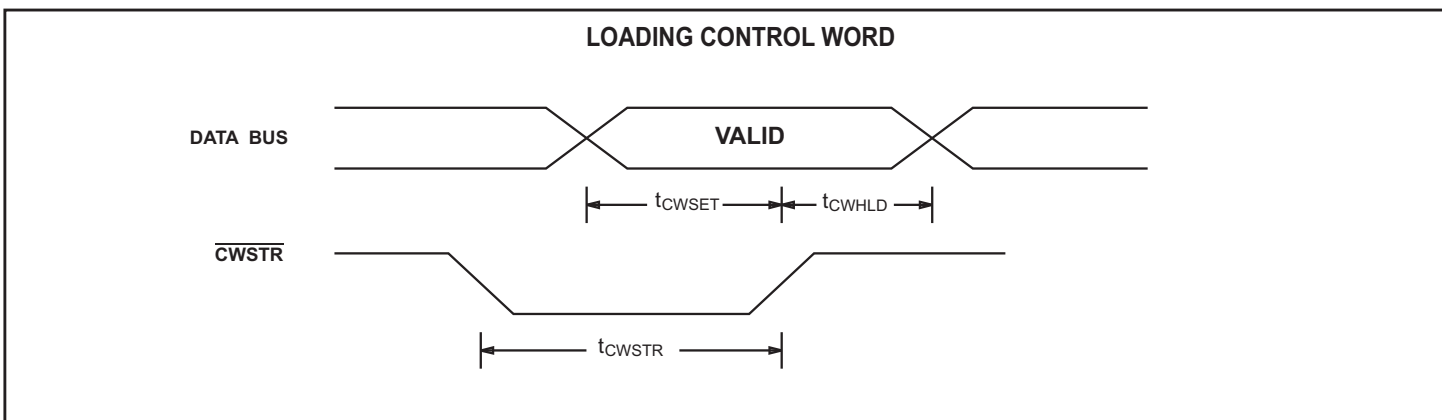
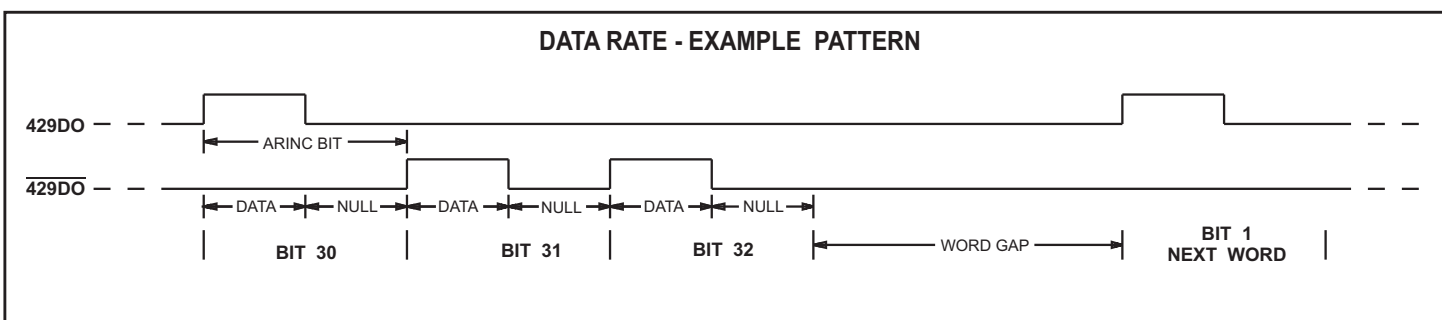
REPEATER OPERATION

Repeater mode of operation allows a data word received by the HI-8282 to be placed directly into the Transmit FIFO for transmission. After a 32-bit word has been shifted into the receiver shift register, the $\overline{D/R}$ flag goes low. A logic "0" is placed on the SEL line and \overline{EN} is strobed. This is the same procedure as for normal receiver operation, placing the lower byte (16) of the data word on the data bus. By strobing $\overline{PL1}$ at the same time as \overline{EN} , the byte is also transferred into the Transmit FIFO. SEL is then taken high and \overline{EN} is strobed again to place the upper data

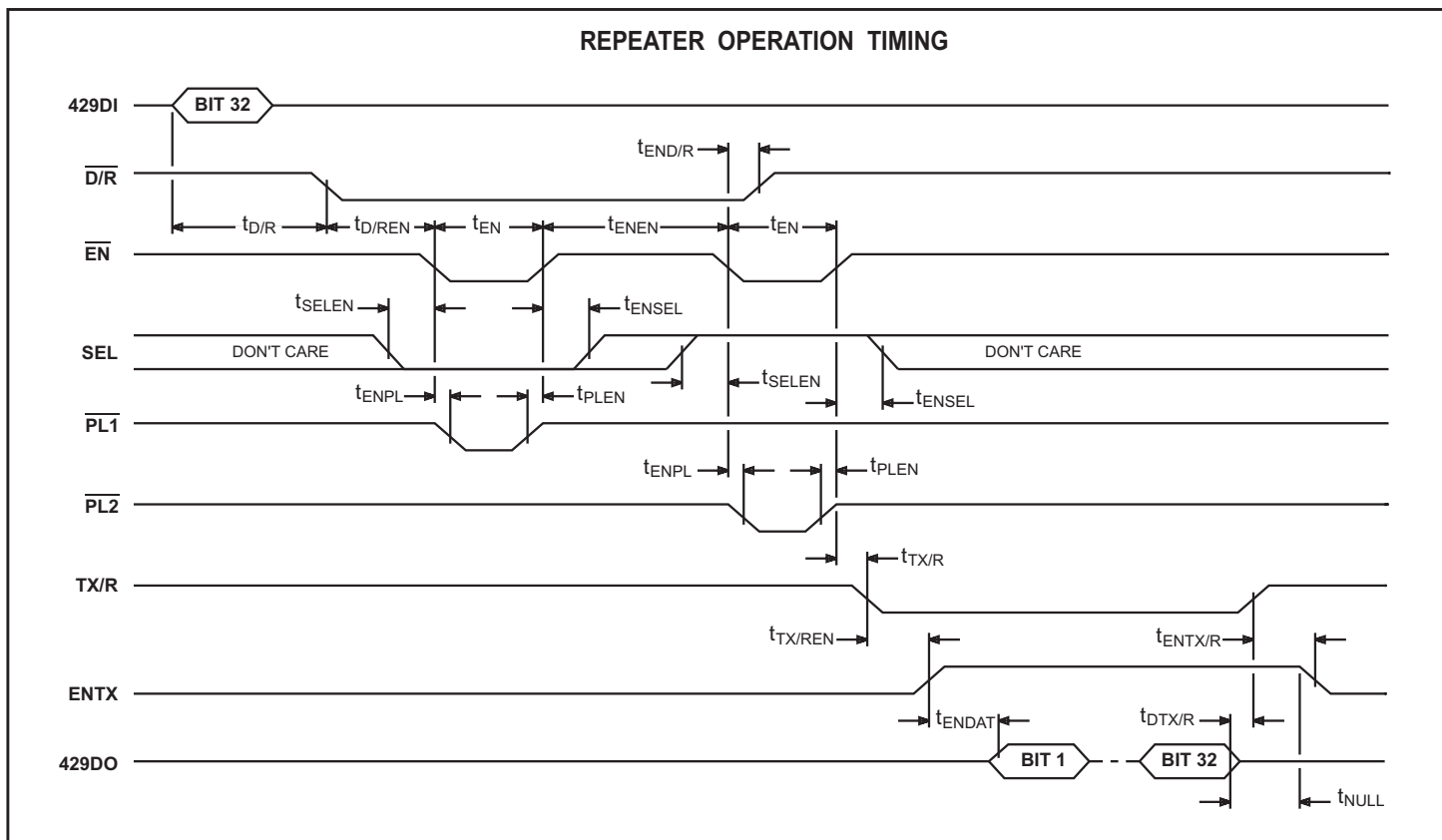
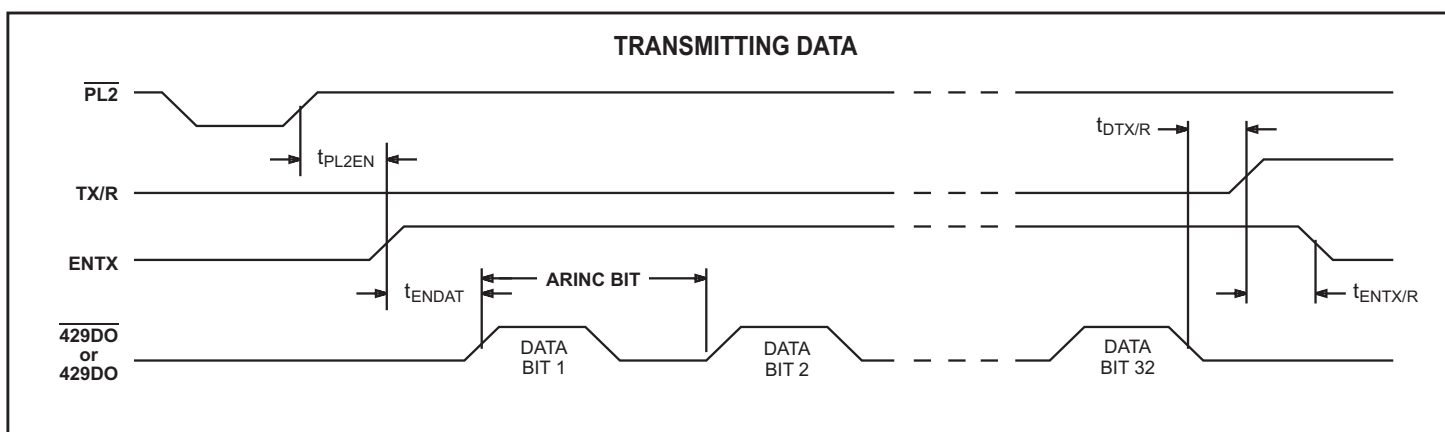
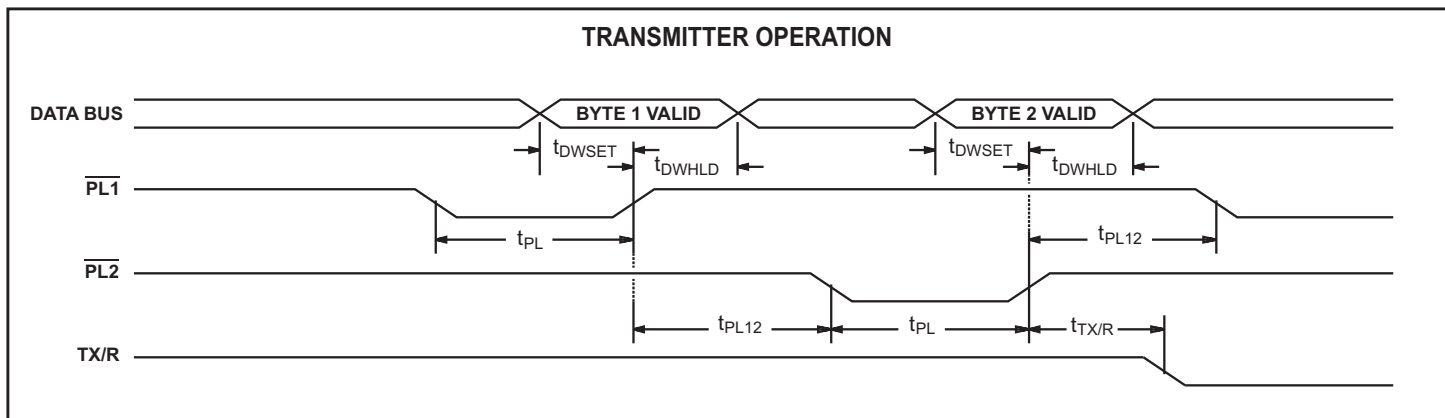
word byte onto the data bus. By strobing $\overline{PL2}$ at the same time as \overline{EN} , the second data word byte is also transferred to the Transmit FIFO. The data word is now ready for transmission, according to the parity programmed into the Control Word register.

In normal (non-repeater) operation, either byte of the received data word may be read first by using the SEL input. During repeater operation however, data word lower byte must always be read first. While the data is being read, it is loading concurrently into the Transmit FIFO, which always loads lower byte first.

TIMING DIAGRAMS



TIMING DIAGRAMS (cont.)



ABSOLUTE MAXIMUM RATINGS

| | | | |
|------------------------------------------|--------------------------|-----------------------------------------------------|---------------------|
| Supply Voltage V_{CC} | -0.3V to +7V | Power Dissipation | 500mW |
| Voltage at ARINC Inputs | -29V to +29V | Operating Temperature Range: (Industrial) | -40°C to +85°C |
| Voltage at any other pin | -0.3V to $V_{CC} + 0.3V$ | | (Hi-Temp) |
| DC Current Drain per input pin | 10mA | Storage Temperature Range: | -65°C to +150°C |

NOTE: Stresses above those listed under "Absolute Maximum Ratings" may cause permanent damage to the device. These are stress ratings only. Functional operation of the device at these or any other conditions above those indicated in the operational sections of the specifications is not implied. Exposure to absolute maximum rating conditions for extended periods may affect device reliability.

DC ELECTRICAL CHARACTERISTICS

$V_{CC} = 5V \pm 5\%$, $GND = 0V$, $T_A =$ Operating Temperature Range (unless otherwise specified).

| PARAMETER | SYMBOL | CONDITIONS | LIMITS | | | UNIT |
|---------------------------------------------------------------------------------------------------------------------------------------------------------|--------------------------|------------|--------|-------|------|-----------|
| | | | MIN | TYP | MAX | |
| ARINC INPUTS - 429DI1 (A), 429DI1 (B), 429DI2 (A) & 429DI2 (B) | | | | | | |
| Differential Input Voltage: | ONE | V_{IH} | 6.5 | 10.0 | 13.0 | V |
| | ZERO | V_{IL} | -13.0 | -10.0 | -6.5 | V |
| | NULL | V_{NUL} | -2.5 | 0 | 2.5 | V |
| Input Resistance: | Differential | R_I | 12 | | | $K\Omega$ |
| | To GND | R_G | 12 | 27 | | $K\Omega$ |
| | To V_{CC} | R_H | 12 | 27 | | $K\Omega$ |
| Input Current: | Input Sink | I_{IH} | | | 200 | μA |
| | Input Source | I_{IL} | -450 | | | μA |
| Input Capacitance: (Guaranteed but not tested) | Differential | C_I | | | 20 | pF |
| | To GND | C_G | | | 20 | pF |
| | To V_{CC} | C_H | | | 20 | pF |
| | | | | | | |
| BI-DIRECTIONAL INPUTS - BD00 through BD15 | | | | | | |
| Input Voltage: | Input Voltage HI | V_{IH} | 2.1 | | | V |
| | Input Voltage LO | V_{IL} | | | 0.7 | V |
| Input Current: | Input Sink | I_{IH} | | | 1.5 | μA |
| | Input Source | I_{IL} | -1.5 | | | μA |
| ALL OTHER INPUTS - SEL, EN1, EN2, PL1, PL2, ENTX, CWSTR, CLK & MR | | | | | | |
| Input Voltage: | Input Voltage HI | V_{IH} | 3.5 | | | V |
| | Input Voltage LO | V_{IL} | | | 0.7 | V |
| Input Current: | Input Sink | I_{IH} | | | 10 | μA |
| | Input Source | I_{IL} | -20 | | | μA |
| OUTPUTS - $\overline{D/R1}$, $\overline{D/R2}$, BD00 through BD15, TX/R, 429DO, $\overline{429DO}$ & TX CLK | | | | | | |
| Output Voltage: | Logic "1" Output Voltage | V_{OH} | 2.7 | | | V |
| | Logic "0" Output Voltage | V_{OL} | | | 0.4 | V |
| Output Current: (Bi-directional Pins) | Output Sink | I_{OL} | 3.0 | | | mA |
| | Output Source | I_{OH} | 1.1 | | | mA |
| Output Current: (All Other Outputs) | Output Sink | I_{OL} | 2.6 | | | mA |
| | Output Source | I_{OH} | 1.1 | | | mA |
| Output Capacitance: | | C_O | | | 15 | pF |
| SUPPLY INPUT - V_{CC} | | | | | | |
| Standby Supply Current: | | I_{CC1} | | | 20 | mA |
| Operating Supply Current: | | I_{CC2} | | | 20 | mA |

AC ELECTRICAL CHARACTERISTICS

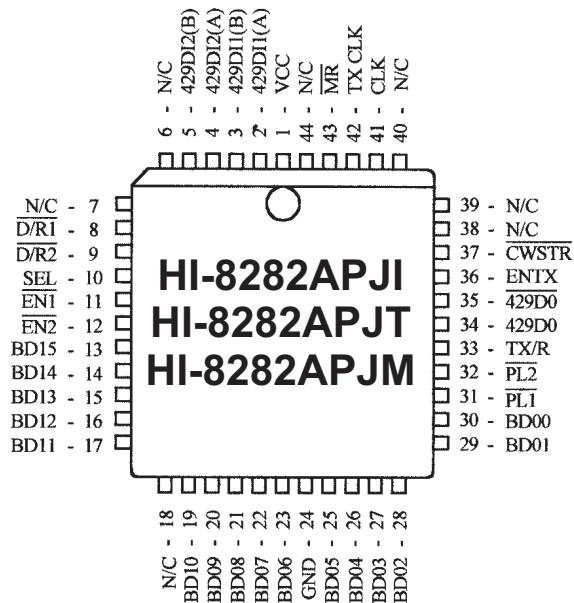
V_{cc} = 5V, GND = 0V, TA = Operating Temperature Range and f_{clk} = 1MHz ±0.1% with 60/40 duty cycle

| PARAMETER | SYMBOL | LIMITS | | | UNITS |
|------------------------------------------------------------------|---------------------|--------|-----|------|-------|
| | | MIN | TYP | MAX | |
| CONTROL WORD TIMING | | | | | |
| Pulse Width - \overline{CWSTR} | t _{CWSTR} | 130 | | | ns |
| Setup - DATA BUS Valid to \overline{CWSTR} HIGH | t _{CWSET} | 130 | | | ns |
| Hold - \overline{CWSTR} HIGH to DATA BUS Hi-Z | t _{CWHLd} | 0 | | | ns |
| RECEIVER TIMING | | | | | |
| Delay - Start ARINC 32nd Bit to $\overline{D/R}$ LOW: High Speed | t _{d/R} | | | 16 | μs |
| Delay - Start ARINC 32nd Bit to $\overline{D/R}$ LOW: Low Speed | t _{d/R} | | | 128 | μs |
| Delay - $\overline{D/R}$ LOW to \overline{EN} LOW | t _{d/REN} | 0 | | | ns |
| Delay - \overline{EN} LOW to $\overline{D/R}$ HIGH | t _{END/R} | | | 200 | ns |
| Setup - SEL to \overline{EN} LOW | t _{sELEN} | 20 | | | ns |
| Hold - SEL to \overline{EN} HIGH | t _{sENSEL} | 20 | | | ns |
| Delay - \overline{EN} LOW to DATA BUS Valid | t _{ENDATA} | | | 200 | ns |
| Delay - \overline{EN} HIGH to DATA BUS Hi-Z | t _{DATAEN} | | | 30 | ns |
| Pulse Width - $\overline{EN1}$ or $\overline{EN2}$ | t _{EN} | 200 | | | ns |
| Spacing - \overline{EN} HIGH to next \overline{EN} LOW | t _{ENEN} | 50 | | | ns |
| FIFO TIMING | | | | | |
| Pulse Width - $\overline{PL1}$ or $\overline{PL2}$ | t _{PL} | 200 | | | ns |
| Setup - DATA BUS Valid to \overline{PL} HIGH | t _{DWSET} | 110 | | | ns |
| Hold - \overline{PL} HIGH to DATA BUS Hi-Z | t _{DWHLd} | 10 | | | ns |
| Spacing - $\overline{PL1}$ or $\overline{PL2}$ | t _{PL12} | 0 | | | ns |
| Delay - $\overline{PL2}$ HIGH to TX/R LOW | t _{TX/R} | | | 840 | ns |
| TRANSMISSION TIMING | | | | | |
| Spacing - $\overline{PL2}$ HIGH to ENTX HIGH | t _{PL2EN} | 0 | | | μs |
| Delay - ENTX HIGH to TXA(OUT) or TXB(OUT): High Speed | t _{ENDAT} | | | 25 | μs |
| Delay - ENTX HIGH to TXA(OUT) or TXB(OUT): Low Speed | t _{ENDAT} | | | 200 | μs |
| Delay - 32nd ARINC Bit to TX/R HIGH | t _{DTX/R} | | | 400 | ns |
| Spacing - TX/R HIGH to ENTX LOW | t _{ENTX/R} | 0 | | | ns |
| REPEATER OPERATION TIMING | | | | | |
| Delay - \overline{EN} LOW to \overline{PL} LOW | t _{ENPL} | 0 | | | ns |
| Hold - \overline{PL} HIGH to \overline{EN} HIGH | t _{PLEN} | 0 | | | ns |
| Delay - TX/R LOW to ENTX HIGH | t _{TX/REN} | 0 | | | ns |
| Master Reset Pulse Width | t _{MR} | 200 | | | ns |
| ARINC Data Rate and Bit Timing | | | | ± 1% | |

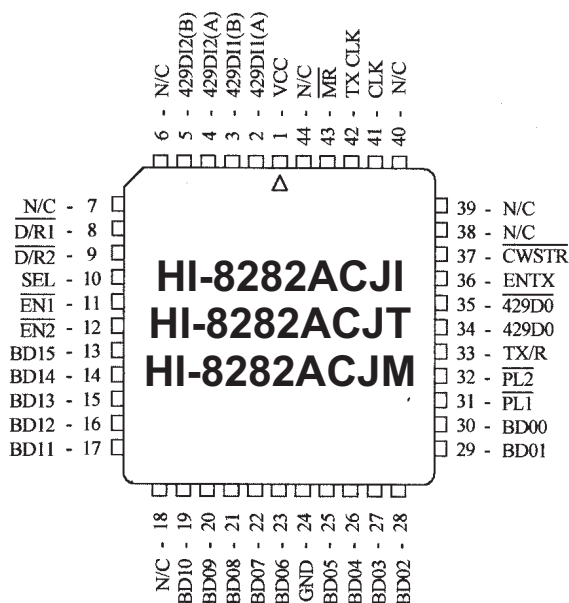
ADDITIONAL HI-8282A PIN CONFIGURATIONS

(See page 1 for the 44-pin Plastic Quad Flat Pack)

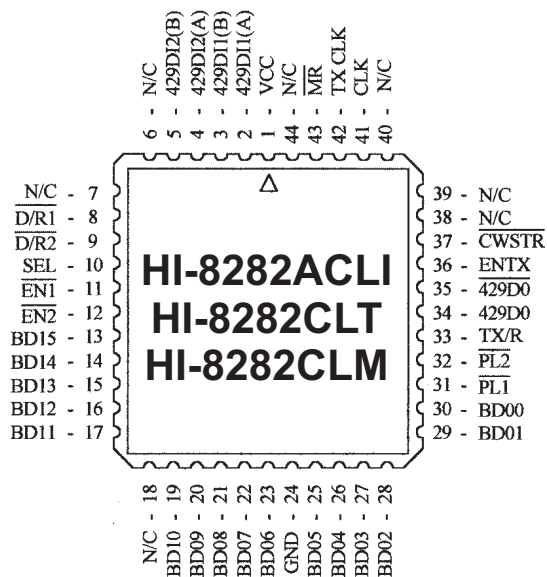
44-PIN PLASTIC PLCC



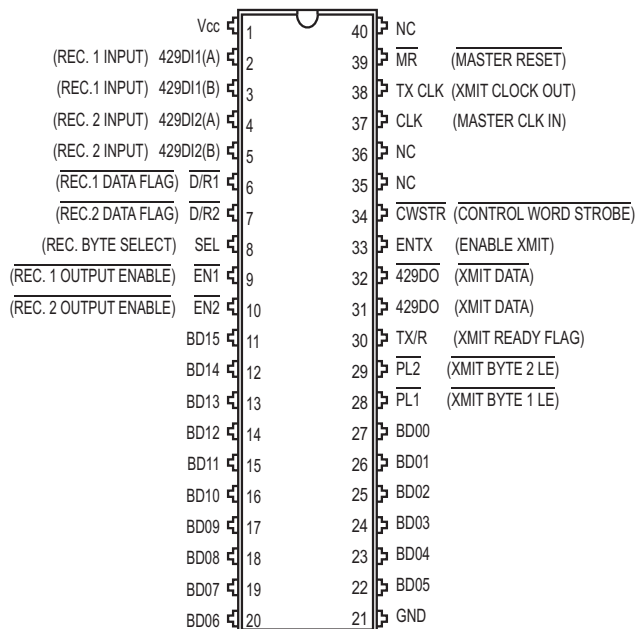
44-PIN J-LEAD CERQUAD



44-PIN CERAMIC LCC



40-PIN CERAMIC SIDE BRAZED DIP



HI-8282ACDI / CDT / CDM

ORDERING INFORMATION

HI - 8282A Cx x -xx (Ceramic)

| PART NUMBER | INPUT SERIES RESISTANCE | |
|----------------|-------------------------|---------------------|
| | BUILT-IN | REQUIRED EXTERNALLY |
| No dash number | 35 Kohm | 0 |
| -10 (Note 1) | 25 Kohm | 10K to 15K ohm |

| PART NUMBER | TEMPERATURE RANGE | FLOW | BURN IN | LEAD FINISH |
|-------------|-------------------|------|---------|-----------------------------|
| I | -40°C TO +85°C | I | NO | Gold |
| T | -55°C TO +125°C | T | NO | Gold |
| M | -55°C TO +125°C | M | YES | Tin / Lead (Sn / Pb) Solder |

| PART NUMBER | PACKAGE DESCRIPTION |
|-------------|--------------------------------------------|
| CD | 40 PIN CERAMIC SIDE BRAZED DIP (40C) |
| CJ | 44 PIN J-LEAD CERQUAD (44U) |
| CL | 44 PIN CERAMIC LEADLESS CHIP CARRIER (44S) |

HI - 8282A Px x x -xx (Plastic)

| PART NUMBER | INPUT SERIES RESISTANCE | |
|----------------|-------------------------|---------------------|
| | BUILT-IN | REQUIRED EXTERNALLY |
| No dash number | 35 Kohm | 0 |
| -10 (Note 1) | 25 Kohm | 10K to 15K ohm |

| PART NUMBER | LEAD FINISH |
|-------------|------------------------------------------|
| Blank | Tin / Lead (Sn / Pb) Solder |
| F | 100% Matte Tin (Pb-free, RoHS compliant) |

| PART NUMBER | TEMPERATURE RANGE | FLOW | BURN IN |
|-------------|-------------------|------|---------|
| I | -40°C TO +85°C | I | NO |
| T | -55°C TO +125°C | T | NO |
| M | -55°C TO +125°C | M | YES |

| PART NUMBER | PACKAGE DESCRIPTION |
|-------------|----------------------------------------|
| PJ | 44 PIN PLASTIC J-LEAD PLCC (44J) |
| PQ | 44 PIN PLASTIC QUAD FLAT PACK (44PTQS) |

NOTES:

1. The -10 configuration requires an external 10K to 15K ohm resistor in series with each ARINC input to guarantee specified voltage thresholds. The 15K ohm resistors are required to withstand DO-160F, Level 3, Waveforms 3, 4, 5A & 5B pin injection.

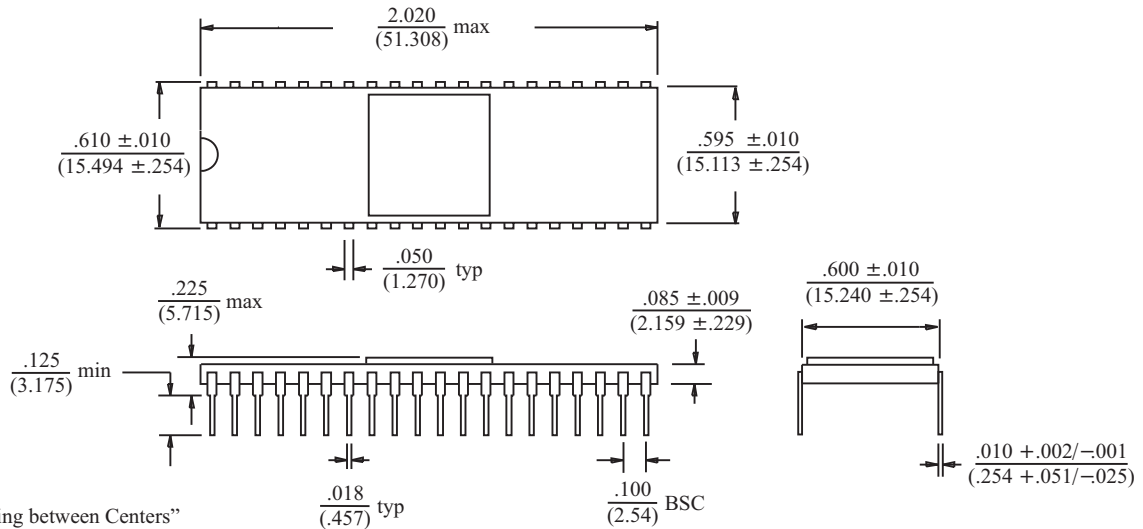
REVISION HISTORY

| Revision | Date | Description of Change |
|-----------------|----------|--------------------------------------------------------------------------------------------|
| DS8282A, Rev. G | 02/01/09 | Clarified the “T” temperature range. Clarified series resistance values for “-10” devices. |

40-PIN CERAMIC SIDE-BRAZED DIP

inches (millimeters)

Package Type: 40C

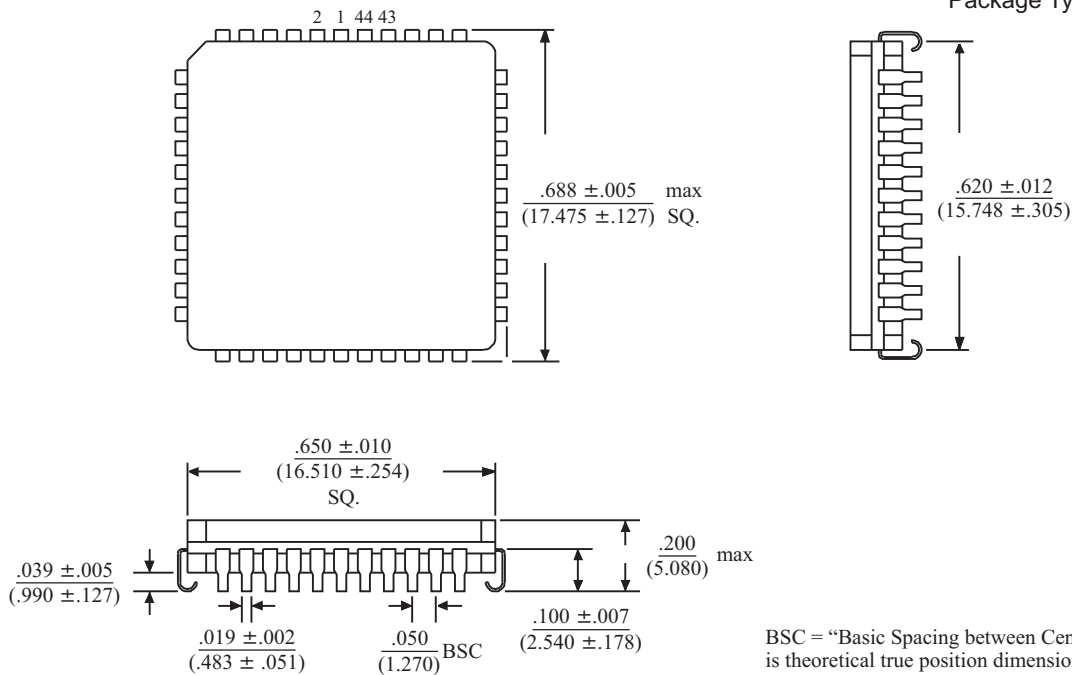


BSC = "Basic Spacing between Centers" is theoretical true position dimension and has no tolerance. (JEDEC Standard 95)

44-PIN J-LEAD CERQUAD

inches (millimeters)

Package Type: 44U

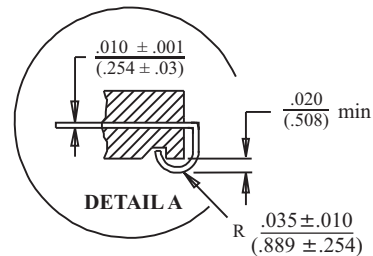
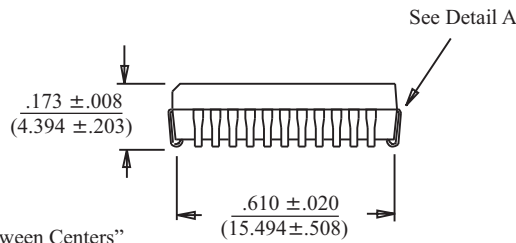
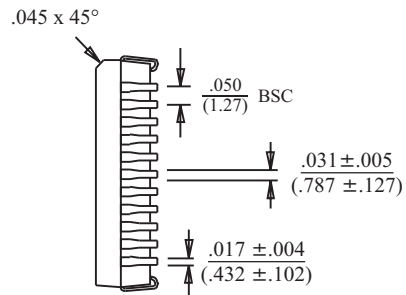
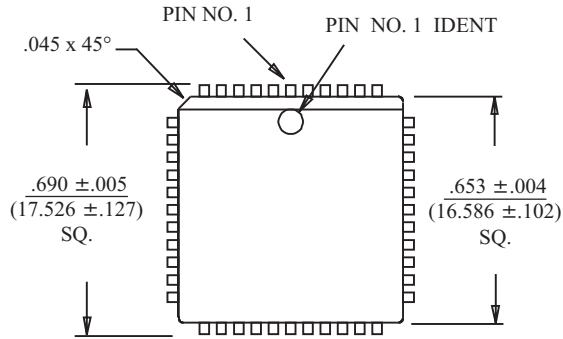


BSC = "Basic Spacing between Centers" is theoretical true position dimension and has no tolerance. (JEDEC Standard 95)

44-PIN PLASTIC PLCC

inches (millimeters)

Package Type: 44J

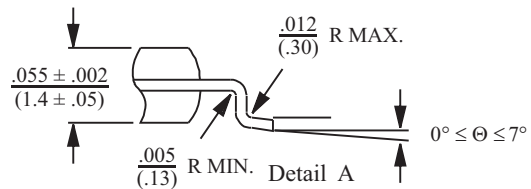
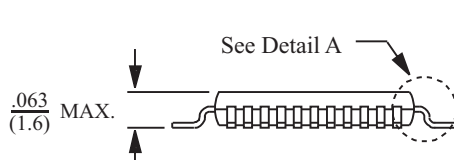
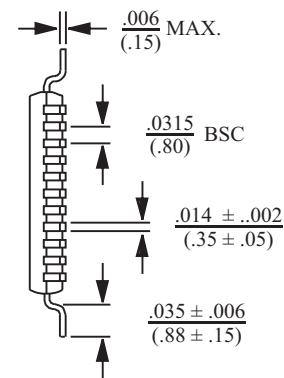
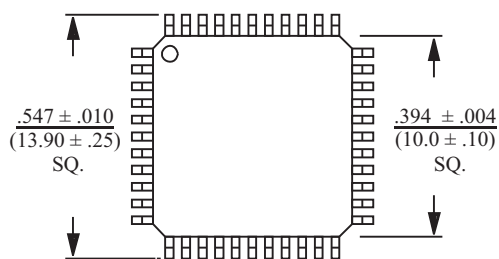


BSC = "Basic Spacing between Centers" is theoretical true position dimension and has no tolerance. (JEDEC Standard 95)

44-PIN PLASTIC QUAD FLAT PACK (PQFP)

inches (millimeters)

Package Type: 44PTQS

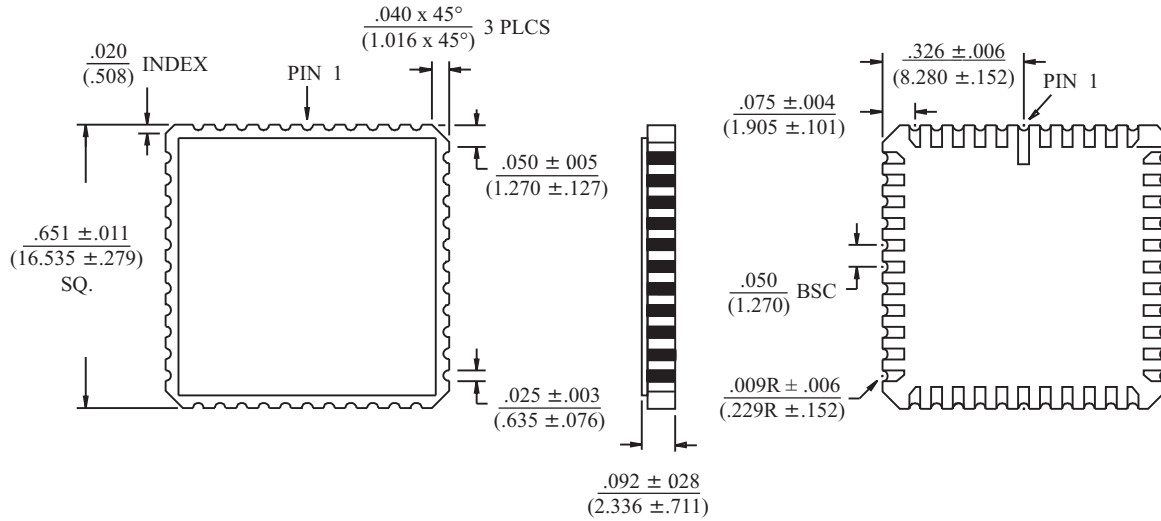


BSC = "Basic Spacing between Centers" is theoretical true position dimension and has no tolerance. (JEDEC Standard 95)

44-PIN CERAMIC LEADLESS CHIP CARRIER

inches (millimeters)

Package Type: 44S



BSC = "Basic Spacing between Centers" is theoretical true position dimension and has no tolerance. (JEDEC Standard 95)