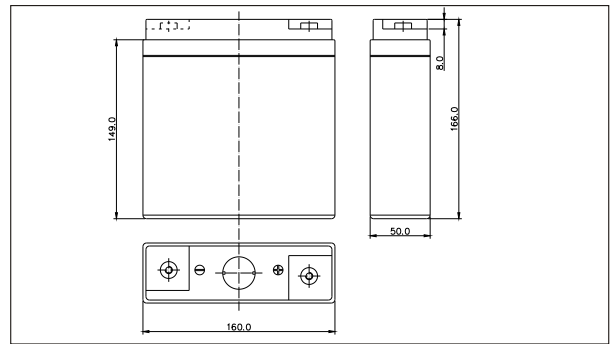




SW2500(2V50AH)



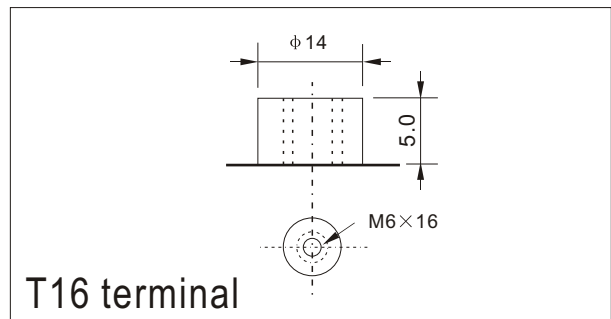
Outer dimensions (mm)



Specifications

Nominal Voltage	2 V	
Rated capacity (10 hour rate)	50 Ah	
Dimensions	Total Height	166 mm (6.53 inches)
	Height	166 mm (6.53 inches)
	Length	160 mm (6.30 inches)
	Width	50 mm (1.97 inches)
Weight Approx	2.8 Kg (6.17 lbs)	

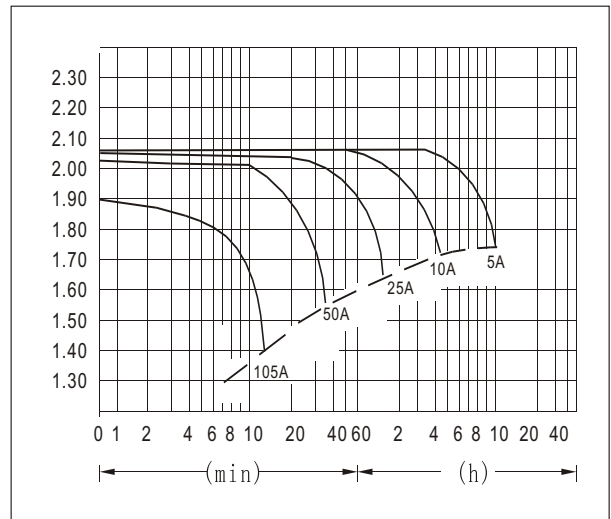
Terminal Type (mm)



Characteristics

Capacity 25°C(77°F)	10 hour rate(5A)	50 AH
	5 hour rate(8A)	40 AH
	1 hour rate(30A)	30 AH
Internal Resistance	Full charged Battery at 25°C(77°F)	1.5 mΩ
Capacity affected by Temperature (10hour rate)	40°C(104°F)	102%
	25°C(77°F)	100%
	0°C(32°F)	85%
	-15°C(5°F)	65%
Self-Discharge at 25°C(77°F)	Capacity after 3 month storage	91%
	Capacity after 6 month storage	82%
	Capacity after 12 month storage	64%
Terminal		T16
Charge (constant Voltage)	Cycle	Initial Charging Current less than 15 A Voltage 2.35-2.40V
	Float	Voltage 2.25-2.30V

Discharge Curves 25°C(77°F)



Time		5min	10min	15min	30min	1h	2h	3h	4h	5h	8h	10h	20h
1.60V	A	160	106	85	57	30	17.5	12.9	10.0	8.3	5.9	5.3	2.8
	W	275	188	152	102	54	32	23.8	18.8	15.6	11.2	10.1	5
1.70V	A	155	95	80	55	28	16.7	12.5	9.8	8.1	5.7	5.2	2.8
	W	276	177	149	102	53	32	24.1	18.9	15.7	11.1	10.1	5.4
1.75V	A	150	85	70	51	27	16.3	12.2	9.6	8.0	5.7	5.1	2.8
	W	273	161	133	98	53	32	23.7	18.7	15.6	11.1	10.0	5.4
1.80V	A	145	80	65	47	26	15.9	11.9	9.5	7.8	5.5	5.0	2.7
	W	270	154	125	91	51	31	23.4	18.6	15.4	10.9	9.9	5.4
1.85V	A	140	75	60	42	26	15.5	11.5	9.2	7.6	5.4	4.8	2.6
	W	264	145	117	82	50	31	22.8	18.3	15.1	10.7	9.6	5.2