

PLEASE CHECK WWW.MOLEX.COM FOR LATEST PART INFORMATION

Part Number: [0743001123](#)

Status: **Active**

Overview: [hdm](#)

Description: 2.00mm (.079") Pitch HDM® Board-to-Board Daughtercard Receptacle, Vertical, Signal Module, with Guide, 144 Circuits, Mounted Height 13.00mm (.512"), Pin Length 2.00mm (.079"), Lead-Free

Documents:

[3D Model](#)

[Drawing \(PDF\)](#)

[Product Specification PS-73780-999 \(PDF\)](#)

[RoHS Certificate of Compliance \(PDF\)](#)

General

Product Family	Backplane Connectors
Series	74300
Application	Daughtercard, Mezzanine
Component Type	PCB Receptacle
Overview	hdm
Product Name	HDM®
Style	N/A

Physical

Circuits (Loaded)	144
Circuits (maximum)	144
Color - Resin	Black
Durability (mating cycles max)	250
First Mate / Last Break	No
Guide to Mating Part	Yes
Keying to Mating Part	None
Material - Metal	Copper-Nickel-Tin
Material - Plating Mating	Gold
Material - Plating Termination	Matte Tin
Material - Resin	High Temperature Thermoplastic
Number of Columns	24
Number of Pairs	Open Pin Field
Number of Rows	6
Orientation	Vertical
PC Tail Length (in)	0.079 In
PC Tail Length (mm)	2.00 mm
PCB Locator	No
PCB Retention	None
PCB Thickness Recommended (in)	0.063 In
PCB Thickness Recommended (mm)	1.60 mm
Packaging Type	Tube
Pitch - Mating Interface (in)	0.079 In
Pitch - Mating Interface (mm)	2.00 mm
Pitch - Term. Interface (in)	0.079 In
Pitch - Term. Interface (mm)	2.00 mm
Plating min: Mating (µin)	30
Plating min: Mating (µm)	0.76
Plating min: Termination (µin)	100
Plating min: Termination (µm)	2.50
Polarized to PCB	No
Stackable	Yes
Surface Mount Compatible (SMC)	Yes
Temperature Range - Operating	-55°C to +105°C
Termination Interface: Style	Through Hole - Compliant Pin

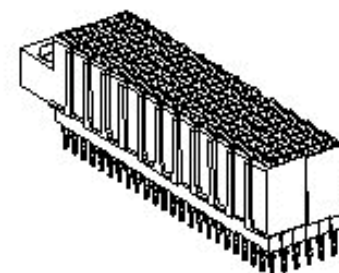


image - Reference only

Series

EU RoHS

**ELV and RoHS
Compliant**

REACH SVHC

Contains SVHC: No

Halogen-Free

Status

Not Reviewed

China RoHS



**Need more information on product
environmental compliance?**

Email productcompliance@molex.com
For a multiple part number RoHS Certificate of
Compliance, [click here](#)

Please visit the [Contact Us](#) section for any
non-product compliance questions.

Search Parts in this Series

[74300Series](#)

Mates With

HDM® Board-to-Board Backplane Header
[73642](#) , [73643](#) , [73644](#) , [74349](#) , [74428](#) ,
[73769](#) , [73781](#) , [73770](#) , [73782](#) , [73783](#) ,
[73771](#)

Electrical

Current - Maximum per Contact	1A
Data Rate	1.0 Gbps
Real Signals (per 25mm)	76
Shielded	Yes
Voltage - Maximum	250V AC

Solder Process Data

Duration at Max. Process Temperature (seconds)	5
Lead-free Process Capability	Wave Capable (TH only)
Max. Cycles at Max. Process Temperature	1
Process Temperature max. C	260

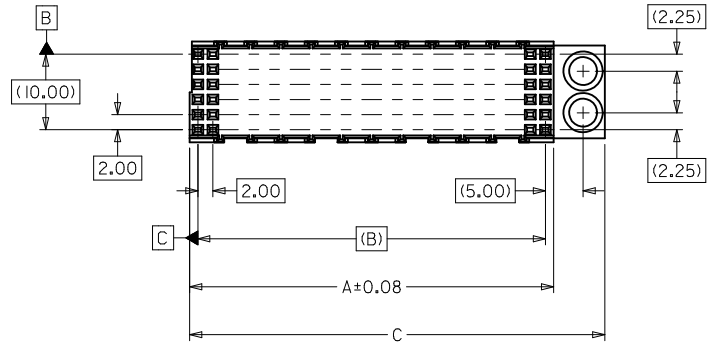
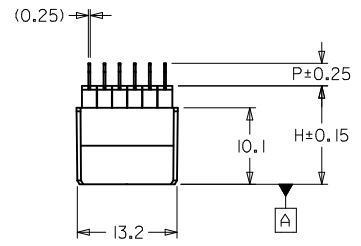
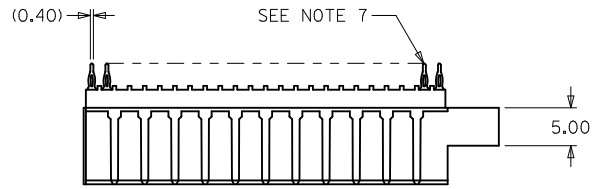
Material Info**Reference - Drawing Numbers**

Product Specification	PS-73780-999
Sales Drawing	SD-74300-004

HDM and High Density Metric are trademarks of Amphenol Corporation

This document was generated on 05/15/2010

PLEASE CHECK WWW.MOLEX.COM FOR LATEST PART INFORMATION



NOTES:

1. MATERIALS: HOUSING - LIQUID CRYSTAL POLYMER (LCP), GLASS-FILLED, 94V-0, COLOR: BLACK
TERMINALS - COPPER ALLOY
2. FINISH: GOLD (Au) .76 MICROMETER MINIMUM THICKNESS IN CONTACT AREA; SELECTIVE TIN (Sn) 2.50 MINIMUM THICKNESS ON SOLDER TAILS, .88 MINIMUM THICKNESS ON PRESS-FIT TAILS, NICKEL (Ni) OVERALL.
3. THIS PART CONFORMS TO MOLEX PRODUCT SPECIFICATION PS-73780-999.
4. 144-CKT DAUGHTERCARD STACKING MODULE SHOWN FOR ILLUSTRATION PURPOSES ONLY. SEE CHART FOR TABULATED DIMENSIONS.
5. 74300-***7 PARTS TO BE PACKAGED IN TUBES PER PK-70873-0872. ALL OTHER PARTS TO BE PACKAGED IN TUBES PER PK-70873-0900.
6. DEPENDING ON APPLICATION, THIS HOLE MAY BE NEEDED FOR CLEARANCE OF BACKPLANE GUIDE PIN. LOCATION OF HOLE WILL DEPEND ON LOCATION OF GUIDE PIN.
7. TRUE POSITION OF PC TAILS IS INSPECTED USING GAUGE NUMBER 73727-0014.

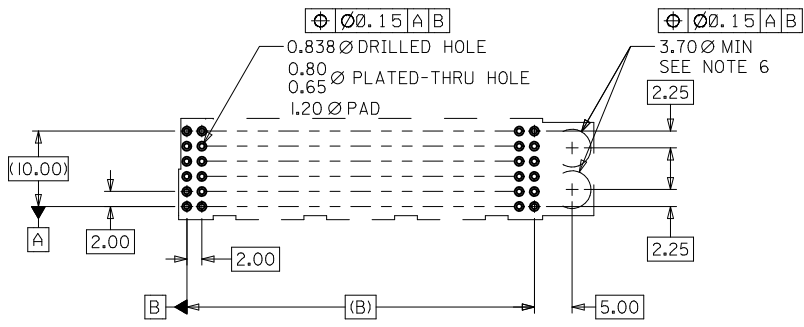
MATERIAL NUMBER ASSIGNMENT

74300 - * | * *

- 0 = 72-CKT SOLDER TAIL
 1 = 144-CKT SOLDER TAIL
 7 = 72-CKT PRESS-FIT
 8 = 144-CKT PRESS-FIT
- DIM "H"
 3 = 13.0
 4 = 14.0
 5 = 15.0
 6 = 16.0
 7 = 17.0

- DIM "P"
 2 = 2.00
 3 = 2.50
 *4 = 3.00
 *5 = 3.50
 *6 = 4.00

*PRESS-FIT AVAILABLE IN THESE TAIL LENGTHS ONLY



PCB LAYOUT: COMPONENT SIDE

74300-11**/-81**	144	48.17	46.00	54.95
74300-01**/-71**	72	24.17	22.00	30.95
MATERIAL NUMBER	CIRCUIT SIZE	DIM A	DIM B	DIM C

UPDATE TO L.F. ONLY
 EC NO: UCP2010-1860
 DRWN: JELTON 2010/01/25
 CHKD: SDANNELLEY 05/07/07
 APPR: SMILLER 2010/02/08

DESCRIPTION
 REV: B

QUALITY SYMBOLS
 ▽=0
 ▽=0
 ▽=0

GENERAL TOLERANCES (UNLESS SPECIFIED)
 mm INCH
 4 PLACES ± --- ± ---
 3 PLACES ± --- ± ---
 2 PLACES ± 0.05 ± ---
 1 PLACE ± 0.10 ± ---
 ANGULAR ± 1/2°

DRAFT WHERE APPLICABLE MUST REMAIN WITHIN DIMENSIONS

DIMENSION STYLE
MM ONLY

DRAWN BY DATE
 MIBARRA 05/07/07

CHECKED BY DATE
 BSMART 05/07/07

APPROVED BY DATE
 SMILLER 2010/02/08

MATERIAL NO.
SEE TABLE

SIZE
 C

SCALE
 DESIGN UNITS
METRIC

THIRD ANGLE PROJECTION

TITLE
SALES ASSY, HDM PB FREE DAUGHTERCARD STACKING MODULE, GUIDE OPTION

MOLEX INCORPORATED

DOCUMENT NO.
SD-74300-004

SHEET NO.
1 OF 1

THIS DRAWING CONTAINS INFORMATION THAT IS PROPRIETARY TO MOLEX INCORPORATED AND SHOULD NOT BE USED WITHOUT WRITTEN PERMISSION