

MATERIALS & SPECIFICATIONS

INSULATOR: LIQUID CRYSTAL POLYMER (LCP) PER ATSM D5138

CONTACT: COPPER ALLOY PER MIL-DTL-83513, GOLD PLATE PER ASTM B488, (HARD GOLD) TYPE II CODE C, CLASS 1.27

TERMINATION: 26 AWG (7-34) TYPE E, PER NEMA HP3, COLOR CODED PER TABLE

CURRENT CAPACITY 3 AMP MAX

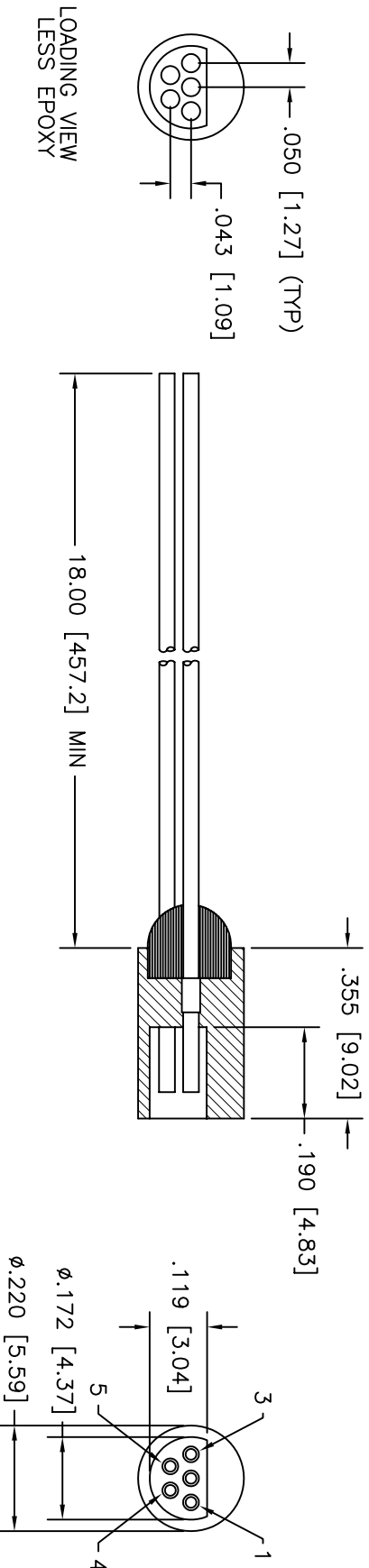
CONTACT RESISTANCE 65 MILLIOHM MAX

PERFORMANCE: TESTED TO AND PASSED THE PERFORMANCE

SPECIFICATIONS OF TABLE VII OF MIL-DTL-83513

PART NO.	A22003-001	REV	ECO	DATE	APP
	D	94225	01-16-07	TLM	

PIN #	COLOR
1	BLACK
2	BROWN
3	RED
4	ORANGE
5	YELLOW



INTERNAL USE ONLY
 USE MFG LOADING
 PROCEDURE MC-55

FOR LATEST REVISION OF DRAWING
 SEE OMNETICS WEBSITE: WWW.OMNETICS.COM

-TOLERANCES- UNLESS OTHERWISE NOTED		OMNETICS CONNECTOR CORPORATION		CAGE CODE 61873	
DIMENSIONS IN INCHES		DFTM. PER	DATE	TITLE:	
2 PL DEC	± .01	CHK'D.	DATE	(5) SOCKET FEMALE	
4 PL DEC	± .005	APP'D.	DATE	CIRCULAR	
ANGLES	±			CONNECTOR	
				SHEET OF	REV
				1 1	D
				SCALE: 4:1	