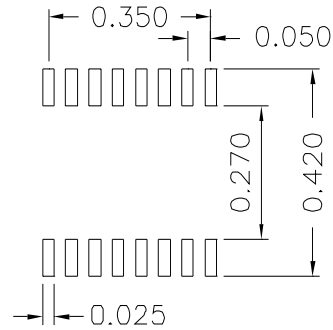
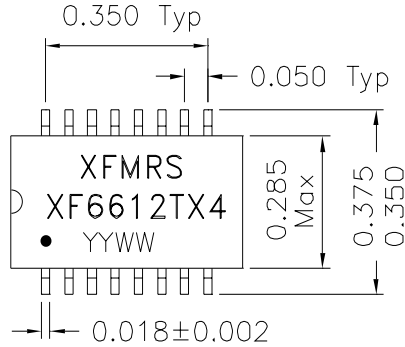
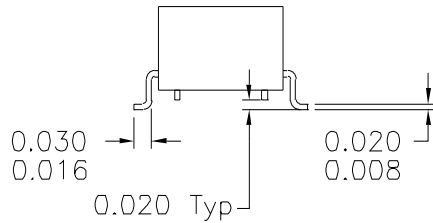
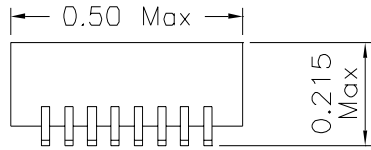
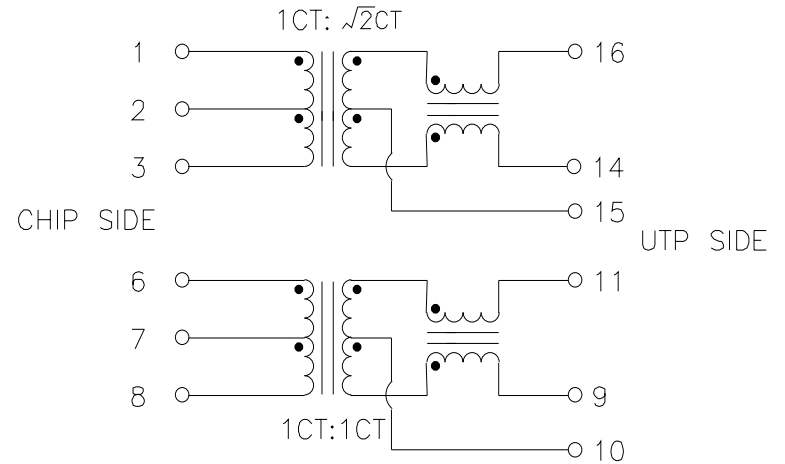


1. Dimensions:



SUGGESTED FOOTPRINT

2. Schematic:



3. Electrical Specifications: @25°C

- UTP Impedance: 100 OHMS
- Turns Ratio: TX : 1CT:1.41CT (±2%) RX : 1CT:1CT (±2%)
- Isolation Voltage: 1500 Vrms (Input to Output)
- UTP Side OCL: 350uH Minimum @100KHz, 100mV 8mADC
- Leakage L: 0.4uH Max 100KHz, 0.1V
- Rise Time (10-90%): 2.0ns Typical
- Insertion Loss (1M-100MHz): 1.0dB Maximum
- Return Loss(5-100MHz): 12dB Minimum
- CMRR (1-100MHz): -40dB Typical
- Crosstalk Attenuation: -40dB Minimum
- Pri DCR: 0.9 Ohms Max

DOC. REV: A/1

XFMRS INC		Title: 10/100 BASE MAGNETIC MODULE	
UNLESS OTHERWISE SPECIFIED TOLERANCES: .xxx ±0.010 Dimensions in Inch	P/N: XF6612TX4		REV. A
	DWN.	李清儿	Oct-27-99
	CHK.	孙小悦	Oct-27-99
SHEET 1 OF 1	APP.	Joe Huff	Oct-27-99