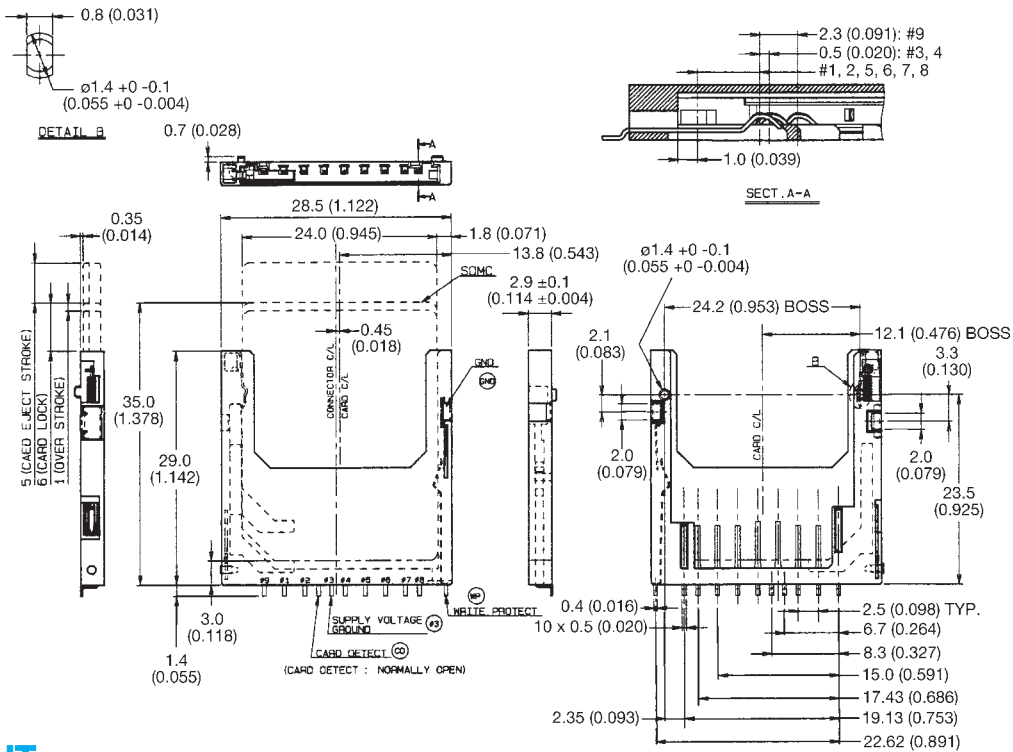


Secure Digital Memory Card Connectors

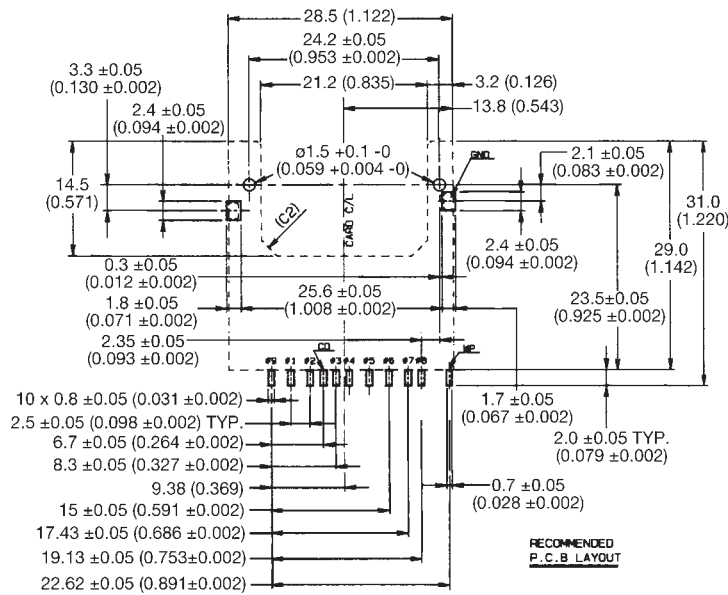


Series 5638 Spring Eject Type

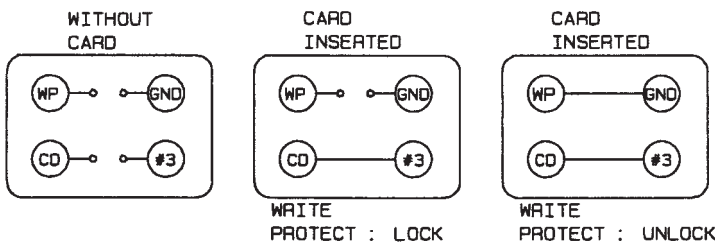
NORMAL



PCB LAYOUT



CIRCUIT



HOW TO ORDER

14 5638 009 511 862

250 pieces per Tape and Reel

