

**ebm-papst St. Georgen GmbH & Co. KG**

Hermann-Papst-Straße 1

D-78112 St. Georgen

Phone: +49(0)7724/81-0

Fax: +49(0)7724/81-1309

info2@de.ebmpapst.com

www.ebmpapst.com

**Nominal data**

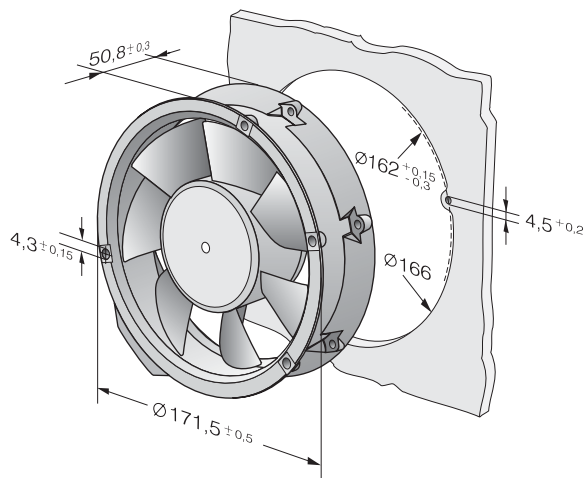
Type	6248 NTDI	
Nominal voltage	VDC	48
Nominal voltage range	VDC	40 .. 55
Speed	min <sup>-1</sup>	5100
Power input	W	50.0
Min. ambient temperature	°C	-20
Max. ambient temperature	°C	60
Air flow	m <sup>3</sup> /h	600
Sound power level	B	7.4
Sound pressure level	dB(A)	65

ml = max. load · me = max. efficiency · rfa = running at free air · cs = customer specs · cu = customer unit  
Subject to alterations

**Technical features**

<b>Dimensions</b>	172 Ø x 51 mm
<b>General description</b>	Particularly powerful DC fan with 3-phase EC drive and completely integrated operating electronics. For speed control regardless of load, with highly intelligent motor management and with power and speed reserves that create brand-new areas of application Temperature-controlled fan operation. NTC sensor integrated in fan.
<b>Connection line</b>	Connection with wire strands. Housing with grounding lug for screw M4 x 8 (TORX). With screws.
<b>Direction of rotation</b>	Left, looking at rotor, direction of rotation reversible
<b>Direction of air flow</b>	Air exhaust over bars
<b>Bearing</b>	Ball bearings
<b>Lifetime L10 at 40 °C</b>	70000 h
<b>Mass</b>	0.820 kg
<b>Housing material</b>	Metal
<b>Material of impeller</b>	Fiberglass-reinforced PA plastic
<b>Approval</b>	VDE, CSA, UL, CE

## Product drawing



## Charts: Air flow

