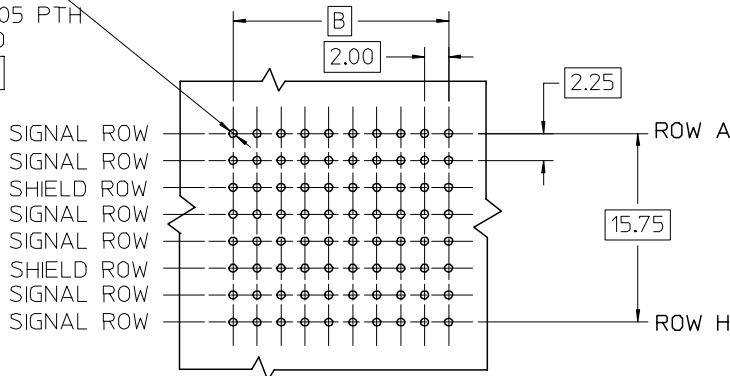
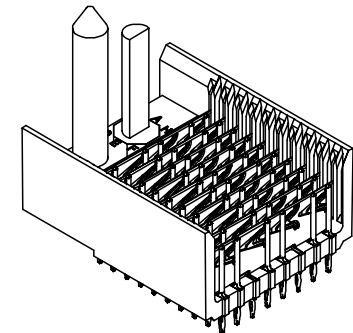


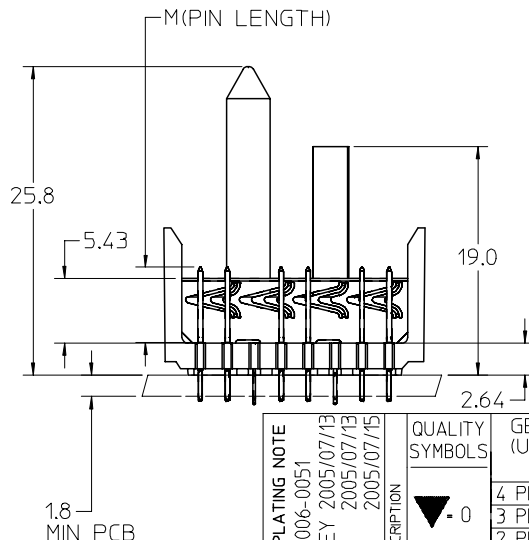
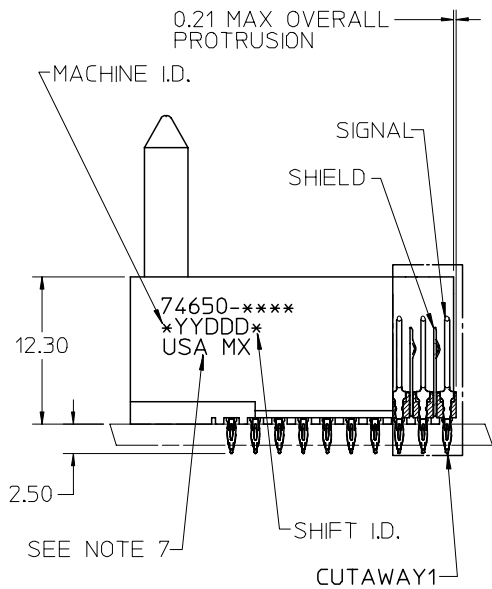
$\varnothing 0.66$  DRILL  
 $\varnothing 0.56 \pm 0.05$  PTH  
 $\varnothing 1.00$  PAD  
 $\varnothing 0.10$



BACKPLANE HOLE PATTERN  
RECOMMENDED DIMENSION



0.21 MAX OVERALL PROTRUSION



NOTES:

- MATERIAL: HOUSING -LIQUID CRYSTAL POLYMER (LCP) GLASS-FILLED. UL 94-0. COLOR BLACK. SIGNAL & SHIELD -HIGH PERFORMANCE COPPER ALLOY.
- FINISHES:  
CONTACT AREA: SELECTIVE GOLD (Au)  
PCB TAILS: SELECTIVE TIN/LEAD (Sn/Pb) OR SELECTIVE MATTE TIN (Sn) NICKEL (Ni) OVERALL.
- THIS PART CONFORMS TO MOLEX PRODUCT SPECIFICATION PS-74031-999.
- FOR MIXED CONTACT MATING LENGTHS CONSULT MOLEX FOR AVAILABILITY.
- FOR SPECIFIC PART NUMBER AND MATING INFORMATION REFER TO SHEET 2.
- PACKAGE PER PK-74061-003.
- EITHER MARK PART NUMBER AND DATE CODE APPROXIMATELY WHERE SHOWN OR PLACE LABEL ON THE TUBE.

REVISED - PLATING NOTE

EC NO: UCP2006-0051  
 DRW:KML/VEY 2005/07/13  
 CHKD: 2005/07/13  
 APPR: SREED 2005/07/15

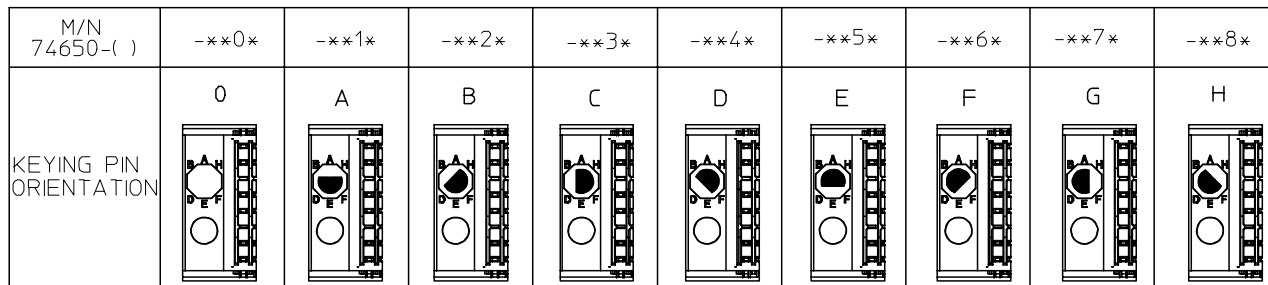
REV	DESCRIPTION	QUALITY SYMBOLS
0		$\nabla$ - 0
0		$\nabla$ - 0

GENERAL TOLERANCES (UNLESS SPECIFIED)	
	mm INCH
4 PLACES	$\pm$ --- $\pm$ ---
3 PLACES	$\pm$ --- $\pm$ ---
2 PLACES	$\pm$ --- $\pm$ ---
1 PLACE	$\pm$ --- $\pm$ ---
ANGULAR $\pm 1/2^\circ$	
DRAFT WHERE APPLICABLE	
MUST REMAIN WITHIN DIMENSIONS	

SCALE	DESIGN UNITS
2.5:1	METRIC
DIMENSION STYLE	
MM ONLY	
DRAWN BY	DATE
MQWANG	2001/05/21
CHECKED BY	DATE
JLAURX	2001/05/25
APPROVED BY	DATE
CBIXLER	2001/05/25

THIRD ANGLE PROJECTION	REVISE ON CAD ONLY
TITLE	
HSD SALES ASSEMBLY 8 ROW ADVANCED MATE SIGNAL END BACKPLANE	
MOLEX INCORPORATED	
MATERIAL NO.	DOCUMENT NO.
SEE SHEET 2	SD-74650-003
SHEET NO.	1 OF 2
THIS DRAWING CONTAINS INFORMATION THAT IS PROPRIETARY TO MOLEX INCORPORATED AND SHOULD NOT BE USED WITHOUT WRITTEN PERMISSION	

10 9 8 7 6 5 4 3 2 74650

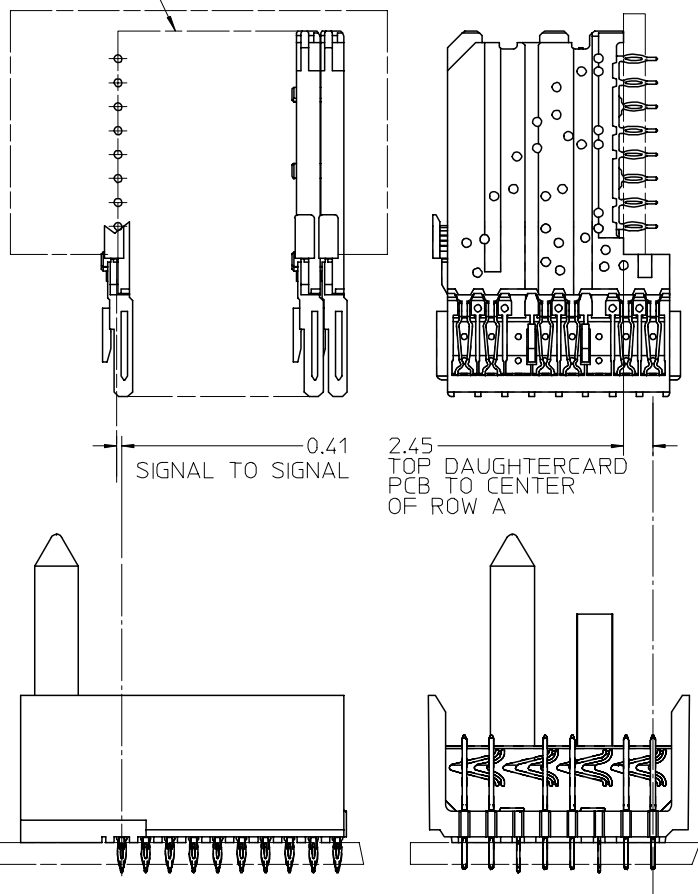


74650-\*\*\*\*

NUMBER OF COLUMNS/  
PLATING  
11=10 COLUMN TIN/LEAD  
26=25 COLUMN TIN/LEAD  
91=10 COLUMN MATTE TIN  
86=25 COLUMN MATTE TIN

CONTACT LOAD  
(PIN LENGTH)  
1 & 6 = 4.75  
2 & 7 = 6.25  
3 & 8 = 4.25  
4 & 9 = 5.15

DAUGHTERCARD  
CONNECTOR SIDE



PART NUMBER	COLUMN	NUMBER OF SIGNAL PINS	NUMBER OF SHIELDS	A	B	M	Au (um) MIN THICKNESS	Sn (um) THICKNESS
74650-1*1	10	60	10	27.00	18.00	4.75	0.76	0.76-152
74650-1*6							1.27	
74650-6*1	25	150	25	57.00	48.00		0.76	
74650-6*6							1.27	
74650-1*2	10	60	10	27.00	18.00	6.25	0.76	
74650-1*7							1.27	
74650-6*2	25	150	25	57.00	48.00		0.76	
74650-6*7							1.27	
74650-1*3	10	60	10	27.00	18.00	4.25	0.76	
74650-1*8							1.27	
74650-6*3	25	150	25	57.00	48.00		0.76	
74650-6*8							1.27	
74650-1*4	10	60	10	27.00	18.00	5.15	0.76	
74650-1*9							1.27	
74650-6*4	25	150	25	57.00	48.00		0.76	
74650-6*9							1.27	

SEE SHEET 1

EC NO: UCP2006-0051  
DRW: KMULVEY 2005/07/13  
CHKD: 2005/07/13  
APPR: SREED 2005/07/15

QUALITY SYMBOLS  
  
 0  
 0

GENERAL TOLERANCES (UNLESS SPECIFIED)

	mm	INCH
4 PLACES	± ---	± ---
3 PLACES	± ---	± ---
2 PLACES	± ---	± ---
1 PLACE	± ---	± ---

ANGULAR ±1/2°

DRAFT WHERE APPLICABLE  
MUST REMAIN WITHIN DIMENSIONS

SCALE 2.5:1  
DESIGN UNITS METRIC  
DIMENSION STYLE MM ONLY

DRAWN BY DATE  
MQWANG 2001/05/21

CHECKED BY DATE  
JLAURX 2001/05/25

APPROVED BY DATE  
CBIXLER 2001/05/25

THIRD ANGLE PROJECTION  
REVISE ON CAD ONLY

TITLE  
HSD SALES ASSEMBLY  
8 ROW ADVANCED MATE  
SIGNAL END BACKPLANE

MATERIAL NO. SEE TABLE  
DOCUMENT NO. SD-74650-003  
SHEET NO. 2 OF 2

MOLEX INCORPORATED

THIS DRAWING CONTAINS INFORMATION THAT IS PROPRIETARY TO MOLEX INCORPORATED AND SHOULD NOT BE USED WITHOUT WRITTEN PERMISSION