

PLEASE CHECK WWW.MOLEX.COM FOR LATEST PART INFORMATION

Part Number: [0395200010](#)
Status: **Active**
Description: 5.00mm (.197") Pitch Eurostyle™ Horizontal Plug, 10 Circuits

Documents:

[3D Model](#) [Product Specification PS-39500-001 \(PDF\)](#)
[Drawing \(PDF\)](#) [RoHS Certificate of Compliance \(PDF\)](#)

General

Product Family	Terminal Blocks
Series	39520
Application	Wire-to-Board
Component Type	Plug
Product Literature Order No	USA-355
Product Name	ESE, Eurostyle™ Pluggable
Type	Euro Block

Physical

Circuits (Loaded)	10
Entry Angle	Vertical
Lock to Mating Part	Yes
Number of Rows	1
Orientation	Horizontal
Panel Mount	No
Pitch - Mating Interface (in)	0.197 In
Pitch - Mating Interface (mm)	5.00 mm
Polarized to Mating Part	Yes
Stackable	No
Temperature Range - Operating	-40°C to +105°C
Wire Size AWG	12, 14, 16, 18, 20, 22, 24, 26
Wire Size mm²	0.13 - 3.31

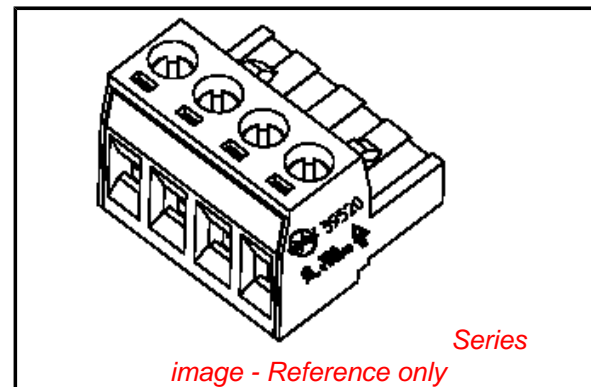
Electrical

Current - Maximum per Contact	15A
Voltage - Maximum	300V

Material Info

Reference - Drawing Numbers

Product Specification	PS-39500-001
Sales Drawing	SD-39520-001



EU RoHS

RoHS Compliant by Exemption
REACH SVHC
 Not Reviewed
Halogen-Free
Status
Not Reviewed

China RoHS



Need more information on product environmental compliance?

Email productcompliance@molex.com
 For a multiple part number RoHS Certificate of Compliance, [click here](#)

Please visit the [Contact Us](#) section for any non-product compliance questions.

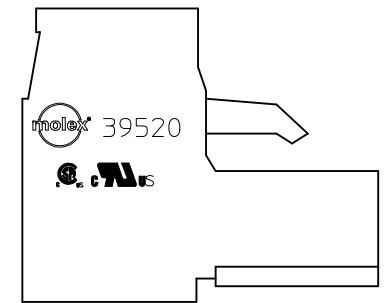
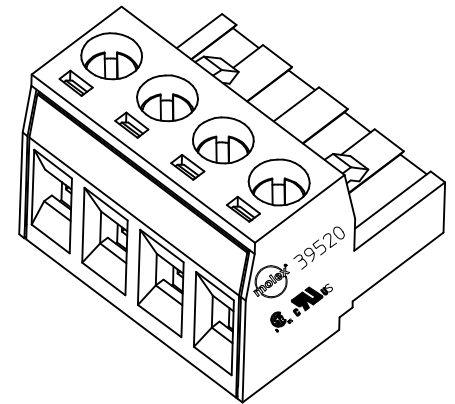
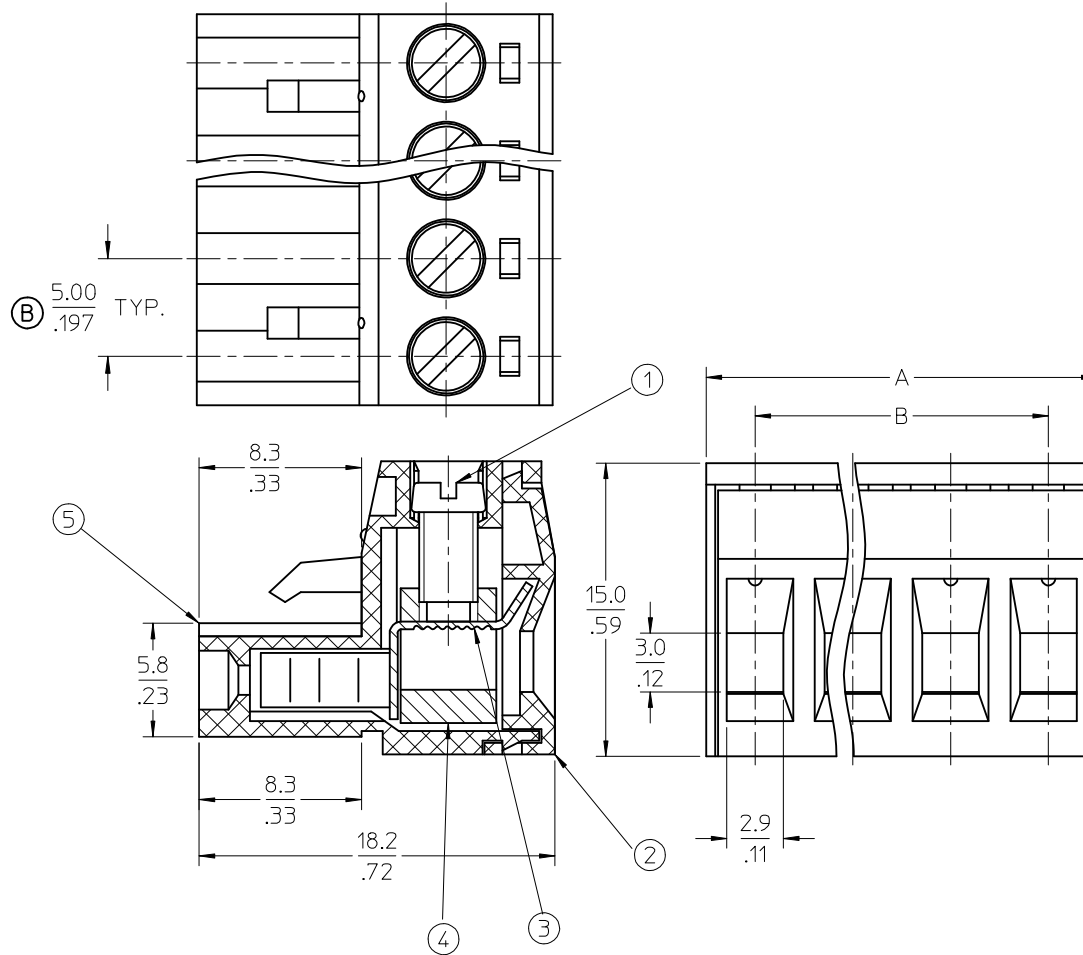
Search Parts in this Series

[39520Series](#)

Mates With

[39521](#) Vertical PCB Header, [39522](#) Horizontal PCB Header, Most 5.00mm (.197") Pitch Industry Standard PCB Headers, [39528](#) Dual Level PCB Header, Open Ends

10 9 8 7 6 5 4 3 2 1



SPECIFICATIONS:

1. MATERIAL:

- (1). SCREW: STEEL.
- (2). COVER: NYLON 66 (PA 66).
- (3). TERMINAL: PHOSPHOR BRONZE.
- (4). CAGE (*): BRASS
- (5). BODY: NYLON 66 (PA 66).

② **2. PRODUCT SPECIFICATION:** PS-39500-001.

3. WIRE RANGE: 30 - 12AWG.

4. WIRE STRIP LENGTH: 6.50/.256.

5. TORQUE: 5 in-lbs.

6. NUMBER OF CIRCUIT POSITIONS AVAILABLE = 2 THROUGH 24.

② **7. ASSEMBLY IS ROHS COMPLIANT BY EXEMPTION.**

COMPONENTS MARKED WITH AN ASTERISK (*) ARE ROHS COMPLIANT BY EXEMPTION, ALL OTHERS ARE ROHS COMPLIANT.

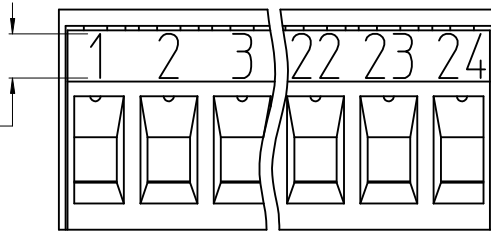
ADD IMPRINTING EC NO: WNA2009-0618 DRAWN: C. YORK 2009/04/29 CHKD: R. ROSS 2009/04/30 APPR: R. ROSS 2009/05/01	QUALITY SYMBOLS ▽=0 ▽=0	GENERAL TOLERANCES (UNLESS SPECIFIED)		DIMENSION STYLE MM/IN	SCALE 4:1	DESIGN UNITS INCH	THIRD ANGLE PROJECTION	
		4 PLACES ± --- ± .0015	DRAWN BY LROTHAUS	DATE 12/6/05	TITLE 5.00MM, EURO PLUG RIGHT ANGLE			
		3 PLACES ± 0.038 ± .005	CHECKED BY C. YORK	DATE 01/06/06				
		2 PLACES ± 0.13 ± .01	APPROVED BY J. PAWLICKI	DATE 01/10/06	Molex MOLEX INCORPORATED			
1 PLACE ± 0.3 ± ---	MATERIAL NO.		DOCUMENT NO. SD-39520-001	SHEET NO. 1 OF 2				
DRAFT WHERE APPLICABLE MUST REMAIN WITHIN DIMENSIONS		SEE CHART		THIS DRAWING CONTAINS INFORMATION THAT IS PROPRIETARY TO MOLEX INCORPORATED AND SHOULD NOT BE USED WITHOUT WRITTEN PERMISSION				

9 8 7 6 5 4 3 2 1

10 9 8 7 6 5 4 3 2 1

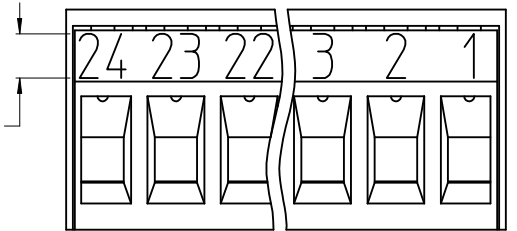
Circuit size	Material Numbers												Dimensional Information			
	Black						Green						Dim. A		Dim B	
	100% Tin			30 u" Gold			100% Tin			30 u" Gold			mm	inch	mm	inch
	Printing Options			Printing Options			Printing Options			Printing Options						
None	10A	11A	None	10A	11A	None	10A	11A	None	10A	11A					
2	395200002	395200102	395200202	395200502	395200602	395200702	395205002	395205102	395205202	395205502	395205602	395205702	10.00	0.394	5.00	0.197
3	395200003	395200103	395200203	395200503	395200603	395200703	395205003	395205103	395205203	395205503	395205603	395205703	15.00	0.591	10.00	0.394
4	395200004	395200104	395200204	395200504	395200604	395200704	395205004	395205104	395205204	395205504	395205604	395205704	20.00	0.787	15.00	0.591
5	395200005	395200105	395200205	395200505	395200605	395200705	395205005	395205105	395205205	395205505	395205605	395205705	25.00	0.984	20.00	0.787
6	395200006	395200106	395200206	395200506	395200606	395200706	395205006	395205106	395205206	395205506	395205606	395205706	30.00	1.181	25.00	0.984
7	395200007	395200107	395200207	395200507	395200607	395200707	395205007	395205107	395205207	395205507	395205607	395205707	35.00	1.378	30.00	1.181
8	395200008	395200108	395200208	395200508	395200608	395200708	395205008	395205108	395205208	395205508	395205608	395205708	40.00	1.575	35.00	1.378
9	395200009	395200109	395200209	395200509	395200609	395200709	395205009	395205109	395205209	395205509	395205609	395205709	45.00	1.772	40.00	1.575
10	395200010	395200110	395200210	395200510	395200610	395200710	395205010	395205110	395205210	395205510	395205610	395205710	50.00	1.969	45.00	1.772
11	395200011	395200111	395200211	395200511	395200611	395200711	395205011	395205111	395205211	395205511	395205611	395205711	55.00	2.165	50.00	1.969
12	395200012	395200112	395200212	395200512	395200612	395200712	395205012	395205112	395205212	395205512	395205612	395205712	60.00	2.362	55.00	2.165
13	395200013	395200113	395200213	395200513	395200613	395200713	395205013	395205113	395205213	395205513	395205613	395205713	65.00	2.559	60.00	2.362
14	395200014	395200114	395200214	395200514	395200614	395200714	395205014	395205114	395205214	395205514	395205614	395205714	70.00	2.756	65.00	2.559
15	395200015	395200115	395200215	395200515	395200615	395200715	395205015	395205115	395205215	395205515	395205615	395205715	75.00	2.953	70.00	2.756
16	395200016	395200116	395200216	395200516	395200616	395200716	395205016	395205116	395205216	395205516	395205616	395205716	80.00	3.150	75.00	2.953
17	395200017	395200117	395200217	395200517	395200617	395200717	395205017	395205117	395205217	395205517	395205617	395205717	85.00	3.346	80.00	3.150
18	395200018	395200118	395200218	395200518	395200618	395200718	395205018	395205118	395205218	395205518	395205618	395205718	90.00	3.543	85.00	3.346
19	395200019	395200119	395200219	395200519	395200619	395200719	395205019	395205119	395205219	395205519	395205619	395205719	95.00	3.740	90.00	3.543
20	395200020	395200120	395200220	395200520	395200620	395200720	395205020	395205120	395205220	395205520	395205620	395205720	100.00	3.937	95.00	3.740
21	395200021	395200121	395200221	395200521	395200621	395200721	395205021	395205121	395205221	395205521	395205621	395205721	105.00	4.134	100.00	3.937
22	395200022	395200122	395200222	395200522	395200622	395200722	395205022	395205122	395205222	395205522	395205622	395205722	110.00	4.331	105.00	4.134
23	395200023	395200123	395200223	395200523	395200623	395200723	395205023	395205123	395205223	395205523	395205623	395205723	115.00	4.528	110.00	4.331
24	395200024	395200124	395200224	395200524	395200624	395200724	395205024	395205124	395205224	395205524	395205624	395205724	120.00	4.724	115.00	4.528

3.0
.12 TYP.
CHARACTER
HEIGHT



Ⓟ 10A IMPRINTING

3.0
.12 TYP.
CHARACTER
HEIGHT



Ⓟ 11A IMPRINTING

SEE SHEET 1 EC NO: WNAZ009-0618 DRAWN BY: LROTHAUS CHKD: RDEROSS APPR: RDEROSS 2009/04/29 2009/04/30 2009/05/01	QUALITY SYMBOLS ▽=0 ▽=0	GENERAL TOLERANCES (UNLESS SPECIFIED) <table border="1"> <tr><th>mm</th><th>INCH</th></tr> <tr><td>4 PLACES ± ---</td><td>± .0015</td></tr> <tr><td>3 PLACES ± 0.038</td><td>± .005</td></tr> <tr><td>2 PLACES ± 0.13</td><td>± .01</td></tr> <tr><td>1 PLACE ± 0.3</td><td>± ---</td></tr> </table>	mm	INCH	4 PLACES ± ---	± .0015	3 PLACES ± 0.038	± .005	2 PLACES ± 0.13	± .01	1 PLACE ± 0.3	± ---	DIMENSION STYLE MM/IN	SCALE 3:1	DESIGN UNITS INCH	THIRD ANGLE PROJECTION
	mm	INCH														
	4 PLACES ± ---	± .0015														
	3 PLACES ± 0.038	± .005														
2 PLACES ± 0.13	± .01															
1 PLACE ± 0.3	± ---															
DRAWN BY: LROTHAUS DATE: 12/6/05 CHECKED BY: C. YORK DATE: 01/06/06 APPROVED BY: J. PAWLICKI DATE: 01/10/06	TITLE 5.00MM, EURO PLUG RIGHT ANGLE	MATERIAL NO. SEE CHART	DOCUMENT NO. SD-39520-001	SHEET NO. 2 OF 2												
DRAFT WHERE APPLICABLE MUST REMAIN WITHIN DIMENSIONS		THIS DRAWING CONTAINS INFORMATION THAT IS PROPRIETARY TO MOLEX INCORPORATED AND SHOULD NOT BE USED WITHOUT WRITTEN PERMISSION														

9 8 7 6 5 4 3 2 1